



EN	Operator's manual	2-15
BG	Ръководство за експлоатация	16-29
CS	Návod k použití	30-42
DA	Bruksanvisning	43-54
DE	Bedienungsanweisung	55-68
EL	Οδηγίες χρήσης	69-83
ES	Manual de usuario	84-96
ET	Kasutusjuhend	97-108
FI	Käyttöohje	109-121
FR	Manuel d'utilisation	122-135
HU	Használati utasítás	136-148
LT	Operatoriaus vadovas	149-160
LV	Lietošanas pamācība	161-173
NL	Gebruiksaanwijzing	174-186
NO	Bruksanvisning	187-198
PL	Instrukcja obsługi	199-212
PT	Manual do utilizador	213-226
RO	Instrucțiuni de utilizare	227-239
RU	Руководство по эксплуатации	240-254
SK	Návod na obsluhu	255-267
SL	Navodila za uporabo	268-279
SV	Bruksanvisning	280-291
TR	Kullanım kılavuzu	292-303
ZH	操作手册	304-313
EN-US	Operator's manual	314-321
FR-CA	Manuel d'utilisation	322-329
ES-MX	Manual de usuario	330-337
IT-US	Manuale dell'operatore	338-345



Contents

Introduction.....	2	Transportation, storage and disposal.....	10
Safety.....	3	Technical data.....	10
Operation.....	9	Declaration of Conformity.....	12
Maintenance.....	9		

Introduction

Product description

We have a policy of continuous product development and therefore reserve the right to modify the design and appearance of the products without prior notice.

Note: This manual cover both gasoline operated and battery operated power units.

Intended use

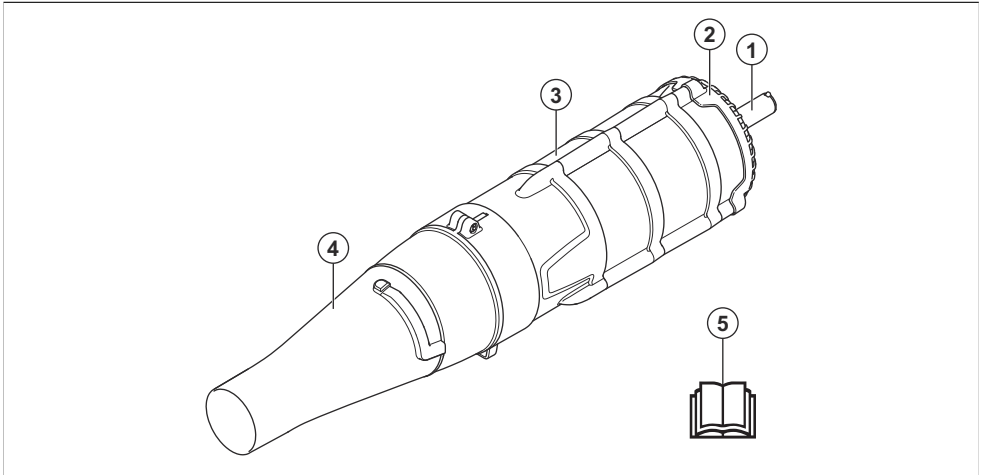


WARNING: This attachment may only be

used together with the intended power unit. See the accessory chapter in the Operator's manual for the power unit.

The attachment is only designed for blowing lawns, pathways, asphalt roads and the like.

Attachment overview



1. Shaft
2. Air intake screen
3. Fan housing
4. Air nozzle
5. Operator's manual

Symbols on the attachment and on the power unit



Careless or incorrect use of this attachment can result in serious or fatal injury to the operator or others.



Read the operator's manual carefully and make sure you understand the instructions before you use the attachment.



This attachment is in accordance with applicable EC directives.



This product conforms to applicable UK regulations.



Use approved hearing, eye and breathing protection.



Use approved protective gloves.



Noise emission to the environment according to the European Community's Directive. The attachment's emission is

specified in the Technical data chapter and on the label.



The blower operator must ensure that no people or animals come closer than 15 meters. When several operators are working at the same site a safety distance of at least 15 meters must be in effect. The blower can forcibly throw objects that can bounce back. This can result in serious eye injuries if the recommended safety equipment is not used.



The blower can forcibly throw objects that can bounce back. This can result in serious eye injuries if the recommended safety equipment is not used.



The operator of the product must ensure, while working, that no persons or animals come closer than 15 meters.



Severing of fingers or hand by fan blade. Do not open or remove the safety guards or nets while engine is running.

Note: Other symbols/decals on the attachment refer to special certification requirements for certain markets.

Safety

Safety definitions

Warnings, cautions and notes are used to point out specially important parts of the operator's manual.



WARNING: Used if there is a risk of injury or death for the operator or bystanders if the instructions in the manual are not obeyed.



CAUTION: Used if there is a risk of damage to the product and/or the attachment, other materials or the adjacent area if the instructions in the manual are not obeyed.

Note: Used to give more information that is necessary in a given situation.

General safety instructions



WARNING: Read the safety instructions that follow before you use the attachment.

- Please read the operator's manual carefully and make sure you understand the instructions before using the attachment.
- This Operator's manual should be read together with the Operator's manual for the power unit to get the complete user information.
- Under no circumstances may the design of the attachment be modified without the permission of the manufacturer. Do not use an attachment that appears to have been modified by others and always use original accessories. Non-authorized modifications and/or accessories can result in serious personal injury or the death of the operator or others.

Safety instructions for operation



WARNING: Read the warning instructions that follow before you use the product.



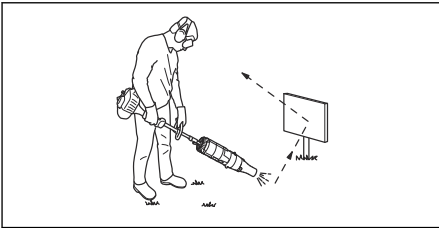
WARNING: This product produces an electromagnetic field during operation. This field may under some circumstances interfere with active or passive medical implants. To reduce the risk of serious or fatal injury, we recommend persons with medical implants to consult their physician and the medical implant manufacturer before operating this product.

- Never use the product if you are tired, if you are ill, if you have consumed alcohol, or if you are taking other drugs or medication that can affect your vision, judgement or co-ordination.
- Never use a product that is faulty.
- All covers and guards must be fitted before starting. If you have a gasoline operated product, ensure that the spark plug cap and ignition lead are undamaged to avoid the risk of electric shock.
- The blower operator must ensure that no people or animals come closer than

15 meters. When several operators are working at the same site a safety distance of at least 15 meters must be in effect.

- Never allow children to use the product.
- Never allow anyone else to use the product without first ensuring that they have read and understood the contents of the operator's manual.
- Never remove the air intake screen.
- Never touch the spark plug or ignition cable while the engine is running. Touching the spark plug or plug may result in being subjected to an electrical shock.
- Always contact local authorities and make sure you are following applicable directives.
- Keep all parts of your body away from hot surfaces.
- If you encounter a situation where you are uncertain how to proceed you should ask an expert. Contact your dealer or your service workshop. Avoid all usage which you consider to be beyond your capability.
- Hold the opening of the blower as close to the ground as possible. Utilize the entire length of the blow pipe to keep the air stream close to the ground.
- Use the machine during normal working hours to avoid unnecessary disturbance. Avoid working early in the morning or late at night.
- Be aware of your surroundings. If anyone approaches your work area, release the throttle/power trigger until the person is at a safe distance. Direct the blower away from people, animals, play areas, open windows and cars etc. The force of air can cause rocks, dirt or sticks to be thrown or to ricochet which can injure people or animals, break glass or cause other damage.
- Never put hands or other objects into blower housing to avoid serious injury from the rotating impeller.
- Keep outside surface free from oil and fuel.
- Never use for spreading chemicals, fertilizer or other substances which may contain toxic materials.
- To avoid spreading fire, do not use near leaf or brush fire, fireplaces, barbecue pits, ashtrays, etc.

- Never douse or squirt the attachment with water or any other liquid.
- Always use both hands to hold the machine. Hold the machine at the side of your body.
- If you have a gasoline operated product, allow the engine to cool before refueling.
- The powerful streams of air can move objects at such a speed that they can bounce back and cause serious eye injuries.

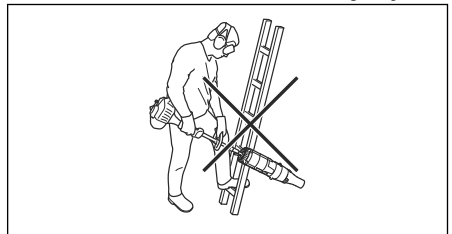


- Stop the engine/motor before assembling or dismantling accessories or other parts.
- Do not use the product in bad weather, such as dense fog, heavy rain, strong wind, intense cold, etc. Working in bad weather is tiring and can lead to dangerous conditions, e.g. slippery surfaces.
- Make sure you can move and stand safely. Check the area around you for possible obstacles (roots, rocks, branches, ditches, etc.)

in case you have to move suddenly. Take great care when working on sloping ground.



- Never put the product down with the engine/motor running unless you have it in clear sight.
- If you have a gasoline operated product, the engine exhaust fumes contain carbon monoxide, which can cause carbon monoxide poisoning. For this reason you should not start or run the product indoors, or anywhere that is poorly ventilated.
- The blower must not be used while on a ladder or scaffolding, or in high places (such as roofs). This work could result in severe injury.

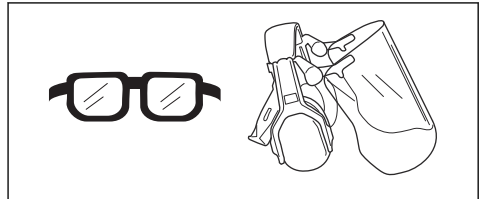


- Do not use the product unless you are able to call for help in the event of an accident.

- Never place any objects in air intake opening as this could restrict proper air flow and cause damage to the unit.
- Make sure that the product do not hit any fence, tree or other hard material. This could cause damage to the machine and lead to severe injury.
- Listen out for warning signals or shouts when you are wearing hearing protection. Always remove your hearing protection as soon as the engine/motor stops.

can result in permanent hearing impairment.

- Use approved eye protection. If you use a visor, you must also use approved protective goggles. Approved protective goggles must comply with the ANSI Z87.1 standard in the USAs or EN 166 in EU countries.



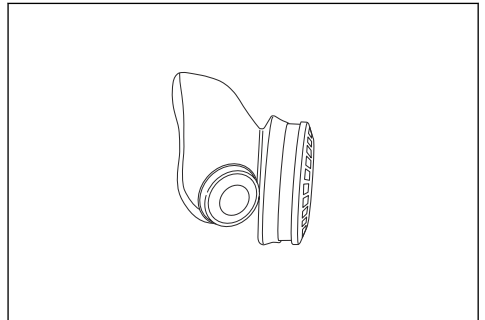
Personal protective equipment



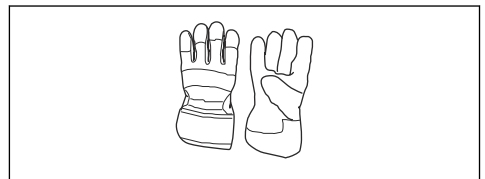
WARNING: Read the warning instructions that follow before you use the product.

- Always use approved personal protective equipment when you use the product. Personal protective equipment cannot fully prevent injury but it decreases the degree of injury if an accident does occur. Let your dealer help you select the right equipment.
- Use approved hearing protection that provides adequate noise reduction. Long-term exposure to noise

- Use breathing protection when there is a risk of dust.



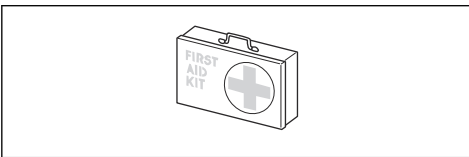
- Use gloves when necessary, for example when you attach, examine or clean the equipment.



- Use sturdy non-slip boots or shoes.



- Use clothing made of a strong fabric. Always use heavy, long pants and long sleeves. Do not use loose clothing that can catch on twigs and branches. Do not wear jewelry, short pants, sandals or go with bare feet. Put your hair up safely above shoulder level.
- Keep first aid equipment close at hand.



Carry out an overall inspection of the product before use. See the maintenance schedule.

Carry out the maintenance and service instructions described in this manual. Some maintenance and service measures must be carried out by trained and qualified specialists. See instructions under the Maintenance heading.

Always check for any objects that may block the air intake screen before beginning work.

In order to prevent damage due to falling of the product, assembly and dismantling should be conducted close to the ground surface.

Safety instructions for maintenance



WARNING: Read the warning instructions that follow before you operate the product.

Operation

To use the attachment

Note: Show consideration to persons in your surroundings by avoiding using the machine at unsuitable times, such as late in the evening or early in the morning. Reduce the noise levels by limiting the number of equipment units used simultaneously. Read through and follow the simple directions so that you disturb your surroundings as little as possible.

1. Use a rake or a brush to release rubbish stuck to the ground.
2. Clean corners by starting in corners and moving outward. This will help prevent an accumulation of debris which could fly into your face.
3. Use the blower with the lowest possible throttle/speed. It is seldom necessary to use full throttle/speed, and many work procedures can be done at half throttle/speed. A lower throttle/speed means less noise and less dust, and it is also easier to keep control over the rubbish collected together/moved.
4. Minimise the blowing time by lightly wetting dusty areas or using spray equipment.
5. Reduce water consumption by using blowers instead of water hoses for different applications around the lawn and garden, such as lattices, screens, grills, porches, etc.
6. Be careful when working near plants. The force of the air could damage tender plants.
7. The speed of the air jet is regulated by means of the throttle/power trigger. Select the speed best suited for respective tasks.
8. Be aware of the wind direction. Work with the wind to make your work easier.
9. Using the blower to move large piles is time consuming and creates unnecessary noise.
10. Keep a good balance and a firm foothold.
11. Keep clearance between the tube and ground to avoid contact with the ground when working with the product.
12. Clean up afterwards. Make sure that you have not blown rubbish into someone's garden. Dispose of debris in trash receptacle.
13. When work is finished the product should be stored horizontally.

Maintenance

Introduction

Below you will find some general maintenance instructions. If you need further information please contact your service workshop.

To perform daily maintenance on the attachment



WARNING: Always stop the engine/motor before you clean or do maintenance on the attachment. If you have a gasoline operated product, disconnect the ignition cable from the spark plug. If you have a battery operated product, remove the battery.

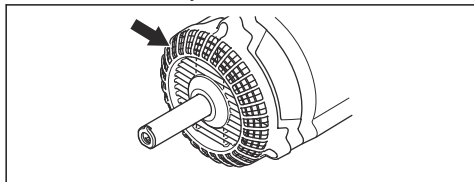


WARNING: Keep all parts of your body away from hot surfaces.

1. Clean the exterior surface of the blower.
2. Make sure that all the housing are free of cracks.
3. Make sure that the product is in perfect working order.
4. Make sure that all nuts and screws are tight.
5. Clean the labels using a damp cloth with a mild detergent.

To check the air intake screen

1. Check that the air intake is not blocked on all sides including the underside, for example, by leaves or rubbish. A clogged air intake reduces the product's blowing capacity and increases the working temperature of the engine/motor, which can result in engine/motor failure. Stop the engine/motor and remove the object.



Transportation, storage and disposal

Transport and storage

Perform the following steps after each use:

- Allow attachment to cool before storing or transporting.
- Store in a high, cool, dry, indoor area out of reach for children.

- Clean the unit.
- Inspect attachment for any loose or damage parts. Tighten any loose screws.
- Replace any damaged, worn or broken parts.
- At the beginning of the next season, use only fresh fuel having the proper petrol to oil ratio.

Seasonal storage

Prepare attachment for storage at end of season or if it will not be used for 30 days or more. If your blower attachment is to be stored for a period of time:

Technical data

Technical data for gasoline operated products

BA101	
Weight	
Weight, kg	1.9
Noise emissions	
Sound power level, measured dB (A)	109
Sound power level, guaranteed L_{WA} dB (A)	112
Sound levels ¹	
Equivalent sound pressure level at the operator's ear, measured according to EN15503 dB(A)	99

¹ The equivalent sound pressure level value is calculated with a work cycle of a duration of 1/7 for idling and 6/7 for racing. Reported data for equivalent sound pressure level for the machine has a typical statistical dispersion (standard deviation) of 1 dB(A).

BA101	
Vibration levels ²	
Equivalent vibration levels ($a_{hv,eq}$) at handles, measured according to EN 15503, m/s^2	
Front/rear handles:	5.6/8.3
Fan performance ³	
Max. air velocity with standard nozzle, m/s:	66
Air flow with standard nozzle, m^3/min	15

Technical data for battery operated products

325iLK + Blower attachment BA101	
Weight	
Weight, kg	2.3+1.9
Noise emissions ⁴	
Sound power level, measured dB (A)	103
Sound power level, guaranteed L_{WA} dB (A)	106
Sound levels ⁵	
Sound pressure level at the operator's ear, measured according to ISO 26868 dB(A)	
Equipped with approved accessory (original), dB (A)	93
Vibration levels ⁶	
Vibration levels at handles, measured according to EN 62841-1, m/s^2	
Equipped with approved accessory (original), left/right m/s	1.6/1.1
Fan performance ⁷	
Air flow in normal mode with standard nozzle, m^3/min	14
Maximum air velocity in normal mode with standard nozzle, m/s:	52

² The equivalent vibration level value is calculated with a work cycle of a duration of 1/7 for idling and 6/7 for racing. Reported data for equivalent vibration level has a typical statistical dispersion (standard deviation) of 1 m/s^2 .

³ Together with 525LK/GC2225C engine unit.

⁴ Noise emissions in the environment measured as sound power (L_{WA}) in conformity with EC directive 2000/14/EC. Reported sound power level for the machine has been measured with the original cutting attachment that gives the highest level. The difference between guaranteed and measured sound power is that the guaranteed sound power also includes dispersion in the measurement result and the variations between different machines of the same model according to Directive 2000/14/EC.

⁵ Reported data for sound pressure level for the machine has a typical statistical dispersion (standard deviation) of 3 dB (A) and has been measured with the original attachment that gives the highest level. Measured together with the 325iLK motor unit.

⁶ Reported data for vibration level has a typical statistical dispersion (standard deviation) of 2 m/s^2 . For comparison of vibrations levels, battery and combustion products use vibration calculator. refer to, <https://www.husqvarna.com/uk/services-solutions/vibration-calculator/>. Measured together with the 325iLK motor unit.

⁷ Measured together with the 325iLK motor unit.

Declaration of Conformity

EU Declaration of Conformity

We, **Husqvarna AB**, SE-561 82 Huskvarna, Sweden, tel: +46-36-146500, declare on our sole responsibility that the product:

Description	Blower attachment
Brand	Husqvarna
Type / Model	BA101
Identification	Serial numbers dating from 2022 and onwards

complies fully with the following EU directives and regulations:

Regulation	Description
2006/42/EC	"relating to machinery"
2000/14/EC	"relating to the noise emissions in the environment"
2011/65/EU	"on the restriction of the use of certain hazardous substances in electrical and electronic equipment"

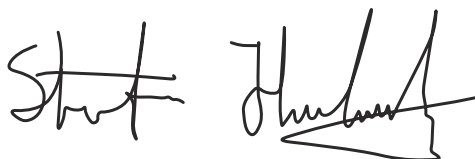
and that the following standards and/or technical specifications are applied: EN15503:2009+A2:2015, EN ISO 12100:2021, EN IEC 63000:2018.

RISE SMP Svensk Maskinprovning AB, Box 7035, SE-750 07 Uppsala, Sweden has performed voluntary type examination on behalf of Husqvarna AB.

Certificate number: SEC/15/2416 – Husqvarna BA101.

For information relating to noise emissions, refer to *Technical data on page 10*.

Huskvarna, 2022-05-09



Stefan Holmberg, R&D Director, Technology Management, Husqvarna AB

Responsible for technical documentation



UK Declaration of Conformity

We, **Husqvarna AB**, SE-561 82 Huskvarna, Sweden, tel: +46-36-146500, declare on our sole responsibility that the product:

Description	Blower attachment
Brand	Husqvarna
Type / Model	BA101
Identification	Serial numbers dating from 2022 and onwards

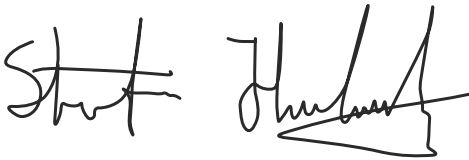
complies fully with the following UK directives and regulations:

Description
The Restriction of the Use of Certain Hazardous Substances in Electrical and Electronic Equipment Regulations 2012
The Noise Emission in the Environment by Equipment for use Outdoors Regulations 2001, schedule 9
Electromagnetic Compatibility Regulations 2016

and that the following standards and/or technical specifications are applied: EN15503:2009+A2:2015, EN ISO 12100:2021, EN IEC 63000:2018.

For information relating to noise emissions, refer to *Technical data on page 10*.

Husqvarna, 2022-05-09



Stefan Holmberg, R&D Director, Technology Management, Husqvarna AB

Responsible for technical documentation

**UK
CA**

UK Importer:
Husqvarna UK Ltd
Preston Road, Co. Durham
DL5 6UP

EU Declaration of Conformity

We, **Husqvarna AB**, SE-561 82 Huskvarna, Sweden, tel: +46-36-146500, declare on our sole responsibility that the product:

Description	Blower attachment with power unit Husqvarna 325iLK
Brand	Husqvarna
Type / Model	BA101
Identification	Serial numbers dating from 2022 and onwards

complies fully with the following EU directives and regulations:

Regulation	Description
2006/42/EC	"relating to machinery"
2000/14/EC	"relating to the noise emissions in the environment"
2011/65/EU	"on the restriction of the use of certain hazardous substances in electrical and electronic equipment"

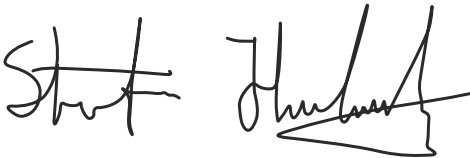
and that the following standards and/or technical specifications are applied: IEC 60335-2-100, EN IEC 63000:2018.

RISE SMP Svensk Maskinprovning AB, Box 7035, SE-750 07 Uppsala, Sweden has performed voluntary type examination on behalf of Husqvarna AB. Certificate number: SEC/15/2416 – Husqvarna BA101.

RISE SMP Svensk Maskinprovning AB, Box 7035, SE-750 07 Uppsala, Sweden has also verified agreement with the appendix V of the council's directive 2000/14/EG. Certificate number: 01/012/014.

For information relating to noise emissions, refer to *Technical data on page 10*.

Huskvarna, 2022-05-09



Stefan Holmberg, R&D Director, Technology Management, Husqvarna AB

Responsible for technical documentation



UK Declaration of Conformity

We, **Husqvarna AB**, SE-561 82 Huskvarna, Sweden, tel: +46-36-146500, declare on our sole responsibility that the product:

Description	Blower attachment with power unit Husqvarna 325iLK
Brand	Husqvarna
Type / Model	BA101
Identification	Serial numbers dating from 2022 and onwards

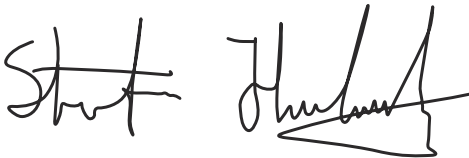
complies fully with the following UK directives and regulations:

Description
The Restriction of the Use of Certain Hazardous Substances in Electrical and Electronic Equipment Regulations 2012
The Noise Emission in the Environment by Equipment for use Outdoors Regulations 2001, schedule 9
Electromagnetic Compatibility Regulations 2016

and that the following standards and/or technical specifications are applied: IEC 60335-2-100, EN IEC 63000:2018.

For information relating to noise emissions, refer to *Technical data on page 10*.

Husqvarna, 2022-05-09



Stefan Holmberg, R&D Director, Technology Management, Husqvarna AB

Responsible for technical documentation

**UK
CA**

UK Importer:
Husqvarna UK Ltd
Preston Road, Co. Durham
DL5 6UP

Съдържание

Въведение.....	16	Транспортиране, съхранение и изхвърляне.....	26
Безопасност.....	18	Технически данни.....	26
Операция.....	24	Декларация за съответствие.....	28
Поддръжка.....	25		

Въведение

Описание на продукта

Ние имаме политика на непрекъснато развитие на своите продукти и затова запазваме правото си да променяме тяхната конструкция и външен вид без предизвестие.

Забележка: Това ръководство обхваща както бензинови, така и захранвани с акумулаторни батерии захранващи блокове.

Предназначение

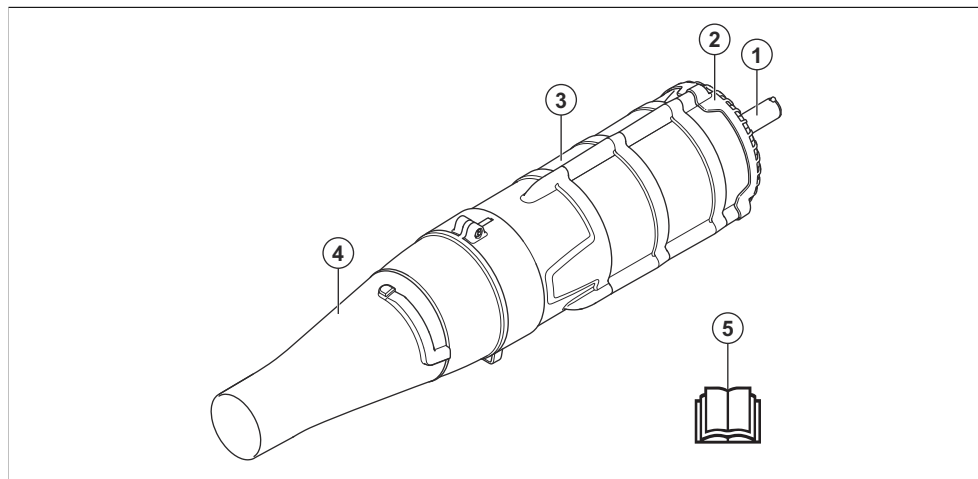


ПРЕДУПРЕЖДЕНИЕ: Тази приставка може да

се използва само с предназначения захранващ блок. Вижте главата за принадлежности в инструкцията за експлоатация за захранващия блок.

Приставката е предназначена само за използване в морави, пътеки, асфалтови пътища и подобни.

Общ преглед на приставка



1. Вал
2. Филтър на смукателния въздухопровод
3. Капак на вентилатора
4. Въздушна дюза
5. Ръководство за оператора

Символи върху приставката и захранващия блок



Невнимателното или неправилното използване на тази приставка може да доведе до сериозно или смъртоносно

нараняване на оператора или други лица.



Прочетете внимателно ръководството за оператора и се уверете, че разбирате инструкциите, преди да използвате приставката.



Тази приставка отговаря на изискванията на приложимите директиви на ЕО.



Този продукт съответства на приложимите регламенти на Обединеното кралство.



Използвайте одобрена защита на слуха, очите и дишането.



Използвайте одобрени защитни ръкавици.



Шумови емисии в околната среда в съответствие с Директивата на Европейската общност. Емисиите на приставката са посочени в раздела за технически характеристики и на етикета.



Операторът на моторната метла трябва да се увери, че хора или животни не се приближават на по-малко от 15 метра. Когато няколко оператора работят в един и същ обект, трябва да се спазва безопасно разстояние от поне 15 метра. Моторната метла може да изхвърли предмети с голяма сила, които да отскочат обратно. Това може да доведе до сериозни наранявания на очите, ако не се използват препоръчителните предпазни средства.



Моторната метла може да изхвърли предмети с голяма сила, които да отскочат обратно. Това може да доведе до сериозни наранявания на очите, ако не се използват препоръчителните предпазни средства.



По време на работа операторът на продукта трябва да увери, че лица или животни не се приближават на по-малко от 15 метра.



Отрязване на пръсти или на ръка от лопатката на вентилатора. Не отваряйте и не отстранявайте предпазителите или мрежите, когато двигателят работи.

Забележка: Останалите символи/стикери върху приставката се отнасят за специфични изисквания по отношение на сертификати за определени пазари.

Дефиниции за безопасност

Предупреждения, знаци за внимание и бележки се използват за указване на особено важни части на инструкцията за експлоатация.



ПРЕДУПРЕЖДЕНИЕ:

Използва се, ако има опасност от нараняване или смърт за оператора или за околните, ако не се спазват инструкциите в ръководството.



ВНИМАНИЕ: Използва се, ако има опасност от повреждане на продукта и/или приставката, други материали или съседната зона, ако не се спазват инструкциите в ръководството.

Забележка: Използва се за предоставяне на повече информация, която е необходима в дадена ситуация.

Общи инструкции за безопасност



ПРЕДУПРЕЖДЕНИЕ:

Прочетете следващите инструкции за безопасност, преди да използвате приставката.

- Прочетете внимателно ръководството за оператора и се уверете, че разбирате инструкциите, преди да използвате приставката.
- Тази инструкция за експлоатация трябва да се прочете заедно с инструкцията за експлоатация на хранящия блок, за да получите цялата потребителска информация.
- При никакви обстоятелства не бива да се нанасят модификации в първоначалната конструкция на приставката без разрешение от производителя. Не използвайте дадена приставка, когато се вижда, че е модифицирана от други лица, и винаги

използвайте оригинални принадлежности.
Неразрешени изменения и/или приспособления може да предизвикат сериозни телесни повреди или смъртта на оператора или други лица.

медицинския имплант, преди да започнат да работят с този продукт.

Инструкции за безопасност за работа



ПРЕДУПРЕЖДЕНИЕ:

Прочетете следващите предупредителни указания, преди да използвате продукта.



ПРЕДУПРЕЖДЕНИЕ:

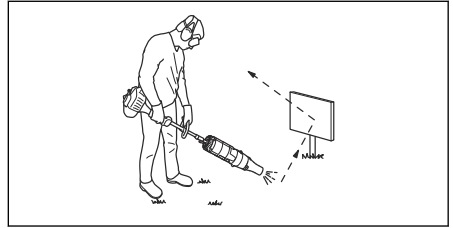
Тази машина създава електромагнитно поле по време на работа. При някои условия това поле може да интерферира с активни или пасивни медицински имплантанти. За да намалите риска от сериозно или смъртоносно нараняване, ние препоръчваме лицата с медицински импланти да говорят с лекаря си и производителя на

- Никога не използвайте продукта, ако сте уморени, ако сте болни, ако сте употребили алкохол или ако взимате лекарства, които влияят на зрението, преценката или координацията на движенията.
- Никога не използвайте продукт, който е неизправен.
- Всички капаци и предпазители трябва да са поставени преди стартиране. Ако имате продукт, който работи с бензин, проверете дали лулата на запалителната свещ и запалващият кабел са изправни, за да избегнете опасността от електрически удар.
- Операторът на компресорното оборудване трябва да се увери, че хора или животни не се приближават в радиус от 15 метра. Когато няколко оператора работят в един и същ обект, трябва да се спазва безопасно разстояние от поне 15 метра.

- Никога не позволявайте на деца да използват продукта.
- Не позволявайте никой друг да използва продукта, без първо да сте се уверили, че е прочел и разбрал съдържанието на инструкцията за експлоатация.
- Никога не вадете филтъра на смукателния въздухопровод.
- Никога не докосвайте запалителната свещ или запалителния кабел, докато двигателят работи. Докосването на проводника на свещта или проводника може да доведе до електрически удар.
- Винаги се обръщайте към местните органи на властта, за да се уверите, че не нарушавате някоя нормативна разпоредба.
- Пазете всички части на тялото си далеч от горещи повърхности.
- Ако се окажете в ситуация, в която сте неуверени как да постъпите, се консултирайте със специалист. Свържете се с дистрибутора или със сервиза. Избягвайте всяка употреба, за която се чувствате недостатъчно квалифицирани.
- Дръжте изходната тръба на метлата възможно най-близо до земята. Използвайте цялата дължина на въздушната тръба, за да държите въздушния поток близо до земята.
- Използвайте машината през стандартното работно време, за да избегнете ненужни смущения. Не работете рано сутрин или късно вечер.
- Внимавайте за околната среда. Ако някой наближи работната Ви зона, освободете газта/захранващия спусък, докато човекът мине на безопасно разстояние. Насочвайте компресорното оборудване настрана от хора, животни, площадки за игра, отворени прозорци и автомобили и др. Силата на въздуха може да изхвърли камъни, пръст или клони или те да рикошират, при което може да пострадат хора или животни, да бъдат счупени стъкла или да бъде причинена друга повреда.
- Никога не поставяйте ръка или предмети в корпуса на душалката, за да се избегне

сериозно нараняване от въртящия се ротор.

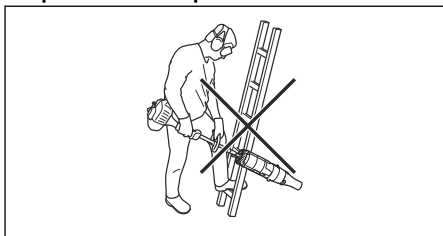
- Поддържайте външните повърхности чисти от масло и гориво.
- Не използвайте уреда за разпръскване на химикали, торове или други препарати, които може да съдържат токсични вещества.
- За да избегнете разпространяване на огън, не използвайте уреда в близост до запалени листа или храсти, огнища, места за барбекю, пепелници и др.
- Никога не потапяйте приставката във и не пръскайте с вода или друга течност.
- Винаги дръжте машината с две ръце. дръжте машината встрани от тялото си.
- Ако имате продукт, който работи с бензин, оставете двигателя да се охлади, преди да го презаредите.
- Мощните потоци от въздух могат да преместват предмети с такава скорост, че те да отскочат обратно и да причинят сериозни наранявания на очите.



- Спирайте двигателя/мотора, преди да монтирате или демонтирате принадлежности или други части.
- Не използвайте продукта в лошо време, като например при гъста мъгла, силен дъжд, силен вятър, при много ниски температури и т.н. Работата при лошо време е уморителна и може да доведе до опасни условия, напр. хлъзгави повърхности.
- Уверете се, че можете да ходите и да стоите безопасно. Проверете за евентуални препятствия (корени, камъни, храсти, канавки и т.н.), в случай че се наложи да се преместите внезапно. Бъдете много предпазливи при работа по наклонен терен.



- Никога не оставяйте продукта без надзор, докато двигателят/моторът работи.
- Ако имате продукт, който работи с бензин, отработените газове на двигателя съдържат въглероден окис, който може да предизвика отравяне с въглероден окис. По тази причина не стартирайте продукта на закрито или другаде, където има лоша вентилация.
- Не ползвайте вакуумпомпата, докато сте върху стълба, скеле или на други високи места (например покриви). Тази работа може да доведе до сериозно нараняване.



- Никога не работете с продукта, когато нямате възможност да повикате помощ в случай на злополука.
- Никога не поставяйте никакви предмети в отвора за поемане на въздух, тъй като това може да ограничи правилния поток въздух и

да причини повреда на уреда.

- Уверете се, че продуктът не се удря в огради, дървета или други твърди материали. Това може да причини повреда на машината и да доведе до сериозни наранявания.
- Бъдете винаги нащрек за предупредителни сигнали или подвиквания, когато използвате антифони. Винаги сваляйте антифоните незабавно след спиране на двигателя/мотора.

Лични предпазни средства



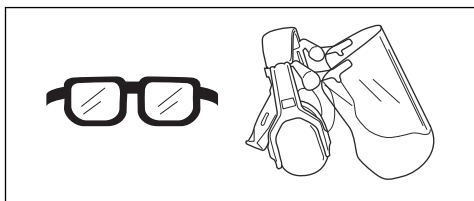
ПРЕДУПРЕЖДЕНИЕ:

Прочетете следващите предупредителни указания, преди да използвате продукта.

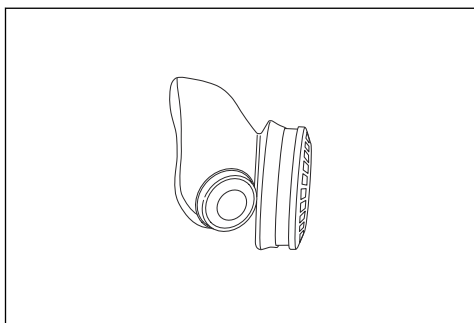
- При работа с продукта винаги използвайте одобрени лични предпазни средства. Личните предпазни средства не изключват изцяло риска от нараняване, но намаляват степента на нараняването при злополука. Нека вашият дилър Ви помогне да изберете подходящото оборудване.

- Използвайте одобрени антифони, осигуряващи подходящо намаляване на шума. Дълготрайното излагане на шум може да доведе до постоянно влошаване на слуха.

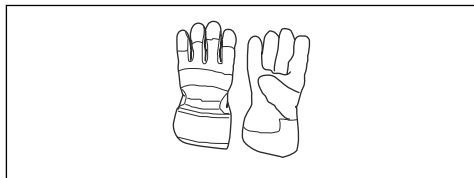
- Използвайте одобрени защитни средства за очите. Ако използвате маска, използвайте също и одобрени защитни очила. С одобрени защитни очила се има предвид такива, които отговарят на стандарт ANSI Z87.1 за САЩ или EN 166 за страните от ЕС.



- Използвайте средства за защита на дихателната система, когато има опасност от прах.



- Когато е необходимо, използвайте ръкавици, например когато закрепвате, проверявате или почиствате оборудването.

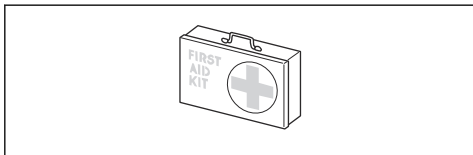


- Носете здрави ботуши или обувки, които не се хлъзгат.



- Използвайте дрехи, направени от здрава тъкан. Винаги използвайте здрави, дълги панталони и дълги ръкави. Не носете използвайте дрехи, които могат да се захванат за храсти и клони. Не носете бижута, къси панталони, сандали и не работете боси. Носете косата си безопасно над нивото на рамената.

- Дръжте в близост комплект за първа помощ.



Инструкции за безопасност при техническо обслужване



ПРЕДУПРЕЖДЕНИЕ:
Прочетете следващите предупредителни указания преди работа с продукта.

Извършете цялостна проверка на продукта преди употреба. Вижте графика за техническо обслужване.

Извършвайте описаните в това ръководство инструкции за поддръжка и сервиз. Определени операции по поддръжката и сервиза се извършват единствено от квалифицирани специалисти. Вижте указанията в раздел "Поддръжка".

Преди да започнете работа, винаги проверявайте за предмети, които може да блокират филтъра на смукателния въздухопровод.

За да предотвратите повреда, която се дължи на падане на продукта, монтирането и демонтирането трябва да се извършват близо до земната повърхност.

Операция

За използване на приставката

Забележка: Съобразявайте се с хората в околността, като избягвате работа с машината в неподходящи часове, като късно вечер или рано сутрин. Намалете нивото на шума, като ограничите броя на използваните едновременно машини. Прочетете внимателно и следвайте простите инструкции, за да притеснявате околните възможно най-малко.

1. Използвайте гребло или четка, за да отлепите боклуци, залепнали за земята.
2. Ъглите се почистват отвътре навън. Това ще спомогне за избягване на натрупването на остатъци, които могат да отхвъркнат към лицето Ви.

3. Използвайте компресорното оборудване с възможно най-малко газ/скорост. Рядко се налага да използвате пълна газ/скорост и много работни дейности могат да бъдат извършени с наполовина подадена газ/скорост. Използването на по-малко газ/скорост означава по-малко шум и прах и освен това прави по-лесно управляването на събрания/преместения боклук.
4. Намалете времето за използване, като леко намокрите пращните области или използвайте пръскащо оборудване.
5. Намалете консумацията на вода, като използвате компресорно оборудване вместо маркучи за вода за различните приложения в моравата и градината, като решетки, екрани, грилове, веранди и т.н.
6. Внимавайте, когато работите в близост до растения. Силата на въздушната струя може да повреди крехките растения.
7. Скоростта на въздушната струя се регулира посредством газта/захранващия спусък. Изберете скоростта, която е най-подходяща за съответните задачи.

8. Следете посоката на вятъра. Работете, като се съобразявате с вятъра, за да е по-лесна работата ви.
9. Използването на моторната метла за преместване на големи купчини е времеемко и създава излишен шум.
10. Пазете добро равновесие и стабилен строеж.
11. Поддържайте разстояние между тръбата и земята, за да избегнете контакт със земята, когато работите с продукта.
12. Почиствайте след употреба. Проверявайте дали не сте издухали боклуци в чужда градина. Изхвърляйте отпадъците в контейнер за смет.
13. Когато приключите работа, продуктът трябва да се съхранява хоризонтално.

Поддръжка

Въведение

По-долу са изложени някои общи инструкции за поддръжка. Ако ви е необходима допълнителна информация, се свържете с вашия сервиз.

За извършване на всекидневно техническо обслужване на приставката



ПРЕДУПРЕЖДЕНИЕ:

Винаги спирайте двигателя/мотора, преди да почиствате или да извършвате техническа поддръжка на приставката. Ако имате продукт, работещ с бензин, разкачете запалителния кабел от запалителната свещ. Ако имате продукт, работещ с акумулатор, извадете акумулатора.



ПРЕДУПРЕЖДЕНИЕ:

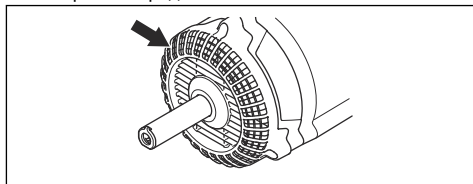
Пазете всички части

на тялото си далеч от горещи повърхности.

1. Почистете външните повърхности на дуалката.
2. Уверете се, че по целия корпус няма пукнатини.
3. Уверете се, че продуктът е в отлично работно състояние.
4. Уверете се, че всички гайки и винтове са затегнати.
5. Почистете уреда с помощта на влажна кърпа и мек почистващ препарат.

За проверка на филтъра на смукателния въздухопровод

1. Проверете от всички страни, включително отдолу, дали смукателният въздухопровод не е блокиран, например от листа или боклуци. Запушен смукателен въздухопровод намалява капацитета на издухване на продукта и увеличава работната температура на двигателя/мотора, което може да доведе до неизправност на двигателя/мотора. Спрете двигателя/мотора и отстранете предмета.



Транспортиране, съхранение и изхвърляне

Транспортиране и съхранение

След всяка употреба изпълнявайте следните стъпки:

- Оставете приспособлението да изстине, преди да го приберете на съхранение или транспортирате.
- Съхранявайте на високо, хладно, сухо място на закрито, далеч от обсега на деца.

СЕЗОННО СЪХРАНЕНИЕ

Подгответе приставката за съхранение след края на сезона или ако тя няма да се използва 30 дни или

повече. Ако духалката ви трябва да се прибере на съхранение за определен срок:

- Почистете уреда.
- Проверете приспособлението за разхлабени или повредени части. Затегнете всички разхлабени винтове.
- Заменете всички повредени, износени или повредени части.
- При започване на следващия сезон използвайте само ново гориво с необходимото съотношение на бензин и масло.

Технически данни

Технически данни за продукти, които работят с бензин

BA101	
Тегло	
Тегло, kg	1,9
Шумови емисии	
Ниво на звуковата мощност, измерена dB(A)	109
Ниво на звуковата мощност, гарантирана [L _{WA} dB(A)]	112
Нива на звука ⁸	
Еквивалентно ниво на звуковото налягане при ухото на оператора, измерено съгласно EN15503 dB(A)	99
Нива на вибрациите ⁹	
Еквивалентни нива на вибрации (a _{hν,eq}) при ръкохватките, измерени съгласно EN 15503, m/s ²	
Предна/задна ръкохватка:	5,6/8,3
Работа на вентилатора ¹⁰	
Максимална скорост на въздуха със стандартна дюза, m/s:	66
Въздушен поток със стандартен накрайник, m ³ /min	15

⁸ Еквивалентната стойност на нивото на звуковото налягане е изчислена с работен цикъл с продължителност 1/7 празен ход и 6/7 висока скорост. Отчетените данни за еквивалентното ниво на звуковото налягане за машината имат типична статистическа дисперсия (стандартно отклонение) от 1 dB(A).

⁹ Еквивалентната стойност на нивото на вибрации е изчислена при работен цикъл с продължителност 1/7 празен ход и 6/7 висока скорост. Отчетените данни за еквивалентното ниво на вибрациите имат типична статистическа дисперсия (стандартно отклонение) от 1 m/s².

¹⁰ Заедно с двигател 525LK/GC2225C.

Технически данни за продукти, които работят с акумулатор

325iLK + Blower attachment BA101	
Тегло	
Тегло, kg	2,3+1,9
Шумови емисии ¹¹	
Ниво на звуковата мощност, измерена dB(A)	103
Ниво на звуковата мощност, гарантирана [L _{WA} dB(A)]	106
Нива на шума ¹²	
Ниво на звуковото налягане при ухото на оператора, измерено съгласно ISO 26868, dB (A):	
Оборудван с одобрени приспособления (оригинална), dB (A)	93
Нива на вибрациите ¹³	
Нива на вибрациите в ръкохватките, измерени съгласно EN 62841-1, m/s ²	
Оборудвана с одобрено приспособление (оригинално), ляво/дясно m/s	1,6/1,1
Работа на вентилатора ¹⁴	
Въздушен поток със стандартен накрайник, m ³ /min	14
Максимална скорост на въздуха в нормален режим със стандартен накрайник, m/s:	52

¹¹ Шумови емисии в околната среда, измерени като звукова мощност (L_{WA}) в съответствие с директива на ЕО 2000/14/ЕО. Отчетените нива на шума за машината са измерени с оригиналното режещо оборудване, което дава най-високото ниво. Разликата между гарантираното и измереното ниво на шума е в това, че гарантираното ниво на шума включва също и дисперсията в резултатите от измерването, както и вариациите между различните машини от един и същи модел в съответствие с Директива 2000/14/ЕО.

¹² Отчетените данни за ниво на звуково налягане за машината имат типична статистическа дисперсия (стандартно отклонение) от 3 dB (A) и е измерено с оригинално оборудване, което осигурява най-високото ниво. Измерено заедно с мотора 325iLK.

¹³ Отчетените данни за равнището на вибрации имат типична статистическа дисперсия (стандартно отклонение) от 2 m/s². За сравняване на нивата на вибрациите, акумулаторната батерия и продуктите с вътрешно горене използвайте калкулатора за вибрации. Направете справка с <https://www.husqvarna.com/uk/services-solutions/vibration-calculator/>. Измерено заедно с мотора 325iLK.

¹⁴ Измерено заедно с мотора 325iLK.

Декларация за съответствие

Декларация за съответствие на ЕС

Ние, **Husqvarna AB**, SE-561 82 Huskvarna, Швеция,
тел.: +46-36-146500, декларираме на своя собствена
отговорност, че продуктът:

Описание	Моторна метла
Марка	Husqvarna
Тип/модел	BA101
Идентификация	Серийни номера от 2022 и нататък

отговаря напълно на следните директиви и
регламенти на ЕС:

Регламент	Описание
2006/42/EO	"относно машините"
2000/14/EO	"относно шумовите емисии в околната среда"
2011/65/EC	"по отношение на ограничението за използване на определени опасни вещества в електрическо и електронно оборудване"

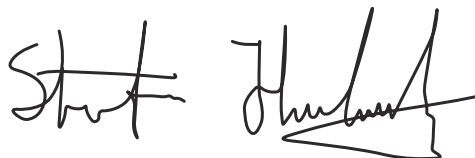
и че следните стандарти и/или
технически спецификации са приложени:
EN15503:2009+A2:2015, EN ISO 12100:2021, EN IEC
63000:2018.

RISE SMP Svensk Maskinprovning AB, Box 7035,
SE-750 07 Uppsala, Sweden, извърши доброволно
изпитване на типа от името на Husqvarna AB.

Номер на сертификат: SEC/15/2416 – Husqvarna
BA101.

За информация относно шумови емисии направете
справка с *Технически данни на страница 26*.

Huskvarna, 2022-05-09



Стефан Холмберг, директор по развойна дейност,
управление на технологиите, Husqvarna AB

Отговорен за техническата документация



141400, Московская обл., Г. Химки, ул. Ленинградская,
владение 39, строение 6, здание II этаж 4, помещение
OB02_04,
телефон горячей линии 8-800-200-1689

Декларация за съответствие на ЕС

Ние, **Husqvarna AB**, SE-561 82 Huskvarna, Швеция,
тел.: +46-36-146500, декларираме на своя собствена
отговорност, че продуктът:

Описание	Моторна метла със захранващ блок Husqvarna 325iLK
Марка	Husqvarna
Тип/модел	BA101
Идентификация	Серийни номера от 2022 и нататък

отговаря напълно на следните директиви и
регламенти на ЕС:

Регламент	Описание
2006/42/ЕО	"относно машините"
2000/14/ЕО	"относно шумовите емисии в околната среда"
2011/65/ЕС	"по отношение на ограничението за използване на определени опасни вещества в електрическо и електронно оборудване"

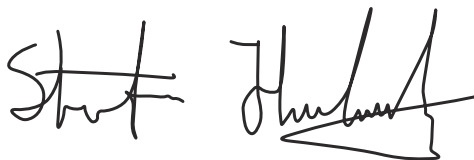
и че следните стандарти и/или технически
спецификации са приложени: IEC 60335-2-100, EN
IEC 63000:2018.

RISE SMP Svensk Maskinprovning AB, Box 7035,
SE-750 07 Uppsala, Sweden, извърши доброволно
изпитване на типа от името на Husqvarna AB. Номер
на сертификата: SEC/15/2416 – Husqvarna BA101.

RISE SMP Svensk Maskinprovning AB, Box 7035,
SE-750 07 Uppsala, Sweden, има и потвърдено
съответствие с приложение V от директива
на съвета 2000/14/ЕО. Номер на сертификата:
01/012/014.

За информация относно шумови емисии направете
справка с *Технически данни на страница 26*.

Husqvarna, 2022-05-09



Стефан Холмберг, директор по развойна дейност,
управление на технологиите, Husqvarna AB

Отговорен за техническата документация



141400, Московская обл., Г. Химки, ул. Ленинградская,
владение 39, строение 6, здание II этаж 4, помещение
OB02_04,
телефон горячей линии 8-800-200-1689

Obsah

Úvod.....	30	Přeprava, skladování a likvidace.....	38
Bezpečnost.....	31	Technické údaje.....	38
Provoz.....	37	Prohlášení o shodě.....	41
Údržba.....	37		

Úvod

Popis výrobku

Řídíme se strategií neustálého vývoje výrobku, a proto si vyhrazujeme právo měnit konstrukci a vzhled výrobků bez předchozího upozornění.

Povšimněte si: Tento návod pokrývá pohonné jednotky poháněné benzínem i baterií.

Zamýšlené použití

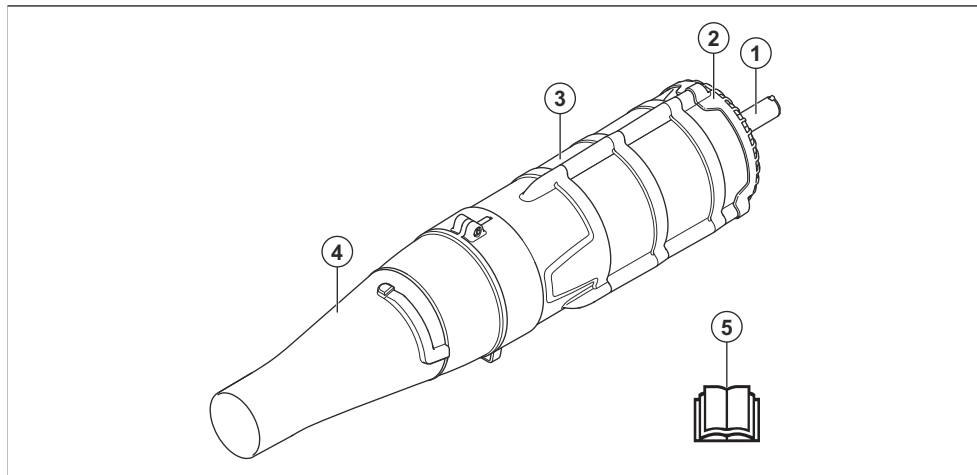


VÝSTRAHA: Tento nástavec lze používat

pouze společně se zamýšlenou pohonnou jednotkou. Informace o pohonné jednotce naleznete v kapitole Příslušenství v návodu k používání.

Nástavec je určen pouze pro úklid trávníků, chodníků, asfaltových cest a podobných povrchů.

Přehled nástavce



1. Hřídel
2. Sítko nasávaného vzduchu
3. Kryt ventilátoru
4. Vzduchová tryska
5. Návod k použití

Symbole na nástavci a pohonné jednotce



Nepozorné nebo nesprávné používání nástavce může vést k vážnému nebo smrtelnému zranění uživatele nebo dalších osob.



Pozorně si přečtete tento návod k používání a předtím, než nástavec začnete používat, se přesvědčte o tom, že pokynům rozumíte.



Foukač může velkou silou odmrštit předměty, které se mohou odrazit zpět. Pokud nepoužíváte doporučené ochranné prostředky, může dojít k vážnému poranění očí.



Tento nástavec vyhovuje platným směrnici ES.



Tento výrobek vyhovuje platným předpisům Spojeného království.



Použijte schválenou ochranu sluchu, očí a dýchacích cest.



Použijte schválené ochranné rukavice.



Emise hluku do okolí dle směrnice Evropského společenství. Emise nástavce jsou uvedeny v kapitole Technické údaje a na štítku.



Obsluha foukače musí zajistit, aby se v okruhu 15 metrů nepohybovali lidé ani zvířata. Pokud pracuje několik pracovníků na stejném místě, musí být dodržována bezpečná vzdálenost rozestupů minimálně 15 metrů. Foukač může velkou silou odmrštit předměty, které se mohou odrazit zpět. Pokud nepoužíváte doporučené ochranné prostředky, může dojít k vážnému poranění očí.



Uživatel výrobku je povinen dohlédnout na to, aby se během práce nevyskytovala žádná osoba nebo zvíře v okruhu 15 metrů od stroje.



Vážný úraz prstů nebo ruky způsobený lopatkou ventilátoru. Neotevírejte ani nedemontujte bezpečnostní kryty a síťka, když je motor v chodu.

Povšimněte si: Další symboly/štítky na nástavci se týkají zvláštních certifikačních požadavků pro určité obchodní trhy.

Bezpečnost

Definice týkající se bezpečnosti

Varování, upozornění a poznámky slouží jako upozornění na specifické důležité části návodu k používání.



VÝSTRAHA: Používá se v případě nebezpečí úrazu nebo usmrcení obsluhy nebo okolních osob, pokud nejsou dodrženy pokyny uvedené v této příručce.



VAROVÁNÍ: Používá se v případě nebezpečí poškození výrobku nebo nástavce, dalších materiálů či škod na majetku v blízkém okolí, pokud nejsou dodrženy pokyny uvedené v této příručce.

nástavec, pokud se vám zdá, že jej někdo upravil, a vždy používejte originální příslušenství. Nepovolené úpravy a/nebo příslušenství může vést k vážnému nebo smrtelnému zranění obsluhy nebo jiných osob.

Bezpečnostní pokyny pro provoz

Povšimněte si: Používá se k poskytnutí dalších informací, které jsou nezbytné v dané situaci.



VÝSTRAHA: Před použitím výrobku si přečtěte následující varování.

Obecné bezpečnostní pokyny



VÝSTRAHA: Před použitím nástavce si přečtěte následující bezpečnostní pokyny.



VÝSTRAHA: Tento výrobek vytváří během provozu elektromagnetické pole. Toto pole může za určitých okolností narušovat funkci aktivních či pasivních implantovaných lékařských přístrojů. Za účelem snížení rizika možného zranění nebo smrtelného úrazu doporučujeme osobám s implantovanými lékařskými přístroji poradit se před použitím výrobku s lékařem a s výrobcem

- Přečtěte si pozorně tento návod k používání a nepoužívejte nástavec, pokud mu zcela nerozumíte.
- Pro získání kompletních informací o používání je nutné si spolu s tímto návodem k používání přečíst návod k používání pohonné jednotky.
- Konstrukce nástavce nesmí být za žádných okolností upravována bez svolení výrobce. Nepoužívejte

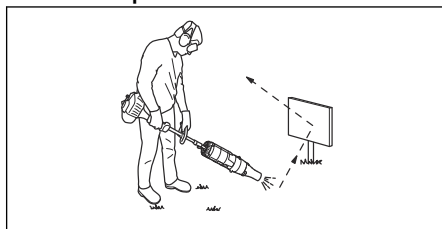
implantovaného lékařského přístroje.

- Nikdy nepoužívejte výrobek, když jste unavení, nemocní, jestliže jste požili alkohol nebo jestliže užíváte léky, které by mohly ovlivnit váš zrak, úsudek nebo pohybovou koordinaci.
- Nikdy nepoužívejte produkt, který není zcela v pořádku.
- Všechny kryty a ochranné kryty musí být před zahájením práce upevněny. Používáte-li výrobek poháněný benzínem, kontrolujte, zda nejsou koncovka kabelu zapalovací svíčky a kabel zapalování poškozené, aby se zabránilo nebezpečí úrazu elektrickým proudem.
- Obsluha foukače musí zajistit, aby se v okruhu 15 metrů nepohybovali lidé ani zvířata. Pokud pracuje několik pracovníků na stejném místě, musí být dodržována bezpečná vzdálenost rozestupů minimálně 15 metrů.
- Nedovolte dětem používat výrobek.
- Nedovolte pracovat s produktem nikomu, kdo si předem nepřečetl a neporozuměl obsahu návodu k použití.
- Nikdy nesundávejte sítko nasávaného vzduchu.
- Pokud motor běží, nikdy se nedotýkejte zapalovací svíčky nebo zapalovacího kabelu. Kontakt se zapalovací svíčkou či její objímkou může způsobit úraz elektrickým proudem.
- Vždy se spojte s místními úřady a zkontrolujte, zda postupujete dle příslušných předpisů.
- Všechny části těla udržujte mimo dosah horkých povrchů.
- Dostanete-li se do situace, kdy pocítíte jakoukoliv pochybnost co do práce s vybavením, požádejte o radu odborníka. Spojte se s vaším prodejcem nebo servisem. Nepoužívejte vybavení, necítíte-li se dostatečně kvalifikováni.
- Ústí trubice foukače držte co možná nejbliže nad zemí. Využijte celou délku foukací trubky, abyste udrželi proud vzduchu co nejbliže u země.
- Používejte stroj během normální pracovní doby, abyste nerušili ostatní. Nepracujte brzy ráno nebo pozdě večer.

- Dávejte pozor na své okolí. Pokud se někdo přiblíží k vaší pracovní oblasti, uvolněte plyn/páčku spínače, dokud dotyčná osoba neodstoupí do bezpečné vzdálenosti. Foukač vždy směřujte pryč do lidí, zvířat, dětských hřišť, otevřených oken, aut atd. Vzduch pod tlakem může odmrstit kamínky, hlínu a klacíky, které mohou způsobit zranění osob nebo zvířat, rozbití skla nebo jiné škody.
- Nikdy nevkládejte ruce ani jiné předměty do skříně foukače. Rotující ventilátor může způsobit vážné zranění.
- Udržujte vnější povrch čistý, bez přítomnosti oleje a paliva.
- Nikdy stroj nepoužívejte k rozptýlení chemikálií, hnojiv nebo přípravků, které mohou obsahovat toxické látky.
- V zájmu protipožární ochrany stroj nepoužívejte v blízkosti hořícího listí, dřeva, krbů, ohnišť, popelníků apod.
- Na nástavec nelijte ani nestříkejte vodu ani jiné kapaliny.
- K přidržování stroje vždy používejte obě ruce. Stroj držte po straně svého těla.
- Používáte-li výrobek poháněný benzínem, nechte

motor před doplňováním paliva vychladnout.

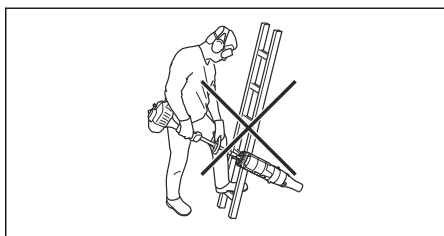
- Silný proud vzduchu může uvést odklizené předměty do pohybu takovou rychlostí, že se mohou odrazit zpět a vážně poškodit oči.



- Před montáží nebo demontáží příslušenství vždy vypněte motor.
- Nepoužívejte výrobek za špatného počasí, jako např. v husté mlze, prudkém dešti, silném větru, silném mrazu apod. Práce za špatného počasí je namáhavá a může vést k nebezpečným okolnostem, např. ke kluzkému podloží.
- Ujistěte se, že se můžete volně pohybovat a bezpečně stát. Zkontrolujte, zda ve vašem bezprostředním okolí nejsou nějaké překážky (kořeny, kameny, větve, jámy, příkopy apod.), pro případ, že by bylo nutné se rychle přesunout. Zvláštní pozornost věnujte práci ve svažitém terénu.



- Nikdy neodkládejte výrobek, který je v chodu, pokud jej nemáte plně pod dohledem.
- Používáte-li výrobek poháněný benzínem, výfukové plyny motoru obsahují oxid uhelnatý, který může způsobit otravu. Z tohoto důvodu výrobek nikdy nespustíte nebo s ním nepracujete v uzavřených prostorách nebo na místech s nedostatečnou ventilací.
- Foukač nesmí být používán na žebříku či lešení nebo ve výškách (například na střechách). Takové používání by mohlo způsobit vážné zranění.



- Nikdy nepracujete s výrobkem, nemáte-li možnost přivolat pomoc v případě nehody.
- Nikdy nevkládejte žádné předměty do otvoru přívodu vzduchu. Mohlo by dojít

k omezení průtoku vzduchu s následným poškozením jednotky.

- Dejte pozor, aby výrobek nenarazil do plotu, stromu nebo jiného tvrdého objektu. Mohlo by dojít k poškození stroje a vážnému zranění.
- Používáte-li ochranu sluchu, vždy je nutné dávat pozor na výstražné signály nebo volání. Ochranu sluchu sejměte vždy ihned po zastavení motoru.

Osobní ochranné prostředky

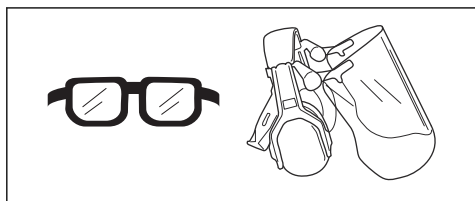


VÝSTRAHA: Před použitím výrobku si přečtěte následující varování.

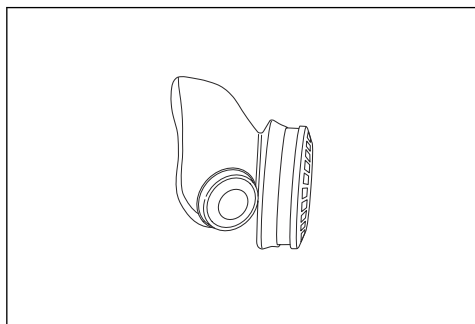
- Při použití výrobku je nutné vždy používat schválené osobní ochranné prostředky. Osobní ochranné prostředky nemohou zcela eliminovat nebezpečí úrazu, ale v případě nehody pomáhají snížit míru poranění. Požádejte prodejce, aby vám pomohl vybrat správné vybavení.
- Použijte schválenou ochranu sluchu s dostatečným tlumícím účinkem. Dlouhodobé vystavování

působení hluku může vést k trvalému poškození sluchu.

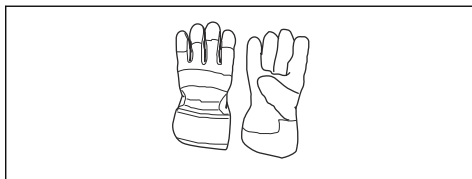
- Vždy používejte schválenou ochranu očí. Použijete-li štít, je nutno použít i schválené ochranné brýle. Schválené ochranné brýle musí být v souladu s normou ANSI Z87.1 v USA nebo EN 166 v zemích EU.



- Pokud hrozí nebezpečí vdechování prachu, používejte ochranu dýchacích cest.



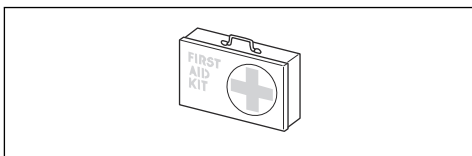
- Při určitých činnostech používejte rukavice, například při nasazování, kontrole nebo čištění zařízení.



- Používejte pevnou, protiskluzovou obuv.



- Noste oblečení vyrobené z pevné tkaniny. Vždy používejte silné, dlouhé kalhoty a dlouhé rukávy. Nepoužívejte volné oblečení, které se může zachytit o keře nebo větve. Nepoužívejte šperky, krátké kalhoty nebo sandály a nepracujte bosí. Stáhněte si vlasy bezpečně nahoru nad úroveň ramen.
- Mějte při ruce lékárničku.



Bezpečnostní pokyny pro údržbu



VÝSTRAHA: Před použitím výrobku si

přečtete následující
varování.

Před použitím důkladně zkontrolujte celý výrobek. Viz plán údržby.

Provádějte údržbu a servis podle pokynů v tomto návodu. Některé úkony údržby a opravy mohou provádět pouze vyškolení a kvalifikovaní

odborníci. Viz pokyny v části Údržba.

Před zahájením práce vždy zkontrolujte, zda není sítko nasávaného vzduchu blokováno cizími předměty.

Abyste předešli poškození způsobenému pádem produktu, veškeré montáže provádějte nízko nad zemí.

Provoz

Použití nástavce

Povšimněte si: Buďte ohleduplní ke svému okolí a nepoužívejte stroj v nevhodném čase jako je pozdě večer nebo velmi brzo ráno. Snižte úroveň hluku omezením počtu současně používaných zařízení. Pročtěte si a postupujte dle níže uvedených jednoduchých pravidel, abyste rušili vaše okolo co možná nejméně.

1. Nečistoty zašlapané do země nejdříve uvolněte hráběmi nebo koštětem.
2. Začněte čištěním rohu a postupujte se směrem ven. Tímto způsobem zabráníte nahromadění nečistot, které by vám mohly vletět do obličeje.
3. Používejte foukač s co možná nejméně stisknutou páčkou plynu. Plný plyn je používán málokdy a většinu práce lze provádět s plynem v poloviční poloze. Méně plynu znamená méně hluku a prachu. Sfoukávané a přesouvané smetí také budete mít snáz pod kontrolou.
4. Zkraťte dobu foukání na minimum tím, že mírně navlhčíte prašné oblasti nebo použijete postřikovací zařízení.

5. Spotřebu vody snížíte tím, že použijete foukač místo hadice s vodou. S foukačem lze na zahradě čistit také např. mříže, zástěny, rošty či verandy.
6. Při práci v blízkosti rostlin buďte opatrní. Vzduch pod tlakem by mohl poškodit choulostivé rostliny.
7. Rychlost proudu vzduchu je regulována pomocí plynu/páčky spínače. Vždy používejte takovou rychlost vzduchu, která odpovídá určenému úkolu.
8. Při práci dbejte na směr větru. Vždy pracuje po směru větru, usnadní vám to práci.
9. Používání foukače pro přemísťování velké hromady např. listů vám zabere mnoho času a foukač bude zbytečně hlučný.
10. Držte dobře rovnováhu a stůjte pevně.
11. Mezi trubkou a zemí udržujte mezeru, aby při práci s výrobkem nedocházelo ke kontaktu se zemí.
12. Po skončení práce po sobě ukliděte. Ujistěte se, že jste nenafoukali nečistoty na cizí pozemek nebo zahradu. Odpad odklíďte do popelnice či kontejneru.
13. Po dokončení práce je třeba výrobek skladovat ve vodorovné poloze.

Údržba

Úvod

V následujících odstavcích najdete některé pokyny k provádění obecné údržby. Pokud potřebujete další informace, spojte se se servisem.

Denní údržba nástavce



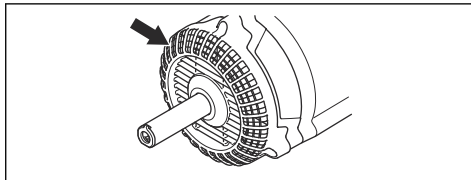
VÝSTRAHA: Před zahájením čištění nebo údržby nástavce vždy vypněte motor. Pokud

máte výrobek poháněný benzínem, odpojte kabel zapalování od zapalovací svíčky. Pokud máte výrobek poháněný baterií, vyjměte baterii.

4. Zkontrolujte, zda jsou všechny zážítkové matice a šrouby dotažené.
5. Pomocí vlhkého hadříku namočeného do šetrného čistícího prostředku vyčistěte štítky.

Kontrola sítka nasávaného vzduchu

1. Kontrolujte, zda nedošlo k zablokování přívodu vzduchu na všech stranách včetně spodní strany, např. listím nebo smetím. Ucpaný přívod vzduchu snižuje foukací kapacitu výrobku a zvyšuje pracovní teplotu motoru, což může způsobit závadu motoru. Vypněte motor a odstraňte z přívodu vzduchu všechny překážky.



VÝSTRAHA: Všechny části těla udržujte mimo dosah horkých povrchů.

1. Vyčistěte vnější povrch foukače.
2. Zkontrolujte, zda nejsou kryty prasklé.
3. Zkontrolujte, zda je výrobek v perfektním provozním stavu.

Přeprava, skladování a likvidace

Přeprava a skladování

Po každém použití proveďte následující kroky:

- Před uskladněním nebo přepravou nechte přídavné zařízení vychladnout.
- Skladujte ve vysokém, chladném, suchém vnitřním prostoru mimo dosah dětí.

Sezónní uložení

Nástavec připravte k uložení na konci sezóny nebo pokud jej nebudete používat déle než 30 dní. V případě, že má být přídavný foukač po nějakou dobu uskladněn:

- Vyčistěte jednotku.
- Zkontrolujte, zda nejsou na přídavném zařízení povolené nebo poškozené díly. Utáhněte všechny povolené šrouby.
- Veškeré poškozené, opotřebené či porušené součásti vyměňte.
- Na začátku další sezóny použijte čerstvé palivo se správným poměrem benzínu a oleje.

Technické údaje

Technické údaje pro výrobky poháněné benzínem

BA101	
Hmotnost	
Hmotnost, kg	1,9
Emise hluku	
Hladina akustického výkonu, změřená dB (A)	109
Hladina akustického výkonu, zaručená L_{WA} dB (A)	112

BA101	
Hladiny hluku ¹⁵	
Ekvivalentní hladina akustického tlaku v úrovni uší obsluhy, změřená podle normy EN 15503, dB(A)	99
Úrovně vibrací ¹⁶	
Ekvivalentní hladiny vibrací ($a_{hv,eq}$) v rukojetích, měřené podle normy EN 15503, m/s ²	
Přední/zadní rukojeť:	5,6/8,3
Výkon ventilátoru ¹⁷	
Maximální rychlost vzduchu se standardní trubicí, m/s:	66
Průtok vzduchu se standardní tryskou (m ³ /min)	15

Technické údaje pro výroby poháněné baterií

325iLK + Blower attachment BA101	
Hmotnost	
Hmotnost, kg	2,3 + 1,9
Emise hluku ¹⁸	
Hladina akustického výkonu, změřená dB (A)	103
Hladina akustického výkonu, zaručená L _{WA} dB (A)	106
Hladiny hluku ¹⁹	
Hladina akustického tlaku v úrovni uší obsluhy, změřená podle normy ISO 26868, dB(A)	
Vybaven schváleným příslušenstvím (originální), dB (A)	93
Úrovně vibrací ²⁰	
Hladiny vibrací v rukojetích, měřené podle normy EN 62841-1, m/s ²	

¹⁵ Ekvivalentní hodnoty hladiny akustického tlaku je dosaženo při pracovním cyklu složeného z 1/7 z chodu na volnoběžné otáčky a ze 6/7 z plného výkonu. Uváděná data pro ekvivalentní hladinu akustického tlaku pro stroj mají typickou statistickou odchylku (standardní odchylku) 1 dB (A).

¹⁶ Ekvivalentní hodnoty hladiny vibrací je dosaženo při pracovním cyklu složeného z 1/7 z chodu na volnoběžné otáčky a 6/7 z plného výkonu. Uváděná data pro ekvivalentní hladinu vibrací mají typickou statistickou odchylku (standardní odchylku) 1 m/s².

¹⁷ Společně s jednotkou motoru 525LK/GC2225C.

¹⁸ Emise hluku v životním prostředí měřené jako akustický výkon (L_{WA}) v souladu se směrnicí 2000/14/ES. Uváděná hladina akustického výkonu pro stroj byla měřena s originálním řezacím nástavcem, který generuje nejvyšší hladinu. Rozdíl mezi garantovaným a měřeným akustickým výkonem je v tom, že garantovaný akustický výkon rovněž zahrnuje rozptýl výsledků měření a rozdíly mezi různými stroji téhož modelu podle Směrnice 2000/14/ES.

¹⁹ Uváděná data pro hladinu akustického tlaku pro stroj mají typickou statistickou odchylku (standardní odchylku) 3 dB (A), která byla měřena s originálním řezacím nástavcem generujícím nejvyšší hladinu. Měřeno společně s jednotkou motoru 325iLK.

²⁰ Uváděná data o úrovni vibrací mají typickou statistickou odchylku (standardní odchylku) 2 m/s². Pro srovnání hladiny vibrací akumulátorových výrobků a výrobků se spalovacím motorem použijte kalkulačku vibrací: <https://www.husqvarna.com/cz/sluzby-reseni/kalkulacka-vibraci/>. Měřeno společně s jednotkou motoru 325iLK.

325iLK + Blower attachment BA101	
Vybaveno schváleným příslušenstvím (originální), levá/pravá, m/s	1,6/1,1
Výkon ventilátoru ²¹	
Průtok vzduchu v normálním režimu se standardní tryskou, m ³ /min	14
Maximální rychlost vzduchu v normálním režimu se standardní tryskou, m/s:	52

²¹ Měřeno společně s jednotkou motoru 325iLK.

Prohlášení o shodě

Prohlášení o shodě EU

Společnost **Husqvarna AB**, SE-561 82 Huskvarna, Švédsko, tel.: +46-36-146500, na svou výhradní odpovědnost prohlašuje, že výrobek:

Popis	Nástavec foukače
Značka	Husqvarna
Typ/Model	BA101
Identifikace	Výrobní čísla od roku 2022 a dále

je zcela ve shodě s následujícími směrnicemi a předpisy EU:

Nařízení	Popis
2006/42/ES	„o strojních zařízeních“
2000/14/ES	„týkající se emisí hluku do okolního prostředí“
2011/65/EU	„o omezení používání některých nebezpečných látek v elektrických a elektronických zařízeních“

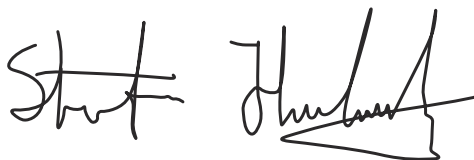
a že byly použity následující normy nebo technické specifikace: EN15503:2009+A2:2015, EN ISO 12100:2021, EN IEC 63000:2018.

Institút RISE SMP Svensk Maskinprovning AB, Box 7035, SE-750 07 Uppsala, Sweden provedl jménem společnosti Husqvarna AB dobrovolnou typovou zkoušku.

Číslo certifikátu: SEC/15/2416 – Husqvarna BA101.

Informace o emisích hluku najdete v části *Technické údaje na strani 38*.

Huskvarna, 2022-05-09



Stefan Holmberg, ředitel výzkumu a vývoje, management technologií, Husqvarna AB

Osoba odpovědná za technickou dokumentaci



Prohlášení o shodě EU

Společnost **Husqvarna AB**, SE-561 82 Huskvarna, Švédsko, tel.: +46-36-146500, na svou výhradní odpovědnost prohlašuje, že výrobek:

Popis	Nástavec foukače s napájecí jednotkou Husqvarna 325iLK
Značka	Husqvarna
Typ/Model	BA101
Identifikace	Výrobní čísla od roku 2022 a dále

je zcela ve shodě s následujícími směrnicemi a předpisy EU:

Nařízení	Popis
2006/42/ES	„o strojních zařízeních“
2000/14/ES	„týkající se emisí hluku do okolního prostředí“
2011/65/EU	„o omezení používání některých nebezpečných látek v elektrických a elektronických zařízeních“

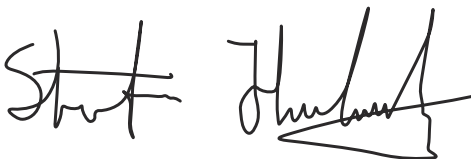
a že byly použity následující normy nebo technické specifikace: IEC 60335-2-100, EN IEC 63000:2018.

Institut RISE SMP Svensk Maskinprovning AB, Box 7035, SE-750 07 Uppsala, Sweden provedl jménem společnosti Husqvarna AB dobrovolnou typovou zkoušku. Číslo certifikátu: SEC/15/2416 – Husqvarna BA101.

Společnost RISE SMP Svensk Maskinprovning AB, Box 7035, SE-750 07 Uppsala, Sweden rovněž ověřila shodu s dodatkem V směrnice Evropského parlamentu a Rady 2000/14/ES. Číslo certifikátu: 01/012/014.

Informace o emisích hluku najdete v části *Technické údaje na strani 38*.

Huskvarna, 2022-05-09



Stefan Holmberg, ředitel výzkumu a vývoje,
management technologií, Husqvarna AB

Osoba odpovědná za technickou dokumentaci



Indhold

Indledning.....	43	Transport, opbevaring og bortskaffelse.....	51
Sikkerhed.....	44	Tekniske data.....	51
Drift.....	50	Overensstemmelseserklæring.....	53
Vedligeholdelse.....	50		

Indledning

Produktbeskrivelse

Vi forsøger hele tiden at videreudvikle vores produkter og forbeholder os derfor ret til ændringer af bl.a. form og udseende af produkterne uden forudgående varsel.

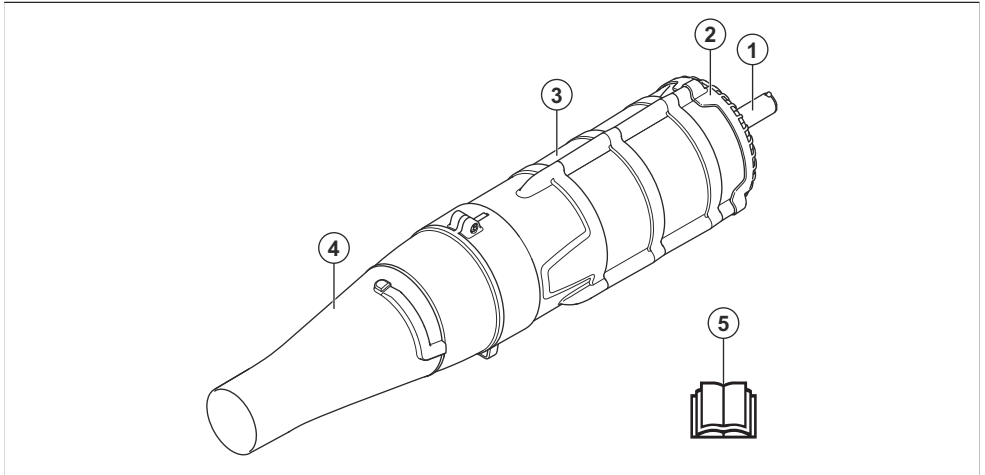
Bemærk: Brugsanvisningen omhandler både benzin- og batteridrevne strømenheder.

Anvendelsesformål



ADVARSEL: Dette tilbehør må kun bruges

Oversigt over skæreudstyr



1. Aksel
2. Si til luftindtag
3. Blæserhus
4. Luftdyse
5. Brugsanvisning

sammen med den tilsigtede strømenhed. Se kapitlet Tilbehør i brugsanvisningen til strømenheden.

Tilbehøret er kun beregnet til blæsning af græsplæner, stier, asfaltveje og lignende.

Symboler på tilbehøret og strømenheden



Skødesløs eller forkert brug af dette produkt kan resultere i alvorlige skader eller medføre døden for brugeren eller andre.



Læs brugervejledningen, og sørg for at have forstået indholdet, inden du bruger udstyret.



Dette udstyr er i overensstemmelse med gældende CE-direktiver.



Dette produkt er i overensstemmelse med gældende UK-bestemmelser.



Brug godkendt høreværn, øjenværn og åndedrætsværn.



Brug godkendte beskyttelseshandsker.



Støjemissioner til omgivelserne i henhold til EF-direktiv. Tilbehørets emission fremgår af kapitlet Tekniske data og af mærkaten.



Brugeren af løvblæseren skal sørge for, at ingen mennesker eller dyr kommer nærmere end 15 meter. Når flere brugere arbejder på det samme sted, skal sikkerhedsafstanden være mindst 15 meter. Løvblæseren kan kaste genstande af sted med voldsom kraft, og disse genstande kan slå tilbage. Dette kan medføre alvorlige øjenskader, hvis du ikke anvender det anbefalede beskyttelsesudstyr.



Løvblæseren kan kaste genstande af sted med voldsom kraft, og disse genstande kan slå tilbage. Dette kan medføre alvorlige øjenskader, hvis du ikke anvender det anbefalede beskyttelsesudstyr.



Brugeren af produktet skal under arbejdets udførelse sørge for, at ingen mennesker eller dyr kommer nærmere end 15 meter.



Ventilatorvingen kan forårsage afskæring af fingre eller hånden. Du må ikke åbne eller fjerne sikkerhedsskærme eller -net, mens motoren er i gang.

Bemærk: Andre symboler/etiketter på skæreudstyret refererer til specifikke krav for certificering på visse markeder.

Sikkerhed

Sikkerhedsdefinitioner

Advarsler, forholdsregler og bemærkninger bruges til at pege på særligt vigtige dele af brugsanvisningen.



ADVARSEL: Bruges, hvis føreren udsætter sig selv eller omkringstående personer for risiko for personskade eller dødsfald ved

tilsidesættelse af instruktionerne i brugsanvisningen.



BEMÆRK: Bruges, hvis der er risiko for skader på produktet og/eller tilbehøret, andre materialer eller det omgivende område ved tilsidesættelse af instruktionerne i brugsanvisningen.

Bemærk: Bruges til at give yderligere oplysninger, der er nødvendige i en given situation.

Generelle sikkerhedsinstruktioner



ADVARSEL: Læs de medfølgende advarselsinstruktioner, inden du bruger skæreudstyret.

- Læs brugsanvisningen omhyggeligt igennem, og sørg for at have forstået indholdet, inden du bruger produktet.
- Denne brugsanvisning skal læses sammen med brugsanvisningen til

strømenheden for at få fuldstændige oplysninger.

- Produktets oprindelige udformning må under ingen omstændigheder ændres uden producentens samtykke. Brug ikke et produkt, der ser ud til at være blevet ændret af andre, og brug altid originalt tilbehør. Ikke-autoriserede ændringer og/eller ikke-godkendt tilbehør kan medføre alvorlige skader eller døden for brugeren eller andre.

Sikkerhedsinstruktioner for betjening



ADVARSEL:

Læs følgende advarselsinstruktioner, inden du bruger produktet.



ADVARSEL:

Dette produkt danner et elektromagnetisk felt under drift. Dette felt kan i nogle tilfælde påvirke aktive eller passive medicinske implantater. For at reducere risikoen for alvorlige eller dødbringende kvæstelser anbefaler vi, at personer med

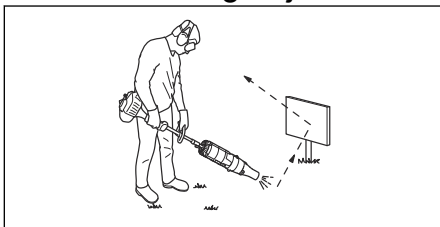
medicinske implantater
kontakter deres læge
og producenten af det
medicinske implantat, før
de tager produktet i brug.

- Anvend aldrig produktet, hvis du er træt, har drukket alkohol eller indtaget stoffer, eller hvis du tager medicin, som kan påvirke dit syn, din dømmekraft eller din koordinationsevne.
- Brug aldrig et produkt, som er behæftet med fejl.
- Samtlige dæksler og beskyttelser skal være monteret før start. Hvis du har et benzindrevet produkt, skal du kontrollere, at tændhætten og tændkablet er intakte, så du ikke får stød.
- Føreren af løvblæseren skal sørge for, at ingen mennesker eller dyr kommer nærmere end 15 meter. Når flere førere arbejder på det samme sted, skal sikkerhedsafstanden være mindst 15 meter.
- Tillad aldrig børn at bruge maskinen.
- Lad aldrig en anden bruge produktet, uden at du har sikret dig, at vedkommende har forstået indholdet i brugervejledningen.
- Fjern aldrig sien foran luftindtaget.
- Berør aldrig tændrøret eller tændingskablet, mens motoren er i gang. Hvis tændrøret eller stikproppen berøres, kan det medføre elektrisk stød.
- Tag altid kontakt med de lokale myndigheder og kontrollér, at De overholder gældende bestemmelser.
- Hold alle dele af kroppen på sikker afstand af varme overflader.
- Når du kommer ud for en situation, som gør dig usikker med hensyn til fortsat brug, skal du spørge en ekspert til råds. Henvend dig til din forhandler eller dit serviceværksted. Undgå al brug, som du ikke synes, du er tilstrækkeligt kvalificeret for.
- Hold blæserørets munding så tæt til jorden som muligt. Udnyt hele blæserørets længde for at holde luftstrømmen tæt ved jorden.
- Brug kun maskinen inden for normal arbejdstid for at undgå unødige gener. Undgå at arbejde tidligt om morgenen og sent om aftenen.
- Vær opmærksom på omgivelserne. Hvis

nogen nærmer sig dit arbejdsområde, skal du slippe gashåndtaget/strømuldøseren, indtil personen er på sikker afstand. Ret blæseren væk fra mennesker, dyr, legepladser, åbne vinduer, biler osv. Luftrykket kan kaste eller rikochettere sten, jord eller pinde, som kan skade mennesker eller dyr, knuse glasruder eller forårsage anden skade.

- Stik aldrig hænder eller andre genstande ind i blæserhuset, så der undgås alvorlige skader forårsaget af det roterende vingehjul.
- Hold den ydre overflade fri for olie og brændstof.
- Brug aldrig redskabet til at sprede kemikalier, gødning eller andre stoffer, der kan indeholde toksiske materialer.
- For at undgå brandfare må produktet ikke anvendes i nærheden af brændende blade eller buske, åbne kaminer, bålpladser, askebægre eller lignende.
- Tilbehøret må aldrig overhældes eller sprøjtes med vand eller andre væsker
- Brug altid begge hænder til at holde maskinen. Hold maskinen på siden af kroppen.

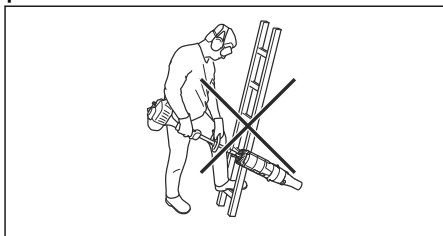
- Hvis du har et benzindrevet produkt, skal du lade motoren køle af, før du tanker op.
- Den kraftige luftstrøm kan flytte ting med en sådan hastighed, at de kan rikochettere tilbage og medføre alvorlige øjenskader.



- Stands motoren inden montering eller afmontering af ekstraudstyr eller andre dele.
- Brug ikke produktet i dårligt vejr, som f.eks. i tæt tåge, kraftigt regnvejr, hård blæst eller kraftig kulde osv. Udførelse af arbejde i dårligt vejr er trættende og kan skabe farlige forhold, f.eks. glatte underlag.
- Sørg for, at du kan gå og stå sikkert. Kig efter eventuelle forhindringer ved en uventet retræte (rødder, sten, grene, huller, grøfter osv.). Vær meget forsigtig ved arbejde i skrånende terræn.



- Stil aldrig produktet ned på jorden med motoren i drift, uden at du har den under opsyn.
- Hvis du har et benzindrevet produkt, indeholder motorens udstødningsgasser kulilte, som kan forårsage kulilteforgiftning. Start eller køør derfor aldrig produktet indendørs, eller hvor luftcirkulationen er mangelfuld.
- Blæseren må ikke anvendes, mens du står på en stige eller et stillads, eller på steder, der er højt oppe (f.eks. tage). Det kan medføre alvorlig personskade.



- Brug aldrig produktet uden mulighed for at kunne tilkalde hjælp i tilfælde af en ulykke.
- Anbring aldrig genstande i luftindtaget, da dette kan forhindre luften i at strømme

frit, hvilket kan beskadige redskabet.

- Sørg for, at produktet ikke rammer hegn, træer eller andre hårde materialer. Dette kan medføre beskadigelse af maskinen og alvorlig personskade.
- Vær altid opmærksom på advarselssignaler eller tilråb, når høreværnet bruges. Tag altid høreværnet af, så snart motoren standser.

Personligt beskyttelsesudstyr

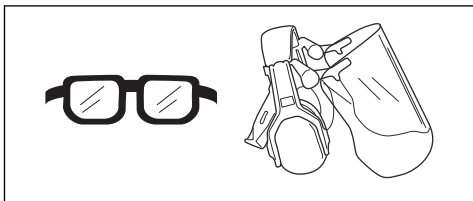


ADVARSEL:

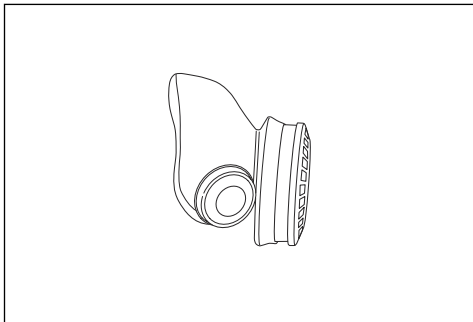
Læs følgende advarselsinstruktioner, inden du bruger produktet.

- Brug godkendt personligt beskyttelsesudstyr, når du bruger produktet. Personligt beskyttelsesudstyr udelukker ikke fuldstændigt risikoen for personskader, men det mindsker graden af skaderne i tilfælde af, at der skulle ske en ulykke. Lad forhandleren hjælpe dig med at vælge det rigtige udstyr.
- Brug godkendt høreværn med tilstrækkelig dæmpning. Langvarig eksponering for støj kan medføre permanente høreskader.

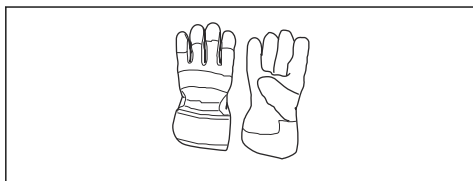
- Brug godkendt øjenværn. Hvis du bruger et ansigtsværn, skal du også bruge godkendte beskyttelsesbriller. Godkendte beskyttelsesbriller skal overholde den amerikanske standard ANSI Z87.1 eller EU-standarden EN 166.



- Brug åndedrætsværn, når der er risiko for støv.



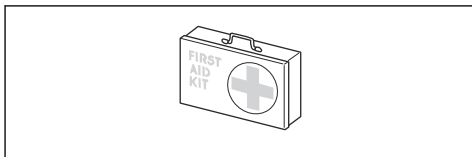
- Brug om nødvendigt beskytteshandsker, f.eks. ved montering, eftersyn og rengøring af tilbehøret.



- Brug skridsikre og stabile støvler eller sko.



- Brug beklædning, der er lavet af et stærkt materiale. Brug altid kraftige lange bukser og lange ærmer. Brug ikke løstsiddende tøj, som kan sætte sig fast i buske og grene. Undgå smykker, shorts og sandaler, og gå ikke barfodet. Sæt håret op i en sikker højde, dvs. over skulderen.
- Sørg for at have førstehjælpsudstyr ved hånden.



Sikkerhedsinstruktioner for vedligeholdelse



ADVARSEL:

Læs følgende advarselinstruktioner, inden du bruger produktet.

Udfør en generel inspektion af produktet før brug. Se vedligeholdelsesskemaet.

Følg vedligeholdelses- og serviceanvisningerne i denne brugsanvisning. Visse vedligeholdelses- og serviceforanstaltninger må kun udføres af erfarne og kvalificerede specialister. Se anvisningerne under overskriften Vedligeholdelse.

Se altid efter eventuelle genstande, som kan have blokeret luftindtagets si, før arbejdet påbegyndes.

Montering og afmontering skal gennemføres tæt på jordens overflade for at forhindre, at produktet bliver beskadiget, hvis det tabes eller falder ned.

Drift

Sådan bruges tilbehøret

Bemærk: Vis hensyn overfor personer i dine omgivelser ved at undgå at anvende maskinen på upassende tidspunkter, for eksempel sent om aftenen eller tidligt om morgenen. Reducer støjniveauet ved at begrænse antallet af udstyrseenheder, der benyttes samtidig. Læs og følg nedenstående enkle råd for at forstyrre dine omgivelser så lidt som muligt.

1. Anvend en rive eller en kost for at løsne fastsiddende affald fra jorden.
2. Rens hjørner ved at starte i hjørnet og arbejde udad. Dette vil hjælpe med at samle snavset, der ellers vil kunne blæse op i ansigtet.
3. Anvend blæseren med lavest mulige gas/hastighed. Det er sjældent nødvendigt at anvende fuld gas/hastighed, og mange arbejdsopgaver kan udføres med halv gas/hastighed. Mindre gas/hastighed indebærer mindre støj og mindre støv. Det er også lettere at få kontrol over det affald, som skal samles sammen/flyttes.
4. Minimer den nødvendige arbejdstid ved at fugte meget støvede områder en smule eller benytte sprøjteudstyr.

5. Reducer vandforbruget ved at benytte løvblæsere i stedet for vandslanger til forskellige anvendelsesområder vedr. plænen og i haven, herunder f.eks. gitre, læhegn, riste, verandaer osv.
6. Vær forsigtigt under arbejde i nærheden af planter. Luftstrømmen kan beskadige sarte planter.
7. Hastigheden på luftstrålen reguleres ved hjælp af gasreguleringen/strømodløseren. Vælg den hastighed, der passer bedst til formålet.
8. Vær bevidst om vindretningen. Arbejd i vindens retning for at gøre arbejdet lettere.
9. At anvende løvblæseren for at flytte store stakke er tidskrævende og skaber unødvendig støj.
10. Hold god balance og sikkert fodfæste.
11. Hold afstand mellem røret og jorden for at undgå kontakt med jorden under arbejdet med produktet.
12. Ryd op efter dig. Forvis dig om, at du ikke har blæst affald ind på en eller andens grund. Bortskaf affald i affaldsbeholdere.
13. Når arbejdet er afsluttet, skal produktet opbevares horisontalt.

Vedligeholdelse

Indledning

Nedenfor følger nogle generelle vedligeholdelsesinstruktioner. Hvis du har brug for yderligere oplysninger, kan du kontakte serviceværkstedet.

Sådan vedligeholdes tilbehøret dagligt



ADVARSEL: Stands altid motoren, før du rengør eller vedligeholder

tilbehøret. Hvis du har et benzindrevet produkt, skal du fjerne tændrørskablet fra tændrøret. Hvis du har et batteridrevet produkt, skal du fjerne batteriet.



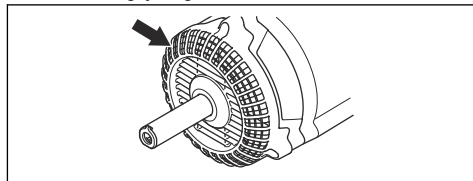
ADVARSEL: Hold alle dele af kroppen på sikker afstand af varme overflader.

1. Rengør løvblæserens udvendige overflade.

2. Sørg for, at huset er fri for revner.
3. Kontrollér produktet, så det er i optimal stand.
4. Sørg for, at alle møtrikker og skruer er spændt.
5. Rengør mærkaterne med en klud, der er fugtet med et mildt rengøringsmiddel.

Sådan kontrolleres luftfilterflangen

1. Kontrollér, at luftindtaget ikke blokeres på nogen af siderne af eksempelvis løv eller andet materiale. Hvis luftindtaget er stoppet, forringes produktets blæsekapacitet, mens motorens arbejdstemperatur øges, hvilket kan medføre motorhavari. Stands motoren, og fjern genstanden.



Transport, opbevaring og bortskaffelse

Transport og opbevaring

Efter hver brug gøres følgende:

- Lad redskabet køle af før transport eller opbevaring.
- Opbevar redskabet på et højt, køligt, tørt sted indendørs og uden for børns rækkevidde.

Sæsonopbevaring

Gør tilbehøret klart til at blive sat væk, når sæsonen er slut, eller hvis det ikke skal anvendes i 30 dage

eller mere Hvis løvblæsertilbehøret skal opbevares i en periode:

- Rengør enheden.
- Efterse redskabet for løse eller beskadigede dele. Stram eventuelle løse skruer.
- Udskift beskadigede, slidte eller defekte dele.
- Ved starten af næste sæson må der kun anvendes frisk blandet brændstof i det korrekte benzin/olieforhold

Tekniske data

Tekniske data for benzindrevne produkter

BA101	
Vægt	
Vægt, kg	1,9
Støjemissioner	
Lydeffektniveau, målt dB (A)	109
Lydeffektniveau, garanteret L_{WA} dB (A)	112
Lydniveauer ²²	
Ækvivalent lydtryksniveau ved brugerens øre, målt i henhold til EN15503, dB(A)	99

²² Værdien for det ækvivalente lydtryksniveau beregnes med en arbejdscyklus med en varighed på 1/7 for tomgang og 6/7 for høj hastighed. Rapporterede data for ækvivalent lydtryksniveau for maskinen har en typisk statistisk spredning (standardafvigelse) på 1 dB(A).

BA101	
Vibrationsniveauer ²³	
Ækvivalente vibrationsniveauer ($a_{hv,eq}$) i håndtag målt i henhold til EN ISO 15503, m/s^2	
Forreste/bageste håndtag:	5,6/8,3
Blæserydelse ²⁴	
Maks. lufthastighed ved standardmundstykke, m/s:	66
Luftgennemstrømning ved standardmundstykke, m^3/min	15

Tekniske data for batteridrevne produkter

325iLK + Blower attachment BA101	
Vægt	
Vægt, kg	2,3+1,9
Støjmissioner ²⁵	
Lydeffektniveau, målt dB (A)	103
Lydeffektniveau, garanteret L_{WA} dB (A)	106
Lydniveauer ²⁶	
Lydtryksniveau ved brugerens ører målt i henhold til ISO 26868, dB(A):	
Udstyret med godkendt tilbehør (original), dB (A)	93
Vibrationsniveauer ²⁷	
Vibrationsniveauer i håndtag målt i henhold til EN 62841-1, m/s^2	
Udstyret med godkendt tilbehør (original), venstre/højre m/s	1,6/1,1
Blæserydelse ²⁸	
Luftstrøm i normal tilstand ved standardmundstykke, m^3/min	14
Maks. lufthastighed i normal tilstand ved standardmundstykke, m/s:	52

²³ Værdien for det ækvivalente vibrationsniveau beregnes med en arbejdscyklus med en varighed på 1/7 for tomgang og 6/7 for høj hastighed. Rapporterede data for ækvivalent vibrationsniveau har en typisk statistisk spredning (standardafvigelse) på 1 m/s^2 .

²⁴ Sammen med motorenheden 525LK/GC2225C.

²⁵ Emission af støj til omgivelserne målt som lydeffekt (L_{WA}) i henhold til EF-direktiv 2000/14/EF. Rapporteret lydeffektniveau for maskinen er målt med det originale skæreudstyr, der giver det højeste niveau. Forskellen mellem garanteret og målt lydeffekt er, at den garanterede lydeffekt også omfatter spredning i måleresultatet og variationerne mellem forskellige maskiner af samme model i henhold til direktivet 2000/14/EF.

²⁶ Rapporterede data for maskinens lydtryksniveau har en typisk statistisk spredning (standardafvigelse) på 3 dB (A) og er blevet målt med det originale udstyr, der giver det højeste niveau. Målt sammen med motorenheden 325iLK.

²⁷ Rapporterede data for vibrationsniveau har en typisk statistisk spredning (standardafvigelse) på 2 m/s^2 . Til sammenligning af vibrationsniveauer mellem batteri- og benzindrevne produkter skal du anvende vibrationsberegneren. <https://www.husqvarna.com/uk/services-solutions/vibration-calculator/>. Målt sammen med motorenheden 325iLK.

²⁸ Målt sammen med motorenheden 325iLK.

Overensstemmelseserklæring

EU-overensstemmelseserklæring

Vi, **Husqvarna AB**, SE-561 82 Huskvarna, Sverige,
tlf.: +46-36-146500 erklærer under eneansvar, at det
pågældende produkt:

Beskrivelse	Blæsertilbehør
Varemærke	Husqvarna
Type / model	BA101
Identifikation	Serienumrene fra 2022 og fremefter

overholder følgende EU-direktiver og bestemmelser:

Regulativ	Beskrivelse
2006/42/EF	"vedrørende maskiner"
2000/14/EF	"vedrørende støjemissioner til omgivelserne"
2011/65/EU	"om begrænsning af anvendelsen af visse farlige stoffer i elektrisk og elektronisk udstyr"

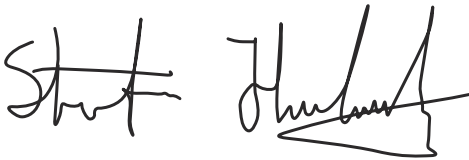
og at følgende standarder og/eller tekniske
specifikationer anvendes: EN15503:2009+A2:2015, EN
ISO 12100:2021, EN IEC 63000:2018.

RISE SMP Svensk Maskinprovning AB, Box 7035,
SE-750 07 Uppsala, Sweden har foretaget frivillig
typegodkendelse for Husqvarna AB.

Certifikatnummer: SEC/15/2416 – Husqvarna BA101.

Vedr. oplysninger om støjemission, se *Tekniske data på
side 51*.

Huskvarna, 2022-05-09



Stefan Holmberg, R&D Director, Technology
Management, Husqvarna AB

Ansvarlig for teknisk dokumentation



EU-overensstemmelseserklæring

Vi, **Husqvarna AB**, SE-561 82 Huskvarna, Sverige,
tlf.: +46-36-146500 erklærer under eneansvar, at det
pågældende produkt:

Beskrivelse	Blæser med strømforsyning Husqvarna325ILK
Varemærke	Husqvarna
Type / model	BA101
Identifikation	Serienumrene fra 2022 og fremefter

overholder følgende EU-direktiver og bestemmelser:

Regulativ	Beskrivelse
2006/42/EF	"vedrørende maskiner"
2000/14/EF	"vedrørende støjemissioner til omgivelserne"
2011/65/EU	"om begrænsning af anvendelsen af visse farlige stoffer i elektrisk og elektronisk udstyr"

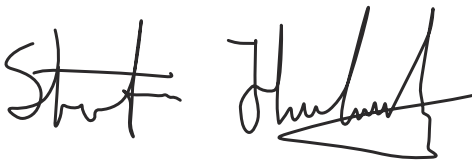
og at følgende standarder og/eller tekniske
specifikationer anvendes: IEC 60335-2-100, EN IEC
63000:2018.

RISE SMP Svensk Maskinprovning AB, Box 7035,
SE-750 07 Uppsala, Sweden har foretaget frivillig
typegodkendelse for Husqvarna AB. Certifikatnummer:
SEC/15/2416 – Husqvarna BA101.

RISE SMP Svensk Maskinprovning AB, Box 7035,
SE-750 07 Uppsala, Sweden har også bekræftet
overensstemmelse med Bilag V til Rådets direktiv
2000/14/EF. Certifikatnummer: 01/012/014.

Vedr. oplysninger om støjemission, se *Tekniske data på
side 51*.

Huskvarna, 2022-05-09



Stefan Holmberg, R&D Director, Technology
Management, Husqvarna AB

Ansvarlig for teknisk dokumentation



Inhalt

Einleitung.....	55	Transport, Lagerung und Entsorgung.....	64
Sicherheit.....	56	Technische Angaben.....	65
Betrieb.....	63	Konformitätserklärung.....	67
Wartung.....	64		

Einleitung

Produktbeschreibung

Wir arbeiten ständig an der Weiterentwicklung unserer Geräte und behalten uns daher das Recht auf Änderungen ohne vorherige Ankündigung, z. B. von Form und Aussehen, vor.

Hinweis: Dieses Handbuch bezieht sich sowohl auf benzin- als auch auf akkubetriebene Antriebsaggregate.

Verwendungszweck

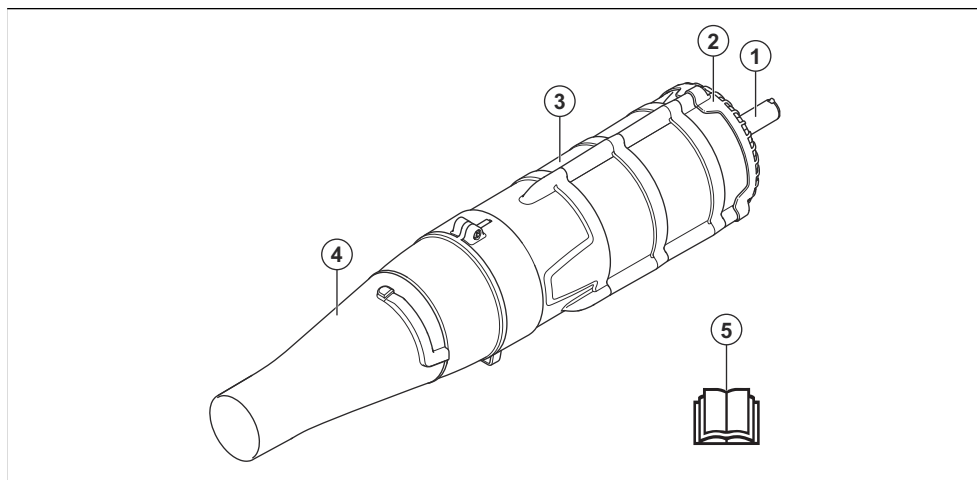


WARNUNG: Dieses Anbaugerät darf nur zusammen mit

dem vorgesehenen Antriebsaggregat verwendet werden. Weitere Informationen finden Sie im Kapitel „Zubehör“ in der Bedienungsanleitung des Antriebsaggregats.

Das Anbaugerät ist nur für das Säubern von Rasenflächen, Gehwegen, asphaltierten Straßen u. Ä. konzipiert.

Übersicht über das Anbaugerät



1. Schaft
2. Lufteinlassgitter
3. Lüftergehäuse
4. Luftdüse
5. Bedienungsanleitung

Symbole auf dem Anbaugerät und dem Antriebsaggregat



Durch unsachgemäße oder nachlässige Handhabung dieses Anbaugeräts können schwere Verletzungen oder sogar tödliche

Unfälle von Anwendern oder anderen Personen verursacht werden.



Lesen Sie die Bedienungsanleitung aufmerksam durch, und machen Sie sich mit den Anweisungen vertraut, bevor Sie das Anbaugerät verwenden.



Dieses Anbaugerät stimmt mit den geltenden CE-Richtlinien überein.



Dieses Gerät entspricht den geltenden UK-Richtlinien.



Verwenden Sie einen zugelassenen Gehör-, Augen- und Atemschutz.



Tragen Sie zugelassene Schutzhandschuhe.



Umweltbelastende Geräuschemissionen gemäß der Richtlinie der Europäischen Gemeinschaft. Die Emissionswerte des Anbaugeräts sind im Abschnitt „Technische Daten“ und auf dem Geräteschild angegeben.



Der Bediener des Laubblasgeräts hat dafür zu sorgen, dass Menschen und Tiere einen Abstand von mindestens 15 m halten. Wenn mehrere Bediener im selben Nahbereich arbeiten, muss der Sicherheitsabstand mindestens 15 m betragen. Das Laubblasgerät kann Gegenstände mit großer Kraft herausschleudern, die zurückprallen können. Dies kann zu schweren Augenverletzungen führen, wenn die empfohlene Schutzausrüstung nicht getragen wird.



Das Laubblasgerät kann Gegenstände mit großer Kraft herausschleudern, die zurückprallen können. Dies kann zu schweren Augenverletzungen führen, wenn die empfohlene Schutzausrüstung nicht getragen wird.



Der Bediener des Geräts hat darauf zu achten, dass während der Arbeit keine Menschen oder Tiere näher als 15 m herankommen.



Abtrennen von Fingern oder Händen durch Lüfterblätter. Öffnen oder entfernen Sie keine Sicherheitsvorrichtungen oder -netze, während der Motor läuft.

Hinweis: Sonstige Symbole/Aufkleber auf dem Anbaugerät beziehen sich auf spezielle Zertifizierungsanforderungen, die in bestimmten Ländern gelten.

Sicherheit

Sicherheitsdefinitionen

Warnungen,
Vorsichtsmaßnahmen und

Hinweise werden verwendet,
um auf besonders wichtige
Teile der Bedienungsanleitung
hinzuweisen.



WARNUNG: Wird verwendet, wenn bei Nichtbeachtung der Anweisungen in diesem Handbuch die Gefahr von Verletzung oder Tod des Bedieners oder anderer Personen besteht.



ACHTUNG: Wird verwendet, wenn bei Nichtbeachtung der Anweisungen in diesem Handbuch die Gefahr von Schäden am Produkt und/oder am Anbaugerät, an anderen Materialien oder in der Umgebung besteht.

Hinweis: Für weitere Informationen, die in bestimmten Situationen nötig sind.

Allgemeine Sicherheitshinweise



WARNUNG: Lesen Sie die folgenden Sicherheitshinweise, bevor Sie das Anbaugerät benutzen.

- Lesen Sie die Betriebsanleitung sorgfältig durch und machen Sie sich mit dem Inhalt vertraut, bevor Sie das Anbaugerät benutzen.
- Diese Bedienungsanleitung sollte zusammen mit der Bedienungsanleitung des Antriebsaggregats gelesen werden, um die vollständigen Benutzerinformationen zu erhalten.
- Unter keinen Umständen darf die ursprüngliche Konstruktion des Anbaugerätes ohne Genehmigung des Herstellers geändert werden. Verwenden Sie keine Anbaugeräte, die modifiziert wurden, und verwenden Sie immer Originalzubehör. Unzulässige Änderungen und/oder unzulässiges Zubehör können zu schweren oder sogar tödlichen Verletzungen des Anwenders oder anderer Personen führen.

Sicherheitshinweise für den Betrieb



WARNUNG: Lesen Sie die folgenden Warnhinweise, bevor Sie das Gerät verwenden.



WARNUNG: Dieses Gerät erzeugt beim Betrieb ein elektromagnetisches Feld. Dieses Feld kann sich unter bestimmten Bedingungen auf die Funktionsweise aktiver oder passiver medizinischer Implantate auswirken. Um die Gefahr von Situationen, die zu schweren oder tödlichen Verletzungen führen können, auszuschließen, sollten Personen mit einem medizinischen Implantat vor der Nutzung dieses Gerätes ihren Arzt und den Hersteller des Implantats konsultieren.

- Benutzen Sie das Gerät niemals, wenn Sie müde oder krank sind, Alkohol getrunken, Drogen oder Medikamente eingenommen haben, die Ihre Sehkraft, Ihr Urteilsvermögen oder Ihre Koordinationsfähigkeit beeinträchtigen können.
- Arbeiten Sie niemals mit einem defekten Gerät.
- Alle Gehäuse- und Schutzteile müssen vor dem

Start montiert werden. Wenn Ihr Gerät mit Benzin betrieben wird, stellen Sie sicher, dass Zündkappe und Zündkabel unversehrt sind, um die Gefahr von elektrischen Schlägen zu vermeiden.

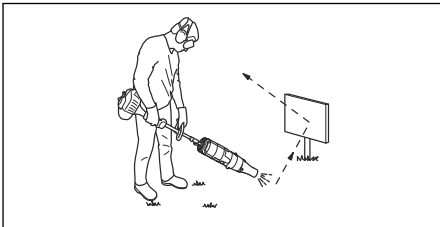
- Der Bediener des Laubblasgeräts hat dafür zu sorgen, dass Menschen und Tiere einen Abstand von mindestens 15 m halten. Wenn mehrere Bediener im selben Nahbereich arbeiten, muss der Sicherheitsabstand mindestens 15 m betragen.
- Gestatten Sie auf keinen Fall Kindern, das Gerät zu benutzen.
- Lassen Sie niemals jemand anderen das Gerät benutzen, ohne sich zu vergewissern, dass die Person den Inhalt der Bedienungsanleitung gelesen und verstanden hat.
- Das Lufteinlassgitter darf niemals entfernt werden.
- Berühren Sie niemals die Zündkerze oder das Zündkabel bei laufendem Motor. Das Berühren der Zündkerze kann zu einem elektrischen Schlag führen.
- Nehmen Sie immer mit den örtlichen Behörden Verbindung auf, um sicherzustellen, dass Sie

die geltenden Vorschriften befolgen.

- Halten Sie alle Körperteile von heißen Oberflächen fern.
- Wenn Sie in eine Situation kommen, die Sie in Bezug auf die weitere Anwendung des Geräts verunsichert, lassen Sie sich von einem Experten beraten. Wenden Sie sich an Ihren Händler oder Ihre Servicewerkstatt. Vermeiden Sie, Arbeiten auszuführen, denen Sie sich nicht gewachsen fühlen.
- Halten Sie die Ausblasöffnung so nah wie möglich am Boden. Nutzen Sie die gesamte Länge des Blasrohrs, um den Luftstrom am Boden zu halten.
- Verwenden Sie das Gerät während normaler Arbeitszeiten, um unnötige Lärmbelästigung zu vermeiden. Vermeiden Sie es, früh am Morgen oder spät in der Nacht zu arbeiten.
- Achten Sie auf Ihre Umgebung. Wenn sich jemand Ihrem Arbeitsbereich nähert, lassen Sie den Gashebel los, bis sich die Person wieder in sicherem Abstand befindet. Richten Sie das Laubblasgerät weg von Personen, Tieren, Spielbereichen, offenen Fenstern, PKWs usw. Der kräftige Luftstrom kann dazu führen, dass Steine, Schmutz oder Stöcke umhergeschleudert werden, sodass es zu Verletzungen von Personen oder Tieren, zu Glasbruch oder sonstigen Schäden kommen kann.
- Greifen Sie niemals mit der Hand oder mit Gegenständen in das Gebläsegehäuse. Am rotierenden Lüfterrad besteht erhebliche Verletzungsgefahr.
- Halten Sie die Oberfläche frei von Öl und Kraftstoff.
- Verwenden Sie das Gerät nicht zur Ausbringung von Chemikalien, Düngemitteln oder sonstigen Substanzen, die Giftstoffe enthalten können.
- Verhindern Sie die Entstehung bzw. Ausbreitung von Flächenbränden. Arbeiten Sie mit dem Gerät nicht in der Nähe von brennenden Laub- oder Strauchhaufen, Feuerstellen, Grillplätzen, Aschetonnen usw.
- Tauchen oder spülen Sie das Anbaugerät nicht in Wasser oder einer anderen Flüssigkeit.
- Halten Sie das Gerät immer mit beiden Händen fest.

Halten Sie das Gerät an der Seite des Körpers.

- Wenn Ihr Gerät mit Benzin betrieben wird, lassen Sie den Motor vor dem Tanken abkühlen.
- Durch die starken Luftströme können Objekte mit einer solchen Geschwindigkeit weggeblasen werden, dass sie zurückprallen und schwere Augenverletzungen hervorrufen.



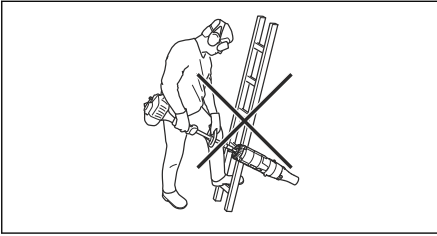
- Stellen Sie vor der Montage oder Demontage von Zubehörteilen oder sonstigen Teilen stets den Motor ab.
- Verwenden Sie das Gerät niemals bei schlechtem Wetter, z. B. bei dichtem Nebel, starkem Regen, starkem Wind, großer Kälte usw. Das Arbeiten bei schlechtem Wetter ist sehr ermüdend und kann gefährliche Umstände herbeiführen, z. B. Rutschgefahr.
- Stellen Sie sicher, dass Sie sicher gehen und stehen können. Achten Sie auf

evtl. Hindernisse (Wurzeln, Steine, Äste, Löcher, Gräben usw.), wenn Sie unvermittelt Ihren Standort wechseln müssen. Beim Arbeiten auf abschüssigem Boden müssen Sie immer sehr vorsichtig sein.



- Stellen Sie das Gerät niemals mit laufendem Motor unbeaufsichtigt ab.
- Wenn Ihr Gerät mit Benzin betrieben wird, enthalten die Motorabgase Kohlenmonoxid, das zu einer Kohlenmonoxidvergiftung führen kann. Starten Sie das Gerät deshalb niemals im Innenbereich oder an anderen Orten mit mangelhafter Luftzirkulation und lassen Sie es dort nicht laufen.
- Der Laubbläser darf nicht auf Leitern, Gerüsten oder in erhöhter Position (z. B. auf Dächern) benutzt werden. Einsätze dieser Art können zu schweren Verletzungen führen.

Warnhinweise, bevor Sie das Gerät benutzen.



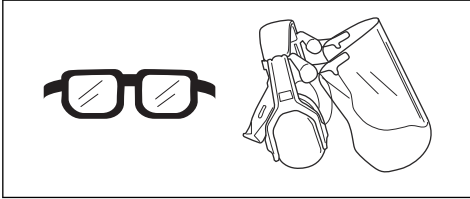
- Sie dürfen das Gerät niemals benutzen, wenn nicht die Möglichkeit besteht, im Falle eines Unfalls Hilfe herbeizurufen.
- Positionieren Sie keine Gegenstände über dem Lufteinlass, dadurch wird der vorgeschriebene Luftstrom gedrosselt und das Gerät evtl. beschädigt.
- Stellen Sie sicher, dass das Gerät auf keinen Zaun, Baum oder ein anderes hartes Material trifft. Das kann zu Beschädigungen der Maschine und schweren Verletzungen führen.
- Achten Sie immer genau auf Warnsignale oder Rufe, wenn Sie den Gehörschutz tragen. Nehmen Sie den Gehörschutz immer ab, sobald der Motor abgestellt ist.
- Verwenden Sie stets die vorgeschriebene persönliche Schutzausrüstung bei der Benutzung des Geräts. Durch Tragen persönlicher Schutzausrüstung können Verletzungen nicht vollständig ausgeschlossen werden, aber im Ernstfall kann so die Verletzungsschwere reduziert werden. Lassen Sie sich von Ihrem Händler bei der Auswahl der richtigen Ausrüstung unterstützen.
- Tragen Sie einen Gehörschutz mit ausreichender Lärminderung. Eine längerfristige Beschallung mit Lärm kann zu bleibenden Gehörschäden führen.
- Tragen Sie einen zugelassenen Augenschutz. Bei der Benutzung eines Visiers ist auch eine zugelassene Schutzbrille zu tragen. Zugelassene Schutzbrillen sind in diesem Falle diejenigen, die die Normen ANSI Z87.1 für die

Persönliche Schutzausrüstung

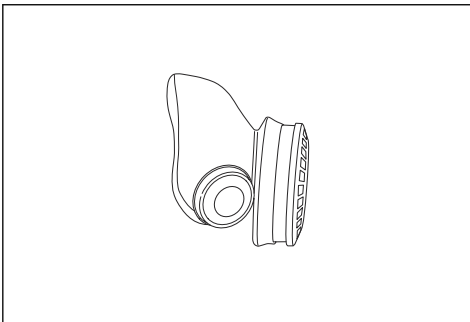


WARNUNG: Lesen Sie die folgenden

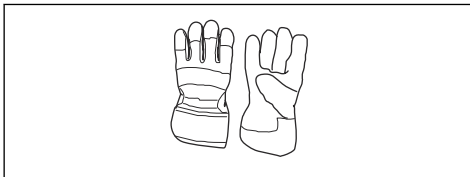
USA bzw. EN 166 für EU-Länder erfüllen.



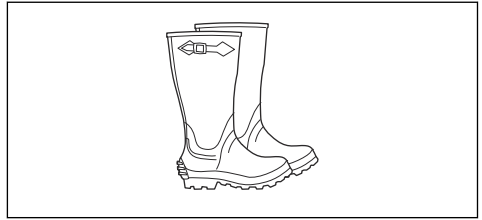
- Verwenden Sie bei Staubgefahr einen Atemschutz.



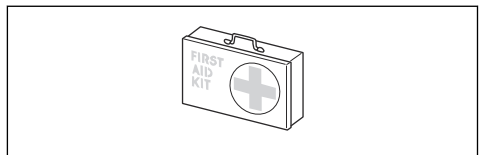
- Tragen Sie bei Bedarf Schutzhandschuhe, beispielsweise bei der Montage, Prüfung oder Reinigung der Ausrüstung.



- Verwenden Sie rutschfeste und stabile Stiefel oder Schuhe.



- Tragen Sie Kleidung aus reißfestem Material. Tragen Sie stets lange Hosen aus schwerem Stoff und lange Ärmel. Tragen Sie keine weite Kleidung, die sich leicht an Ästen und Zweigen verfangen könnte. Vermeiden Sie das Tragen von Schmuck, kurzen Hosen und Sandalen. Gehen Sie nicht barfuß. Binden Sie Ihre Haare sicherheitshalber zusammen, sodass sie nicht über Ihre Schultern fallen.
- Halten Sie eine Erste-Hilfe-Ausrüstung und einen Feuerlöscher griffbereit.



Sicherheitshinweise für die Wartung



WARNUNG: Lesen Sie die folgenden

Warnhinweise, bevor Sie das Produkt verwenden.

Führen Sie vor dem Gebrauch des Geräts eine Gesamtüberprüfung durch. Siehe Wartungsplan.

Befolgen Sie die Wartungs- und Serviceanweisungen in dieser Betriebsanleitung sorgfältig. Gewisse Wartungs- und Servicemaßnahmen sind von geschulten, qualifizierten Fachleuten auszuführen. Siehe

Anweisungen unter dem Titel Wartung.

Vor Beginn der Arbeit immer überprüfen, ob das Lufteinlassgitter durch Fremdkörper blockiert werden kann.

Zur Vermeidung von Schäden durch Herunterfallen des Produkts sollte die Montage und Demontage in Bodennähe durchgeführt werden.

Betrieb

So verwenden Sie das Anbaugerät

Hinweis: Nehmen Sie Rücksicht auf die Menschen in Ihrer Umgebung: Vermeiden Sie es, das Gerät zu unpassenden Zeiten zu benutzen, z. B. am späten Abend oder frühen Morgen. Reduzieren Sie den Geräuschpegel durch Begrenzung der Anzahl der gleichzeitig verwendeten Geräte. Lesen und befolgen Sie die nachstehenden einfachen Ratschläge, um Ihre Umgebung möglichst wenig zu stören.

1. Lösen Sie am Boden feststehenden Unrat mit Hilfe einer Harke oder eines Besens.
2. Ecken reinigen Sie am besten, indem Sie sich von der Ecke nach außen bewegen. Dadurch vermeiden Sie, dass Ihnen Schmutzansammlungen ins Gesicht geweht werden.
3. Geben Sie beim Betrieb des Laubblasgeräts immer möglichst wenig Gas. Es ist nur selten notwendig, mit Vollgas/voller Geschwindigkeit zu arbeiten. Viele Arbeiten können mit Halbgas/halber Geschwindigkeit ausgeführt werden. Weniger Gas/Geschwindigkeit macht nicht nur weniger Lärm, es wird auch weniger Staub aufgewirbelt. Zudem hat man eine bessere Kontrolle über das Material, das zusammen- oder weggeblasen werden soll.
4. Verringern Sie die Blaszeit durch leichtes Befeuchten staubiger Bereiche oder die Verwendung von Sprühhvorrichtungen.
5. Reduzieren Sie den Wasserverbrauch, indem Sie Laubblasgeräte anstelle von Wasserschläuchen für verschiedene Anwendungen auf dem Rasen und im Garten, wie z. B. Gitter, Siebe, Roste, Vordächer usw., verwenden.
6. Seien Sie vorsichtig, wenn Sie in der Nähe von Pflanzen arbeiten. Der starke Luftstrom kann zarte Pflanzen beschädigen.
7. Die Geschwindigkeit des Luftstrahls wird mithilfe des Gashebels geregelt. Die Geschwindigkeit an den jeweiligen Einsatzbereich anpassen.
8. Achten Sie auf die Windrichtung. Es ist einfacher, mit dem Wind zu arbeiten.
9. Das Laubblasgerät sollte nicht zum Verlagern großer Laubhaufen benutzt werden, da dies sehr zeitaufwendig ist und unnötigen Lärm verursacht.
10. Nehmen Sie eine sichere Arbeitsstellung mit festem Stand ein.
11. Sorgen Sie für ausreichend Abstand zwischen dem Rohr und dem Boden, wenn Sie mit dem Gerät arbeiten, um zu verhindern, dass das Gerät den Boden berührt.
12. Hinterlassen Sie Ihren Arbeitsbereich sauber. Vergewissern Sie sich, dass Sie keinen Unrat auf fremde Grundstücke geblasen haben. Entsorgen Sie Abfälle in einem entsprechenden Abfallbehälter.
13. Nach Beendigung der Arbeit ist das Gerät liegend aufzubewahren.

Wartung

Einleitung

Nachstehend folgen einige allgemeine Wartungsanweisungen. Sollten Sie weitere Informationen brauchen, wenden Sie sich bitte an Ihre Servicewerkstatt.

So warten Sie das Anbaugerät täglich



WARNUNG: Stellen Sie stets den Motor ab, bevor Sie Wartungsarbeiten am Anbaugerät ausführen. Wenn Ihr Gerät mit Benzin betrieben wird, ziehen Sie das Zündkabel von der Zündkerze ab. Wenn Ihr Gerät mit einem Akku betrieben wird, nehmen Sie den Akku raus.

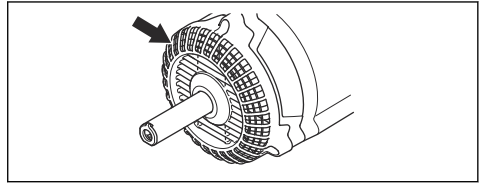


WARNUNG: Halten Sie alle Körperteile von heißen Oberflächen fern.

1. Reinigen Sie die Außenseite des Gebläses.
2. Stellen Sie sicher, dass das gesamte Gehäuse keine Risse aufweist.
3. Stellen Sie sicher, dass das Gerät in einwandfreiem Arbeitszustand ist.
4. Stellen Sie sicher, dass alle Muttern und Schrauben fest angezogen sind.
5. Reinigen Sie die Aufkleber mit einem feuchten Lappen und einem milden Reinigungsmittel.

So überprüfen Sie das Lufterlassgitter

1. Stellen Sie sicher, dass der Lufterlass auf allen Seiten, einschließlich der Unterseite, nicht von z. B. Laub oder Schmutz blockiert wird. Ein verstopfter Lufterlass reduziert die Blasleistung des Geräts und erhöht die Betriebstemperatur des Motors, was ein Motorversagen zur Folge haben kann. Stellen Sie den Motor ab, und entfernen Sie Fremdkörper.



Transport, Lagerung und Entsorgung

Transport und Aufbewahrung

Gehen Sie nach jedem Gebrauch wie folgt vor:

- Lassen Sie das Gerät vor dem Aufbewahren oder Transportieren abkühlen.
- Bewahren Sie es an einem ausreichend geräumigen, kühlen und trockenen Ort außerhalb der Reichweite von Kindern auf.

AUSSERBETRIEBNAHME BEI SAISONENDE

Bereiten Sie das Gerät bei Saisonende bzw., wenn Sie es länger als 30 Tage nicht verwenden, wie folgt für die

Außerbetriebnahme vor. Falls Sie das Laubgebläse über längere Zeit außer Betrieb nehmen möchten:

- Reinigen Sie das Gerät.
- Untersuchen Sie das Gerät auf gelockerte oder schadhafte Bauteile. Ziehen Sie alle gelockerten Schrauben fest.
- Ersetzen Sie alle schadhafte, verschlissenen oder defekten Bauteile.
- Verwenden Sie bei Beginn der nächsten Saison nur frisches Zweitaktgemisch im vorgeschriebenen Benzin-Öl-Verhältnis.

Technische Angaben

Technische Daten für benzinbetriebene Geräte

BA101	
Gewicht	
Gewicht, kg	1,9
Geräuschemissionen	
Gemessener Schalleistungspegel dB (A)	109
Schalleistungspegel, garantiert L_{WA} dB (A)	112
Lautstärke ²⁹	
Äquivalenter Schalldruckpegel am Ohr des Bedieners, gemessen gem. EN 15503, dB (A)	99
Vibrationspegel ³⁰	
Äquivalente Vibrationspegel ($a_{hv,eq}$) an den Griffen, gemessen nach EN 15503, m/s^2	
Vorderer/hinterer Griff:	5,6/8,3
Gebälseleistung ³¹	
Maximale Luftgeschwindigkeit mit Standarddüse, m/s:	66
Luftstrom mit Standardmundstück, m^3/min	15

Technische Daten für akkubetriebene Geräte

325iLK + Blower attachment BA101	
Gewicht	
Gewicht, kg	2,3 + +1,9
Geräuschemissionen ³²	
Gemessener Schalleistungspegel dB (A)	103
Schalleistungspegel, garantiert L_{WA} dB (A)	106

²⁹ Der äquivalente Schalldruckwert wird berechnet für einen Arbeitsablauf, der zu 1/7 im Leerlauf und zu 6/7 mit normaler Drehzahl erfolgt. Berichten zufolge liegt der Schalldruckpegel für dieses Gerät normalerweise bei einer Ausbreitungsklasse (Standardabweichung) von 1 dB (A).

³⁰ Der äquivalente Vibrationswert wird berechnet für einen Arbeitsablauf, der zu 1/7 im Leerlauf und zu 6/7 mit normaler Drehzahl erfolgt. Berichten zufolge liegt der äquivalente Vibrationspegel normalerweise bei einer Ausbreitungsklasse (Standardabweichung) von 1 m/s^2 .

³¹ Zusammen mit der Motoreinheit 525LK/GC2225C.

³² Umweltbelastende Geräuschemissionen, gemessen als Schalleistung (L_{WA}) gemäß EG-Richtlinie 2000/14/EG Der aufgezeichnete Schalleistungspegel für das Gerät wurde unter Verwendung der originalen Schneidusrüstung mit dem höchsten Pegel gemessen. Der Unterschied zwischen garantiertem und gemessenem Schalleistungspegel besteht darin, dass beim garantierten Schalleistungspegel auch eine Streuung im Messergebnis und Variationen zwischen verschiedenen Geräten desselben Modells gemäß der Richtlinie 2000/14/EG berücksichtigt werden.

325iLK + Blower attachment BA101	
Geräuschpegel ³³	
Schalldruckwert am Ohr des Bedieners, gemessen gemäß ISO 26868, dB (A)	
Ausgestattet mit zugelassenem Zubehör (Original), dB (A)	93
Vibrationspegel ³⁴	
Vibrationspegel an den Griffen, gemessen nach EN 62841-1, m/s ²	
Ausgestattet mit zugelassenem Zubehör (Original), links/rechts m/s	1,6/1,1
Gebälseleistung ³⁵	
Luftstrahl im Normalmodus mit Standarddüse, m ³ /min	14
Maximale Luftgeschwindigkeit im Normalmodus mit Standarddüse, m/s:	52

³³ Berichten zufolge liegt der Schalldruckpegel für dieses Gerät normalerweise bei einer Ausbreitungsklasse (Standardabweichung) von 3 dB (A) und wurde mit dem Original-Anbaugerät, das den höchsten Pegel ergibt, geprüft. Zusammen mit der Motoreinheit 325iLK gemessen.

³⁴ Berichten zufolge liegt der Vibrationspegel normalerweise bei einer Ausbreitungsklasse (Standardabweichung) von 2 m/s². Verwenden Sie zum Vergleich vom Vibrationspegeln, Akku- und Verbrennungsgeräten den Vibrationsrechner, siehe <https://www.husqvarna.com/uk/services-solutions/vibration-calculator/>. Zusammen mit der Motoreinheit 325iLK gemessen.

³⁵ Zusammen mit der Motoreinheit 325iLK gemessen.

Konformitätserklärung

EU-Konformitätserklärung

Die **Husqvarna AB**, SE-561 82 Huskvarna, Schweden,
Tel.: +46-36-146500, erklärt in alleiniger Verantwortung,
dass das Gerät:

Beschreibung	Laubblasgerätaufsatz
Marke	Husqvarna
Typ/Modell	BA101
Identifizierung	Seriennummern ab 2022

die folgenden EU-Richtlinien und -Verordnungen erfüllt:

Verordnung	Beschreibung
2006/42/EG	„Maschinenrichtlinie“
2000/14/EG	„über umweltbelastende Geräuschemissionen von zur Verwendung im Freien vorgesehenen Geräten und Maschinen“
2011/65/EG	„zur Beschränkung der Verwendung bestimmter gefährlicher Stoffe in Elektro- und Elektronikgeräten“

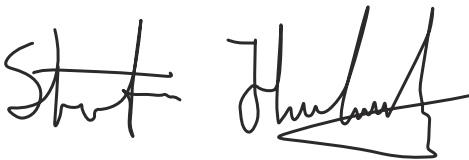
und dass die folgenden Normen und/oder technischen
Daten angewendet werden: EN15503:2009+A2:2015,
EN ISO 12100:2021, EN IEC 63000:2018.

RISE SMP Svensk Maskinprovning AB, Box 7035,
SE-750 07 Uppsala, Sweden hat im Auftrag
von Husqvarna AB eine freiwillige Typenprüfung
durchgeführt.

Certificate number: SEC/15/2416 – Husqvarna BA101.

Informationen zu Geräuschemissionen finden Sie unter
Technische Angaben auf Seite 65.

Huskvarna, 2022-05-09



Stefan Holmberg, R&D Director, Technology
Management, Husqvarna AB

Verantwortlich für die technische Dokumentation



EU-Konformitätserklärung

Die **Husqvarna AB**, SE-561 82 Huskvarna, Schweden,
Tel.: +46-36-146500, erklärt in alleiniger Verantwortung,
dass das Gerät:

Beschreibung	Laubblasgerätaufsatz mit Aggregat Husqvarna325iLK
Marke	Husqvarna
Typ/Modell	BA101
Identifizierung	Seriennummern ab 2022

die folgenden EU-Richtlinien und -Verordnungen erfüllt:

Verordnung	Beschreibung
2006/42/EG	„Maschinenrichtlinie“
2000/14/EG	„über umweltbelastende Geräuschemissionen von zur Verwendung im Freien vorgesehenen Geräten und Maschinen“
2011/65/EG	„zur Beschränkung der Verwendung bestimmter gefährlicher Stoffe in Elektro- und Elektronikgeräten“

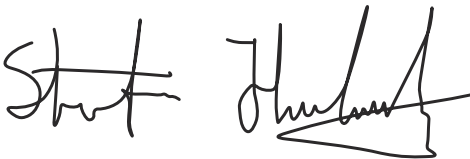
und dass die folgenden Normen und/oder technischen Daten angewendet werden: IEC 60335-2-100, EN IEC 63000:2018.

RISE SMP Svensk Maskinprovning AB, Box 7035, SE-750 07 Uppsala, Sweden hat im Auftrag von Husqvarna AB eine freiwillige Typenprüfung durchgeführt. Certificate number: SEC/15/2416 – Husqvarna BA101.

RISE SMP Svensk Maskinprovning AB, Box 7035, SE-750 07 Uppsala, Sweden hat auch die Übereinstimmung mit Anhang V der Richtlinie 2000/14/EG bestätigt. Certificate number: 01/012/014.

Informationen zu Geräuschemissionen finden Sie unter *Technische Angaben auf Seite 65*.

Huskvarna, 2022-05-09



Stefan Holmberg, R&D Director, Technology Management, Husqvarna AB

Verantwortlich für die technische Dokumentation



Περιεχόμενα

Εισαγωγή.....	69	Μεταφορά, αποθήκευση και απόρριψη.....	79
Ασφάλεια.....	71	Τεχνικά στοιχεία.....	79
Λειτουργία.....	78	Δήλωση Συμμόρφωσης.....	82
Συντήρηση.....	78		

Εισαγωγή

Περιγραφή προϊόντος

Εφαρμόζουμε μια πολιτική συνεχούς ανάπτυξης προϊόντων και, συνεπώς, διατηρούμε το δικαίωμα να προβούμε σε τροποποιήσεις στο σχεδιασμό και την εμφάνιση των προϊόντων χωρίς προειδοποίηση.

Περιεχόμενα Αυτό το εγχειρίδιο καλύπτει τις μονάδες παροχής ισχύος που λειτουργούν με βενζίνη και μπαταρία.

Προβλεπόμενη χρήση

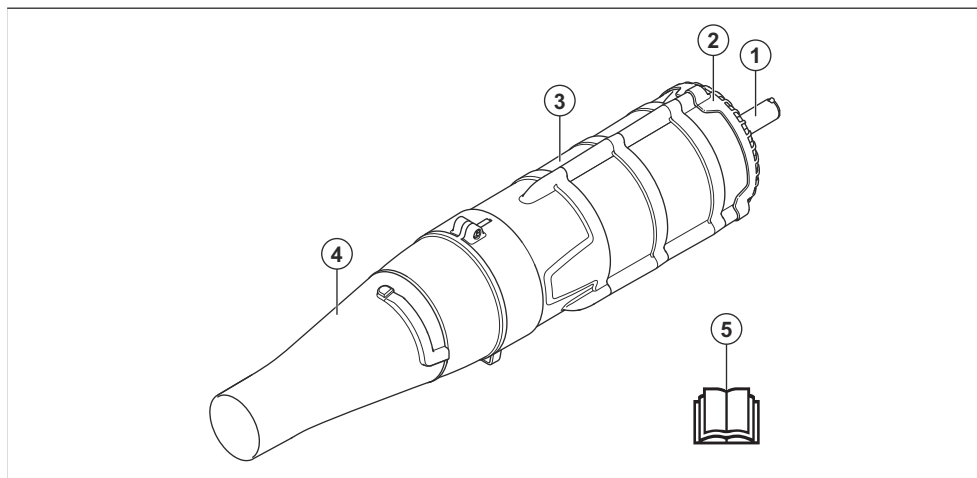


ΠΡΟΕΙΔΟΠΟΙΗΣΗ: Αυτό το παρελκόμενο επιτρέπεται να χρησιμοποιείται

μόνο σε συνδυασμό με την προβλεπόμενη μονάδα παροχής ισχύος. Ανατρέξτε στο κεφάλαιο για τα παρελκόμενα στο Εγχειρίδιο χρήσης της μονάδας παροχής ισχύος.

Το παρελκόμενο είναι σχεδιασμένο μόνο για τον καθαρισμό επιφανειών με γρασίδι, μονοπατιών, ασφαλτοστρωμένων δρόμων και παρόμοιων επιφανειών με εκφύσηση αέρα.

Επισκόπηση παρελκόμενου



1. Άξονας
2. Σήτα εισαγωγής αέρα
3. Περιβλήμα φτερωτής
4. Ακροφύσιο αέρα
5. Εγχειρίδιο χρήσης

Σύμβολα στο εξάρτημα και στη μονάδα παροχής ισχύος



Η απρόσεκτη ή λανθασμένη χρήση αυτού του εξαρτήματος μπορεί να προκαλέσει σοβαρό ή θανατηφόρο τραυματισμό στον χειριστή ή σε άλλα άτομα.



Διαβάστε το εγχειρίδιο χρήσης προσεκτικά και βεβαιωθείτε ότι έχετε κατανοήσει τις οδηγίες προτού χρησιμοποιήσετε το εξάρτημα.



Αυτό το εξάρτημα συμμορφώνεται με τις ισχύουσες οδηγίες ΕΚ.



Αυτό το προϊόν συμμορφώνεται με τις ισχύουσες οδηγίες του Η.Β.



Πρέπει να χρησιμοποιείτε εγκεκριμένα μέσα προστασίας της ακοής, των ματιών και της αναπνοής.



Χρησιμοποιείτε εγκεκριμένα προστατευτικά γάντια.



Εκπομπές θορύβου στο περιβάλλον σύμφωνα με την Οδηγία της Ευρωπαϊκής Κοινότητας. Οι εκπομπές καυσαερίων του εξαρτήματος αναφέρονται στο κεφάλαιο "Τεχνικά στοιχεία" και στη σχετική πινακίδα του.



Ο χειριστής του φυσητήρα πρέπει να εξασφαλίζει ότι δεν προσεγγίζουν το μηχάνημα πρόσωπα ή ζώα σε απόσταση μικρότερη των 15 μέτρων. Όταν εργάζονται πολλοί χειριστές στην ίδια τοποθεσία, πρέπει να τηρούν μια απόσταση ασφαλείας τουλάχιστον 15 μέτρων μεταξύ τους. Ο φυσητήρας μπορεί να εκσφενδονίσει αντικείμενα με μεγάλη δύναμη, τα οποία μπορούν να αναπηδήσουν προς τα πίσω. Αυτό μπορεί να έχει ως αποτέλεσμα σοβαρό τραυματισμό των ματιών, αν δεν χρησιμοποιηθεί ο συνιστώμενος εξοπλισμός ασφαλείας.



Ο φυσητήρας μπορεί να εκσφενδονίσει αντικείμενα με μεγάλη δύναμη, τα οποία μπορούν να αναπηδήσουν προς τα πίσω. Αυτό μπορεί να έχει ως αποτέλεσμα σοβαρό τραυματισμό των ματιών, αν δεν χρησιμοποιηθεί ο συνιστώμενος εξοπλισμός ασφαλείας.



Ο χειριστής του προϊόντος θα πρέπει, κατά τη διάρκεια της εργασίας του, να διασφαλίζει ότι δεν πλησιάζουν άνθρωποι ή ζώα σε απόσταση μικρότερη από 15 μέτρα από το προϊόν.



Ακρωτηριασμός των δαχτύλων ή του χεριού από το πτερύγιο φτερωτής. Μην ανοίγετε και μην αφαιρείτε τους προφυλακτήρες ή τα δίκτυα ασφαλείας ενώ λειτουργεί ο κινητήρας.

Περιεχόμενα Άλλα σύμβολα/σήματα που υπάρχουν στο παρελκόμενο αφορούν ειδικές απαιτήσεις πιστοποίησης για συγκεκριμένες αγορές.

Ορισμοί για την ασφάλεια

Για την επισημάνση ειδικών σημαντικών τμημάτων του εγχειριδίου χρήσης χρησιμοποιούνται προειδοποιήσεις, συστάσεις προσοχής και σημειώσεις.



ΠΡΟΕΙΔΟΠΟΙΗΣΗ:

Χρησιμοποιείται όταν υπάρχει κίνδυνος τραυματισμού ή θανάτου του χειριστή ή άλλων παριστάμενων ατόμων, αν δεν τηρηθούν οι οδηγίες που παρέχονται στο εγχειρίδιο.



ΠΡΟΣΟΧΗ:

Χρησιμοποιείται όταν υπάρχει κίνδυνος πρόκλησης ζημιάς στο προϊόν ή/και στο παρελκόμενο, σε άλλα υλικά ή στον παρακείμενο χώρο, αν δεν τηρηθούν οι οδηγίες που παρέχονται στο εγχειρίδιο.

Περιεχόμενα Χρησιμοποιείται για παροχή περισσότερων πληροφοριών, οι οποίες

χρειάζονται σε μια δεδομένη κατάσταση.

Γενικές οδηγίες ασφαλείας



ΠΡΟΕΙΔΟΠΟΙΗΣΗ:

Προτού χρησιμοποιήσετε το παρελκόμενο, διαβάστε τις παρακάτω οδηγίες ασφαλείας.

- Διαβάστε το εγχειρίδιο χρήσης προσεκτικά και βεβαιωθείτε ότι έχετε κατανοήσει τις οδηγίες προτού χρησιμοποιήσετε το παρελκόμενο.
- Για μια ολοκληρωμένη εικόνα των πληροφοριών για τον χρήστη, πρέπει να διαβάσετε το Εγχειρίδιο χρήσης σε συνδυασμό με το Εγχειρίδιο χρήσης της μονάδας παροχής ισχύος.
- Δεν επιτρέπονται, σε καμία περίπτωση, τροποποιήσεις στη σχεδίαση του παρελκόμενου χωρίς την έγκριση του κατασκευαστή. Μην χρησιμοποιείτε παρελκόμενα που φαίνεται ότι έχουν τροποποιηθεί από άλλους. Φροντίστε να χρησιμοποιείτε πάντα γνήσια αξεσουάρ. Η μη

εξουσιοδοτημένη εκτέλεση τροποποιήσεων ή/και η χρήση μη γνήσιων αξεσουάρ μπορεί να οδηγήσει σε σοβαρό προσωπικό τραυματισμό ή θάνατο του χειριστή ή άλλων ατόμων.

τον κατασκευαστή του ιατρικού εμφυτεύματος, πριν να θέσουν το προϊόν σε λειτουργία.

Οδηγίες ασφαλείας για τη λειτουργία



ΠΡΟΕΙΔΟΠΟΙΗΣΗ:

Προτού χρησιμοποιήσετε το προϊόν, διαβάστε τις παρακάτω προειδοποιητικές οδηγίες.



ΠΡΟΕΙΔΟΠΟΙΗΣΗ: Αυτό το προϊόν παράγει ηλεκτρομαγνητικό πεδίο κατά τη λειτουργία του. Το πεδίο αυτό, υπό ορισμένες συνθήκες, μπορεί να προκαλέσει παρεμβολές σε ενεργά ή παθητικά ιατρικά εμφυτεύματα. Προκειμένου να μειωθεί ο κίνδυνος παθήσεων που μπορεί να προκαλέσουν τραυματισμό ή θάνατο, συνιστούμε στα άτομα με ιατρικά εμφυτεύματα να συμβουλευτούν το θεράποντα ιατρό τους και

- Δεν πρέπει να χρησιμοποιείτε ποτέ το προϊόν αν είστε κουρασμένοι, εάν είστε άρρωστοι, εάν έχετε καταναλώσει αλκοόλ ή ναρκωτικές ουσίες ή αν λαμβάνετε φάρμακα που μπορεί να επηρεάσουν την όρασή σας, την κρίση σας ή τον συντονισμό των κινήσεών σας.
- Μην χρησιμοποιείτε ποτέ το προϊόν εάν παρουσιάζει πρόβλημα.
- Όλα τα καλύμματα και τα προστατευτικά πρέπει να είναι τοποθετημένα στο μηχάνημα πριν το θέσετε σε λειτουργία. Αν το προϊόν που διαθέτετε είναι βενζινοκίνητο, βεβαιωθείτε ότι το καπάκι του μπουζί και το καλώδιο ανάφλεξης δεν έχουν υποστεί ζημιά, ώστε να αποφύγετε τον κίνδυνο ηλεκτροπληξίας.
- Ο χειριστής του φυσητήρα πρέπει να εξασφαλίζει ότι δεν προσεγγίζουν το μηχάνημα πρόσωπα ή ζώα σε απόσταση μικρότερη των 15 μέτρων. Όταν εργάζονται πολλοί χειριστές στην ίδια

τοποθεσία, πρέπει να τηρούν μια απόσταση ασφαλείας τουλάχιστον 15 μέτρων μεταξύ τους.

- Μην επιτρέπετε ποτέ σε παιδιά να χρησιμοποιούν το προϊόν.
- Μην επιτρέπετε ποτέ σε άλλα άτομα να χρησιμοποιούν το προϊόν χωρίς να έχετε προηγουμένως διασφαλίσει ότι έχουν διαβάσει και κατανοήσει το περιεχόμενο του εγχειριδίου χρήσης.
- Δεν πρέπει ποτέ να αφαιρείτε τη σήτα εισαγωγής αέρα.
- Ποτέ μην αγγίζετε το μπουζί ή το καλώδιο ανάφλεξης, ενώ ο κινητήρας είναι σε λειτουργία. Μπορεί να προκληθεί ηλεκτροπληξία από την επαφή με το μπουζί ή τη φίσσα.
- Πρέπει πάντα να συμβουλευέστε τις τοπικές αρχές και να βεβαιώνετε ότι ακολουθείτε τις ισχύουσες οδηγίες.
- Μην πλησιάζετε οποιοδήποτε μέλος του σώματός σας σε καυτές επιφάνειες.
- Εάν προκύψει μια κατάσταση όπου δεν είστε σίγουροι για το πώς πρέπει να προχωρήσετε, θα πρέπει να ζητήσετε τη συμβουλή ειδικού. Επικοινωνήστε με

τον αντιπρόσωπο ή το συνεργείο σας. Αποφεύγετε τις καταστάσεις χρήσης, τις οποίες θεωρείτε πέραν των δυνατοτήτων σας.

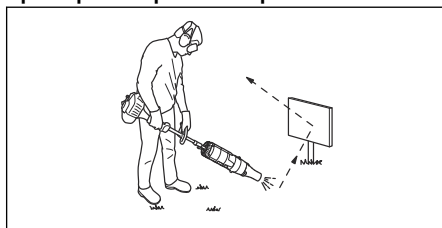
- Διατηρείτε το άνοιγμα του φυσητήρα όσο το δυνατόν πιο κοντά στο έδαφος. Πρέπει να χρησιμοποιείτε ολόκληρο το μήκος του σωλήνα του φυσητήρα για να διατηρείτε το ρεύμα αέρα κοντά στο έδαφος.
- Φροντίστε να χρησιμοποιείτε το μηχάνημα στη διάρκεια των κανονικών ωρών εργασίας, για να αποφύγετε την πρόκληση ανεπιθύμητης ενόχλησης. Αποφύγετε την εργασία νωρίς το πρωί ή αργά τη νύχτα.
- Επιδείξτε προσοχή στο περιβάλλον σας. Αν πλησιάσει οποιοσδήποτε στην περιοχή εργασίας σας, απελευθερώστε το γκάζι/τη σκανδάλη γκαζιού, μέχρι αυτό το πρόσωπο να απομακρυνθεί σε ασφαλή απόσταση. Μην κατευθύνετε τον φυσητήρα σε ανθρώπους, ζώα, περιοχές παιχνιδιού, ανοιχτά παράθυρα, αυτοκίνητα κ.λπ. Η δύναμη του αέρα μπορεί να προκαλέσει την εκτόξευση ή τον εξοστρακισμό πετρών, χωμάτων ή κομματιών

ξύλου, με αποτέλεσμα να προκληθούν τραυματισμοί σε ανθρώπους ή ζώα, θραύσεις τζαμιών ή άλλες ζημιές.

- Ποτέ μη βάζετε τα χέρια ή άλλα αντικείμενα στο περίβλημα του φυσητήρα για να αποφευχθεί σοβαρός τραυματισμός από την περιστρεφόμενη φτερωτή.
- Διατηρήστε την εξωτερική επιφάνεια καθαρή από λάδι και καύσιμο.
- Μη χρησιμοποιείτε ποτέ το μηχάνημα για τη διανομή χημικών, λιπασμάτων ή άλλων ουσιών οι οποίες μπορεί να περιέχουν τοξικά υλικά.
- Για να αποφύγετε την εξάπλωση της φωτιάς, μην χρησιμοποιείτε το προϊόν κοντά σε φύλλα ή θάμνους που καίγονται, σε τζάκια, σε εστίες μπάρμπεκιου, σε σταχτοδοχεία κ.λπ.
- Δεν πρέπει ποτέ να καταβρέχετε ή να εκτινάσσετε νερό ή άλλο υγρό πάνω στο παρελκόμενο.
- Πρέπει πάντα να κρατάτε το μηχάνημα και με τα δύο χέρια. Φροντίστε να κρατάτε το μηχάνημα πλάι στο σώμα σας.
- Αν το προϊόν που διαθέτετε είναι βενζινοκίνητο, πρέπει

να αφήνετε τον κινητήρα να κρυώσει πριν από τον ανεφοδιασμό με καύσιμο.

- Τα ισχυρά ρεύματα αέρα μπορεί να μετακινήσουν αντικείμενα με τόσο μεγάλη ταχύτητα, ώστε να αναπηδήσουν και να προκαλέσουν σοβαρό τραυματισμό στα μάτια.

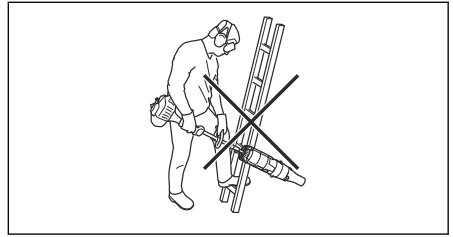


- Προτού συναρμολογήσετε ή αποσυναρμολογήσετε αξεσουάρ ή άλλα εξαρτήματα, πρέπει να σβήνετε τον κινητήρα/το μοτέρ.
- Μην χρησιμοποιείτε το προϊόν όταν επικρατούν κακές καιρικές συνθήκες, για παράδειγμα πυκνή ομίχλη, δυνατή βροχή, ισχυροί άνεμοι, έντονο κρύο κ.λπ. Η εργασία σε κακές καιρικές συνθήκες είναι κουραστική και μπορεί να δημιουργήσει επικίνδυνες καταστάσεις π.χ. ολισθηρές επιφάνειες.
- Βεβαιωθείτε ότι μπορείτε να κινηθείτε και να σταθείτε όρθιοι με ασφάλεια. Ελέγξτε την περιοχή γύρω σας για πιθανά εμπόδια (ρίζες, βράχια, κλαδιά, χαντάκια

κ.λπ.) σε περίπτωση που χρειαστεί να μετακινηθείτε ξαφνικά. Να είστε ιδιαίτερα προσεκτικοί όταν εργάζεστε σε έδαφος με κλίση.



- Μην τοποθετείτε ποτέ το προϊόν κάτω όταν ο κινητήρας/το μοτέρ είναι σε λειτουργία, παρά μόνο εάν είστε σε θέση να το παρακολουθείτε καλά.
- Αν το προϊόν που διαθέτετε είναι βενζινοκίνητο, πρέπει να θυμάστε ότι τα καυσαέρια του κινητήρα περιέχουν μονοξείδιο του άνθρακα, το οποίο μπορεί να προκαλέσει δηλητηρίαση. Γι' αυτόν το λόγο, δεν πρέπει να εκκινείτε ή να χρησιμοποιείτε το προϊόν σε εσωτερικούς χώρους ή σε οποιοδήποτε ανεπαρκώς εξαεριζόμενο χώρο.
- Ο φυσητήρας δεν πρέπει να χρησιμοποιείται ενώ βρίσκεστε σε σκάλα, σκαλωσιά ή σε ψηλά σημεία (όπως οροφές). Μια τέτοια εργασία μπορεί να οδηγήσει σε σοβαρό τραυματισμό.



- Μην χρησιμοποιείτε το προϊόν παρά μόνο όταν έχετε τη δυνατότητα να καλέσετε σε βοήθεια σε περίπτωση ατυχήματος.
- Μην τοποθετείτε ποτέ αντικείμενα στο άνοιγμα εισαγωγής αέρα διότι μπορεί να περιορίσουν τη ροή του αέρα και να προκαλέσουν ζημιά στη συσκευή.
- Βεβαιωθείτε ότι το μηχάνημα δεν προσκρούει σε φράχτες, δέντρα ή άλλα σκληρά υλικά. Σε αυτήν την περίπτωση μπορεί να προκληθεί ζημιά στο μηχάνημα και σοβαρός τραυματισμός.
- Να επιδεικνύετε ιδιαίτερη προσοχή για τυχόν προειδοποιητικά σήματα ή κραυγές όταν φοράτε τα προστατευτικά ακοής. Να αφαιρείτε πάντα τα προστατευτικά ακοής μόλις σβήσει ο κινητήρας/το μοτέρ.

Προσωπικός εξοπλισμός προστασίας



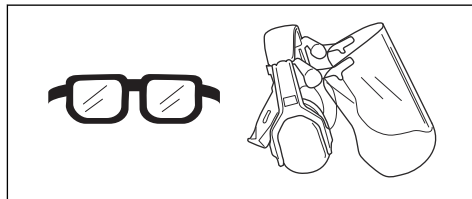
ΠΡΟΕΙΔΟΠΟΙΗΣΗ:

Προτού χρησιμοποιήσετε

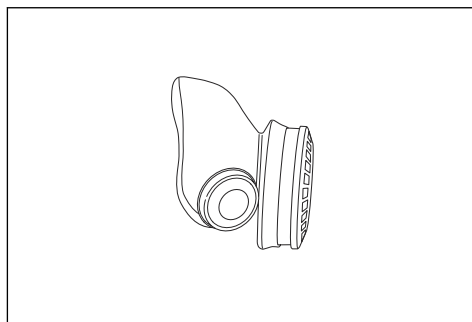
το προϊόν, διαβάστε τις παρακάτω προειδοποιητικές οδηγίες.

- Όταν χρησιμοποιείτε το προϊόν, να φοράτε πάντα εγκεκριμένο προσωπικό εξοπλισμό προστασίας. Ο προσωπικός εξοπλισμός προστασίας δεν μπορεί να εξαλείψει τον κίνδυνο τραυματισμών, ωστόσο μειώνει τη σοβαρότητά τους σε περίπτωση ατυχήματος. Ο αντιπρόσωπος θα σας βοηθήσει να επιλέξετε το σωστό εξοπλισμό.
- Να χρησιμοποιείτε εγκεκριμένα προστατευτικά ακοής που παρέχουν επαρκή μείωση θορύβου. Η μακροχρόνια έκθεση στο θόρυβο μπορεί να προκαλέσει μόνιμη βλάβη στην ακοή.
- Χρησιμοποιείτε εγκεκριμένη προστασία των ματιών. Εάν χρησιμοποιείτε προστατευτικό γείσο, πρέπει επίσης να χρησιμοποιείτε πάντα εγκεκριμένα προστατευτικά γυαλιά. Τα εγκεκριμένα προστατευτικά γυαλιά πρέπει να συμμορφώνονται με το πρότυπο ANSI Z87.1 στις

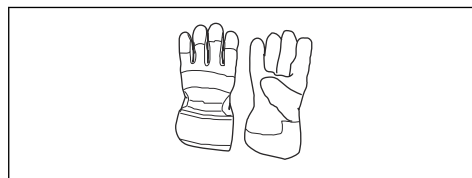
Η.Π.Α. ή το πρότυπο EN 166 στις χώρες της Ε.Ε.



- Χρησιμοποιείτε μέσα προστασίας αναπνοής όταν υπάρχει κίνδυνος σκόνης.



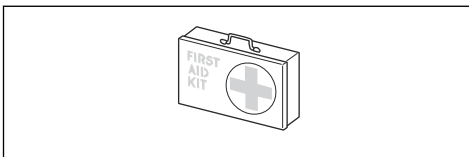
- Όποτε χρειάζεται, πρέπει να χρησιμοποιείτε γάντια, για παράδειγμα κατά τη σύνδεση, την επιθεώρηση ή τον καθαρισμό του εξοπλισμού.



- Να χρησιμοποιείτε ανθεκτικές, αντιολισθητικές μπότες ή παπούτσια.



- Να φοράτε ρούχα από ανθεκτικό ύφασμα. Να φοράτε πάντα ανθεκτικό μακρύ παντελόνι και μακριά μανίκια. Να μην φοράτε φαρδιά ρούχα που μπορεί να πιαστούν σε κλωνάρια και κλαδιά. Να μην φοράτε κοσμήματα, κοντά παντελόνια, σανδάλια και να μην είστε ξυπόλυτοι. Να δένετε τα μαλλιά σας με ασφάλεια πάνω από το ύψος των ώμων.
- Να φροντίζετε να υπάρχει εξοπλισμός πρώτων βοηθειών σε κοντινή απόσταση.



Οδηγίες ασφαλείας για τη συντήρηση



ΠΡΟΕΙΔΟΠΟΙΗΣΗ:

Προτού χρησιμοποιήσετε

το προϊόν, διαβάστε τις παρακάτω προειδοποιητικές οδηγίες.

Πραγματοποιήστε γενική επιθεώρηση του προϊόντος πριν από τη χρήση. Ανατρέξτε στο πρόγραμμα συντήρησης.

Φροντίστε να εκτελείτε τη συντήρηση και να ακολουθείτε τις οδηγίες για το σέρβις που περιγράφονται στο παρόν εγχειρίδιο. Μερικά μέτρα συντήρησης και επισκευής πρέπει να εκτελούνται από εκπαιδευμένο και ειδικευμένο προσωπικό. Δείτε τις οδηγίες στην ενότητα με τίτλο Συντήρηση.

Προτού ξεκινήσετε τις εργασίες, πρέπει πάντα να βεβαιώνεστε ότι δεν υπάρχουν αντικείμενα που μπορεί να φράξουν τη σήτα εισαγωγής αέρα.

Για την αποφυγή ζημιάς λόγω πτώσης του προϊόντος, η συναρμολόγηση και αποσυναρμολόγηση θα πρέπει να εκτελούνται κοντά στην επιφάνεια του εδάφους.

Λειτουργία

Χρήση του παρελκόμενου

Περιεχόμενα Δείξτε ότι νοιάζεστε για τα άτομα γύρω σας αποφεύγοντας τη χρήση του μηχανήματος σε ακατάλληλες ώρες, όπως αργά το βράδυ ή νωρίς το πρωί. Μειώστε τα επίπεδα θορύβου ελαττώνοντας τον αριθμό των μονάδων εξοπλισμού που χρησιμοποιούνται ταυτόχρονα. Διαβάστε καλά και ακολουθήστε αυτές τις απλές οδηγίες, ώστε να διατηράσετε το περιβάλλον γύρω σας όσο το δυνατόν λιγότερο.

1. Χρησιμοποιήστε τσουγκράνα ή βούρτσα για να αποδεσμεύσετε τα σκουπίδια που είναι κολλημένα στο έδαφος.
2. Καθαρίστε τις γωνίες ξεκινώντας από μέσα προς τα έξω. Με τον τρόπο αυτό, αποτρέπεται η συσσώρευση υπολειμμάτων που θα μπορούσαν να εκτοξευθούν στο πρόσωπό σας.
3. Χρησιμοποιήστε τον φυσητήρα με τη χαμηλότερη δυνατή ρύθμιση του γκαζιού/των στροφών. Σπανίως χρειάζεται να χρησιμοποιηθεί η μέγιστη ρύθμιση γκαζιού/στροφών και πολλές εργασίες μπορούν να εκτελεστούν με το γκάζι/τις στροφές στη μεσαία ρύθμιση. Η χαμηλότερη ρύθμιση του γκαζιού/των στροφών σημαίνει λιγότερο θόρυβο και λιγότερη σκόνη, ενώ επίσης διευκολύνει τον έλεγχο των σκουπιδιών που συγκεντρώνονται/μετακινούνται.
4. Ελαχιστοποιήστε το χρόνο χρήσης του φυσητήρα, υγραίνοντας ελαφρά τις σκονισμένες περιοχές ή χρησιμοποιώντας εξοπλισμό ψεκασμού.

5. Μειώστε την κατανάλωση νερού χρησιμοποιώντας φυσητήρες αντί για σωλίνες νερού για διάφορες εφαρμογές γύρω από το γρασίδι και τον κήπο, όπως πλέγματα, παραπετάσματα, γρίλιες, σκεπαστές εισόδους κ.λπ.
6. Απαιτείται προσοχή κατά την εκτέλεση εργασιών κοντά σε φυτά. Η δύναμη της ροής αέρα μπορεί να καταστρέψει ευαίσθητα φυτά.
7. Η ταχύτητα του εκτοξευόμενου αέρα ρυθμίζεται μέσω του γκαζιού/της σκανδάλης γκαζιού. Επιλέξτε τις κατάλληλες στροφές για την εκάστοτε εργασία.
8. Πρέπει να προσέχετε την κατεύθυνση του ανέμου. Οι εργασίες γίνονται πιο εύκολα προς την κατεύθυνση του ανέμου.
9. Η χρήση του φυσητήρα για μετακίνηση μεγάλων σωρών είναι χρονοβόρα και παράγει περιττό θόρυβο.
10. Να διατηρείτε καλή ισορροπία και σταθερό πάτημα.
11. Όταν εργάζεστε με το προϊόν, διατηρήστε τον σωλήνα σε απόσταση από το έδαφος και φροντίστε να μην έρχεται σε επαφή με το έδαφος.
12. Πρέπει να καθαρίζετε την περιοχή μετά το τέλος της εργασίας. Φροντίστε να μην ωθείτε με τον αέρα τα σκουπίδια στον κήπο κάποιου άλλου. Απορρίψτε τα υπολείμματα σε κάδους απορριμμάτων.
13. Όταν ολοκληρωθεί η εργασία, θα πρέπει να αποθηκεύσετε το μηχανήμα σε οριζόντια θέση.

Συντήρηση

Εισαγωγή

Παρακάτω θα βρείτε ορισμένες γενικές οδηγίες συντήρησης. Εάν χρειαστείτε περισσότερες πληροφορίες, μπορείτε να επικοινωνήσετε με το συνεργείο της περιοχής σας.

Καθημερινή συντήρηση του παρελκόμενου



ΠΡΟΕΙΔΟΠΟΙΗΣΗ: Πρέπει πάντα να σβήνετε τον κινητήρα/το μοτέρ προτού καθαρίσετε το παρελκόμενο ή προτού εκτελέσετε συντήρηση σε αυτό. Αν το

προϊόν που διαθέτετε είναι βενζινοκίνητο, αποσυνδέστε το καλώδιο της ανάφλεξης από το μπουζί. Εάν διαθέτετε ένα προϊόν που λειτουργεί με μπαταρία, αφαιρέστε την μπαταρία.

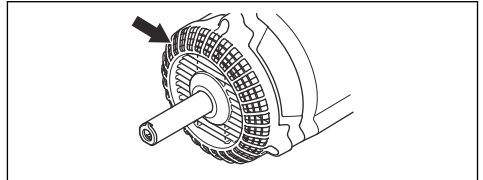


ΠΡΟΕΙΔΟΠΟΙΗΣΗ: Μην πλησιάζετε οποιοδήποτε μέλος του σώματός σας σε καυτές επιφάνειες.

1. Καθαρίζετε τις εξωτερικές επιφάνειες του φυσητήρα.
2. Βεβαιωθείτε ότι δεν υπάρχουν ρωγμές σε ολόκληρο το περίβλημα.
3. Βεβαιωθείτε ότι το προϊόν βρίσκεται σε άριστη κατάσταση λειτουργίας.
4. Βεβαιωθείτε ότι όλα τα παξιμάδια και οι βίδες είναι σφιγμένα.
5. Καθαρίστε τις ετικέτες με ένα υγρό πανί και ένα ήπιο απορρυπαντικό.

Έλεγχος της σήτας εισαγωγής αέρα

1. Ελέγξτε ότι η είσοδος αέρα δεν φράσσεται σε καμία πλευρά της, συμπεριλαμβανομένης της κάτω πλευράς, για παράδειγμα, από φύλλα ή σκουπίδια. Αν η εισαγωγή αέρα φράξει, μειώνεται η δυνατότητα εκφύσησης αέρα του προϊόντος και αυξάνεται η θερμοκρασία λειτουργίας του κινητήρα/του μοτέρ. Η αυξημένη θερμοκρασία μπορεί να προκαλέσει βλάβη του κινητήρα/του μοτέρ. Σβήστε τον κινητήρα/το μοτέρ και αφαιρέστε το αντικείμενο.



Μεταφορά, αποθήκευση και απόρριψη

Μεταφορά και αποθήκευση

Εκτελέστε τα παρακάτω βήματα μετά από κάθε χρήση:

- Αφήστε να κρυώσει το εξάρτημα πριν την αποθήκευση ή τη μεταφορά.
- Αποθηκεύστε σε ψηλό, δροσερό, στεγνό, εσωτερικό χώρο μακριά από παιδιά.

ΕΠΟΧΙΑΚΗ ΑΠΟΘΗΚΕΥΣΗ

Προετοιμάστε το παρελκόμενο για αποθήκευση στο τέλος της σεζόν ή όταν δεν πρόκειται να χρησιμοποιηθεί

για 30 ημέρες ή περισσότερο. Εάν πρόκειται το εξάρτημα φυσητήρα να αποθηκευτεί για κάποια χρονική περίοδο:

- Καθαρίστε τη μονάδα.
- Επιθεωρήστε το εξάρτημα για φθαρμένα ή χαλασμένα εξαρτήματα. Σφίξτε όποιες βίδες έχουν χαλαρώσει.
- Αντικαταστήστε τυχόν κατεστραμμένα, φθαρμένα ή σπασμένα εξαρτήματα.
- Στην αρχή της επόμενης σεζόν, χρησιμοποιήστε μόνο φρέσκο καύσιμο με τη σωστή αναλογία βενζίνης-λαδιού.

Τεχνικά στοιχεία

Τεχνικά στοιχεία για τα προϊόντα με βενζινοκινητήρα

BA101	
Βάρος	
Βάρος, κιλά	1,9
Εκπομπές θορύβου	
Στάθμη ηχητικής ισχύος, μετρούμενη τιμή σε dB (A)	109
Στάθμη ηχητικής ισχύος, εγγυημένη, L_{WA} σε dB (A)	112
Επίπεδα θορύβου ³⁶	
Ισοδύναμη στάθμη ηχητικής πίεσης στα αφτιά του χειριστή, μετρημένη κατά EN15503 dB(A)	99

³⁶ Η τιμή της ισοδύναμης στάθμης ηχητικής πίεσης υπολογίζεται με κύκλο εργασίας διάρκειας 1/7 στο ρελαντί και 6/7 σε υψηλές στροφές. Τα καταγεγραμμένα στοιχεία για την αντίστοιχη στάθμη ηχητικής πίεσης για το μηχάνημα έχουν μια τυπική στατιστική διασπορά (τυπική απόκλιση) της τάξης του 1 dB(A).

BA101	
Επίπεδα κραδασμών ³⁷	
Ισοδύναμες στάθμες κραδασμών ($a_{\text{Hv,eq}}$) στις λαβές, μετρημένες κατά EN 15503, m/s^2	
Μπροστινές/πίσω λαβές:	5,6/8,3
Απόδοση ανεμιστήρα ³⁸	
Μέγιστη ταχύτητα αέρα με τυπικό ακροφύσιο, m/s :	66
Παροχή αέρα με τυπικό ακροφύσιο, m^3/min	15

Τεχνικά στοιχεία για τα προϊόντα που λειτουργούν με μπαταρία

325iLK + Blower attachment BA101	
Βάρος	
Βάρος, κιλά	2,3+1,9
Εκπομπές θορύβου ³⁹	
Στάθμη ηχητικής ισχύος, μετρούμενη τιμή σε dB (A)	103
Στάθμη ηχητικής ισχύος, εγγυημένη, L_{WA} σε dB (A)	106
Επίπεδα θορύβου ⁴⁰	
Στάθμη ηχητικής πίεσης στα αφτιά του χειριστή, μετρημένη κατά ISO 26868, dB(A)	
Εξοπλισμένο με εγκεκριμένο (γνήσιο) εξάρτημα, dB (A)	93
Επίπεδα κραδασμών ⁴¹	
Στάθμες κραδασμών στις λαβές, μετρημένες κατά EN 62841-1, σε m/s^2	
Εξοπλισμένο με εγκεκριμένο (γνήσιο) εξάρτημα, αριστερά/δεξιά m/s	1,6/1,1
Απόδοση ανεμιστήρα ⁴²	
Παροχή αέρα κατά την κανονική λειτουργία με στάνταρ ακροφύσιο, m^3/min	14

³⁷ Η τιμή της ισοδύναμης στάθμης κραδασμών υπολογίζεται με κύκλο εργασιών διάρκειας 1/7 για ρελαντί και 6/7 για υψηλές στροφές. Τα καταγεγραμμένα στοιχεία για την ισοδύναμη στάθμη κραδασμών έχουν τυπική στατιστική διασπορά (τυπική απόκλιση) ίση με 1 m/s^2 .

³⁸ Μαζί με τη μονάδα κινητήρα 525LK/GC2225C.

³⁹ Οι εκπομπές θορύβου στο περιβάλλον, οι οποίες μετρούνται ως ηχητική ισχύς (L_{WA}), σε συμμόρφωση με την Οδηγία 2000/14/ΕΚ. Η καταγεγραμμένη στάθμη ηχητικής ισχύος για το μηχανήμα έχει μετρηθεί με το αυθεντικό παρελκόμενο κοπής, που δίνει την υψηλότερη στάθμη. Η διαφορά μεταξύ της εγγυημένης και της μετρούμενης ηχητικής ισχύος είναι ότι η εγγυημένη ηχητική ισχύς περιλαμβάνει επίσης τη διασπορά στο αποτέλεσμα της μέτρησης και τις αποκλίσεις μεταξύ των διαφορετικών μηχανημάτων του ίδιου μοντέλου σύμφωνα με την Οδηγία 2000/14/ΕΚ.

⁴⁰ Τα καταγεγραμμένα στοιχεία για τη στάθμη ηχητικής πίεσης του μηχανήματος παρουσιάζουν τυπική στατιστική διασπορά (τυπική απόκλιση) 3 dB (A). Η μέτρηση έχει γίνει με το αρχικό παρελκόμενο, το οποίο παρέχει την υψηλότερη στάθμη. Μετρημένη μαζί με τη μονάδα κινητήρα 325iLK.

⁴¹ Τα καταγεγραμμένα στοιχεία για τη στάθμη κραδασμών έχουν μία τυπική στατιστική διασπορά (τυπική απόκλιση) της τάξης του 2 m/s^2 . Για σύγκριση της στάθμης κραδασμών στα προϊόντα με μπαταρία και με κινητήρα εσωτερικής καύσης, χρησιμοποιήστε τη σελίδα υπολογισμού κραδασμών. Ανατρέξτε στη διεύθυνση <https://www.husqvarna.com/uk/services-solutions/vibration-calculator/>. Μετρημένη μαζί με τη μονάδα κινητήρα 325iLK.

⁴² Μετρημένη μαζί με τη μονάδα κινητήρα 325iLK.

325iLK + Blower attachment BA101

Μέγιστη ταχύτητα αέρα κατά την κανονική λειτουργία με τυπικό ακροφύσιο, m/s:

52

Δήλωση Συμμόρφωσης

Δήλωση συμμόρφωσης ΕΕ

Εμείς, η **Husqvarna AB**, SE-561 82 Huskvarna, Σουηδία,
τηλ.: +46-36-146500, δηλώνουμε με αποκλειστική μας
ευθύνη ότι το προϊόν:

Περιγραφή	Εξάρτημα φυσητήρα
Μάρκα	Husqvarna
Τύπος / Μοντέλο	BA101
Αναγνώριση	Αριθμοί σειράς με ημερομηνία από το 2022 και έπειτα

συμμορφώνεται πλήρως με τις ακόλουθες οδηγίες και
τους κανονισμούς της ΕΕ:

Κανονισμός	Περιγραφή
2006/42/EK	"σχετικά με τα μηχανήματα"
2000/14/EK	"σχετικά με τις εκπομπές θορύβου στο περιβάλλον"
2011/65/EE	"σχετικά με τον περιορισμό της χρήσης ορισμένων επικίνδυνων ουσιών σε είδη ηλεκτρικού και ηλεκτρονικού εξοπλισμού"

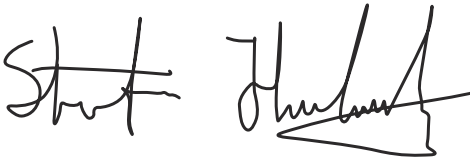
και ότι εφαρμόζονται τα παρακάτω πρότυπα ή/και
τεχνικές προδιαγραφές: EN15503:2009+A2:2015, EN
ISO 12100:2021, EN IEC 63000:2018.

Η RISE SMP Svensk Maskinprovning AB, Box 7035,
SE-750 07 Uppsala, Sweden έχει διενεργήσει εθελοντικά
εξέταση τύπου για λογαριασμό της Husqvarna AB.

Αριθμός πιστοποιητικού: SEC/15/2416 – Husqvarna
BA101.

Για πληροφορίες σχετικά με τις εκπομπές θορύβου,
ανατρέξτε στην ενότητα *Τεχνικά στοιχεία στη σελίδα 79*.

Huskvarna, 2022-05-09



Stefan Holmberg, Διευθυντής Έρευνας και Ανάπτυξης,
Διαχείριση τεχνολογίας, Husqvarna AB

Υπεύθυνος για την τεχνική τεκμηρίωση



Δήλωση συμμόρφωσης ΕΕ

Εμείς, η **Husqvarna AB**, SE-561 82 Huskvarna, Σουηδία,
τηλ.: +46-36-146500, δηλώνουμε με αποκλειστική μας
ευθύνη ότι το προϊόν:

Περιγραφή	Εξάρτημα φυσητήρα με μονάδα ισχύος Husqvarna325iLK
Μάρκα	Husqvarna
Τύπος / Μοντέλο	BA101
Αναγνώριση	Αριθμοί σειράς με ημερομηνία από το 2022 και έπειτα

συμμορφώνεται πλήρως με τις ακόλουθες οδηγίες και
τους κανονισμούς της ΕΕ:

Κανονισμός	Περιγραφή
2006/42/EK	"σχετικά με τα μηχανήματα"
2000/14/EK	"σχετικά με τις εκπομπές θορύβου στο περιβάλλον"
2011/65/EE	"σχετικά με τον περιορισμό της χρήσης ορισμένων επικίνδυνων ουσιών σε είδη ηλεκτρικού και ηλεκτρονικού εξοπλισμού"

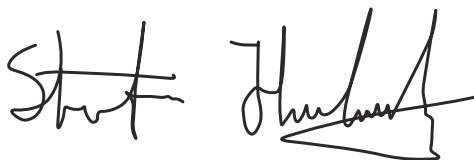
και ότι εφαρμόζονται τα παρακάτω πρότυπα ή/και
τεχνικές προδιαγραφές: IEC 60335-2-100, EN IEC
63000:2018.

Η RISE SMP Svensk Maskinprovning AB, Box 7035,
SE-750 07 Uppsala, Sweden έχει διενεργήσει εθελοντικά
εξέταση τύπου για λογαριασμό της Husqvarna AB.
Αριθμός πιστοποιητικού: SEC/15/2416 – Husqvarna
BA101.

Η RISE SMP Svensk Maskinprovning AB, Box 7035,
SE-750 07 Uppsala, Sweden έχει επίσης επαληθεύσει
τη συμβατότητα με το παράρτημα V της οδηγίας
2000/14/EK του Συμβουλίου. Αριθμός πιστοποιητικού:
01/012/014.

Για πληροφορίες σχετικά με τις εκπομπές θορύβου,
ανατρέξτε στην ενότητα *Τεχνικά στοιχεία στη σελίδα 79*.

Huskvarna, 2022-05-09



Stefan Holmberg, Διευθυντής Έρευνας και Ανάπτυξης,
Διαχείριση τεχνολογίας, Husqvarna AB

Υπεύθυνος για την τεχνική τεκμηρίωση



Contenido

Introducción.....	84	Transporte, almacenamiento y eliminación.....	93
Seguridad.....	85	Datos técnicos.....	93
Funcionamiento.....	91	Declaración de conformidad.....	95
Mantenimiento.....	92		


Introducción

Descripción del producto

Trabajamos constantemente para perfeccionar nuestros productos y nos reservamos, por lo tanto, el derecho a introducir modificaciones en la construcción y el diseño sin previo aviso.

Nota: El presente manual trata tanto las unidades de alimentación de gasolina como las de batería.

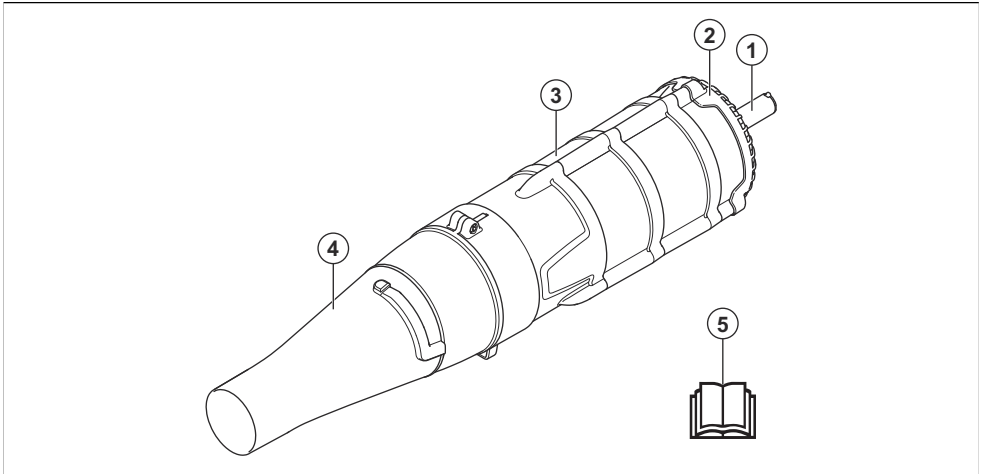
Uso previsto

 **ADVERTENCIA:** Este accesorio solo se puede

utilizar con la unidad de alimentación prevista. Consulte el capítulo sobre accesorios del manual de usuario de la unidad de alimentación.

El accesorio está diseñado solamente para limpiar con aire césped, caminos, vías asfaltadas y similares.

Vista general del equipo



1. Tubo
2. Rejilla de la toma de aire
3. Carcasa de ventilador
4. Tobera de aire
5. Manual de usuario

Símbolos que aparecen en el accesorio y la unidad de alimentación



Un uso descuidado o incorrecto de este equipo puede provocar heridas graves o mortales al usuario o a otras personas.



Lea atentamente el manual de usuario y asegúrese de que entiende las instrucciones antes de utilizar el equipo.



Este equipo cumple con las directivas CE vigentes.



Este producto cumple con las directivas del Reino Unido vigentes.



Utilice sistemas de protección auditiva, ocular y respiratoria homologados.



Utilice guantes protectores homologados.



Las emisiones sonoras en el entorno según la directiva de la Comunidad Europea. Las emisiones del accesorio se indican en el capítulo Datos técnicos y en la etiqueta.



El usuario del soplador debe asegurarse de que ninguna persona ni ningún animal se acerquen a menos de 15 metros. Cuando haya varios operarios trabajando en el mismo lugar, la distancia de seguridad entre ellos debe ser de 15 metros. El soplador de hojas puede hacer que salgan despedidos objetos con mucha fuerza que pueden rebotar. Si no se utiliza el equipo de seguridad recomendado, se pueden producir daños oculares graves.



El soplador de hojas puede hacer que salgan despedidos objetos con mucha fuerza que pueden rebotar. Si no se utiliza el equipo de seguridad recomendado, se pueden producir daños oculares graves.



El usuario del producto debe asegurarse de que ninguna persona ni ningún animal se acerquen a menos de 15 metros mientras se trabaja.



Amputación de dedos o mano por las aspas del ventilador. No abra ni retire las protecciones o las redes de seguridad mientras el motor está en marcha.

Nota: Los demás símbolos o etiquetas que aparecen en el equipo corresponden a requisitos de homologación específicos en determinados mercados.

Seguridad

Definiciones de seguridad

Las advertencias, precauciones y notas se utilizan para destacar información

especialmente importante del manual de usuario.



ADVERTENCIA: Indica un riesgo de lesiones o incluso de muerte

del usuario o de las personas cercanas si no se respetan las instrucciones del manual.



PRECAUCIÓN: Indica un riesgo de daños en el producto o en el accesorio, otros materiales o el área adyacente si no se respetan las instrucciones del manual.

Nota: Se usa para proporcionar más información necesaria en una situación determinada.

Instrucciones generales de seguridad



ADVERTENCIA: Lea las siguientes instrucciones de seguridad antes de utilizar el equipo.

- Lea detenidamente el manual de instrucciones y asegúrese de entender su contenido antes de utilizar el equipo.
- Este manual de usuario debe leerse junto con el manual de usuario de la unidad de alimentación para

conocer toda la información pertinente.

- Bajo ninguna circunstancia debe modificarse la configuración original del equipo sin autorización del fabricante. No utilice un equipo que parezca haber sido modificado por otras personas y emplee siempre accesorios originales. Las modificaciones y/o la utilización de accesorios no autorizadas pueden ocasionar accidentes graves o incluso la muerte del operario o de terceros.

Instrucciones de seguridad para el funcionamiento



ADVERTENCIA: Lea las siguientes instrucciones de advertencia antes de utilizar el producto.



ADVERTENCIA: Este producto genera un campo electromagnético durante el funcionamiento. Este campo magnético puede, en determinadas circunstancias, interferir con implantes médicos activos o pasivos. Para reducir el riesgo de

que se den condiciones que provocarían lesiones graves o letales, las personas que utilizan implantes médicos deben consultar con su médico y con el fabricante del implante antes de poner en marcha este producto.

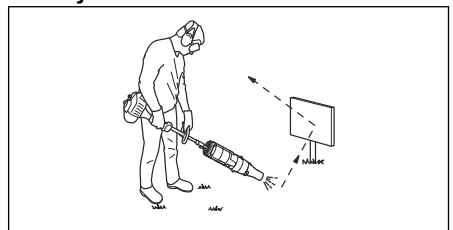
- No utilice nunca el producto si está cansado o enfermo, si ha bebido alcohol o ingerido otras drogas, o si utiliza algún medicamento que pueda afectar la visión, el juicio o la coordinación.
- No utilice nunca un producto defectuoso.
- Todas las cubiertas y protecciones deben estar montadas antes del arranque. Si se trata de un producto de gasolina, compruebe que el sombrerete de la bujía y el cable de encendido no presenten daños para evitar el riesgo de descarga eléctrica.
- El usuario del soplador debe asegurarse de que ninguna persona ni ningún animal se acerquen a menos de 15 metros. Cuando haya varios operarios trabajando en el mismo lugar de trabajo, la distancia de seguridad entre ellos debe ser de 15 metros.
- No permita nunca que los niños utilicen el producto.
- Nunca deje que otras personas utilicen el producto sin asegurarse primero de que hayan leído y entendido el contenido de este manual de usuario.
- Nunca retire la rejilla de la toma de aire.
- No toque nunca la bujía ni el cable de encendido con el motor en marcha. En caso de tocar la bujía o el enchufe puede recibir una descarga eléctrica.
- Consulte siempre a las autoridades para estar seguro de cumplir con el reglamento en vigor.
- Mantenga todas las partes del cuerpo alejadas de las superficies calientes.
- Cuando se vea en una situación insegura para continuar el trabajo, debe consultar a un experto. Póngase en contacto con su distribuidor o taller de servicio. Evite todo uso para el cual no se sienta suficientemente calificado.
- Mantenga la boca del tubo de soplado lo más cerca posible

del suelo. Utilice toda la longitud del tubo de soplado para mantener la corriente de aire cerca del suelo.

- Utilice la máquina durante el horario habitual de trabajo para evitar molestias innecesarias. Evite trabajar por la mañana temprano o a altas horas de la noche.
- Tenga en cuenta el espacio que le rodea. Si alguien se acerca a la zona de trabajo, suelte el acelerador/gatillo de alimentación hasta que la persona se aleje lo suficiente. No aproxime el soplador a personas, animales, zonas de juego, ventanas abiertas, coches, etc. La fuerza del aire puede hacer que alguna piedra, la suciedad o un palo salgan disparados o reboten, lo cual puede ocasionar lesiones en personas o animales, romper un cristal o provocar otros daños.
- Para evitar que la turbina rotativa cause lesiones graves, no introduzca las manos ni otros objetos en la carcasa del soplador.
- Mantenga la superficie externa limpia de aceite o combustible.
- Nunca utilice la unidad para esparcir productos

químicos, fertilizantes u otras sustancias que pudieran contener materiales tóxicos.

- Para evitar la propagación de incendios, no utilice la unidad cerca de hojas o arbustos ardiendo, chimeneas, barbacoas, ceniceros, etc.
- Nunca rocíe ni empape el accesorio con agua u otro líquido.
- Utilice siempre las dos manos para sostener la máquina. Mantenga la máquina al costado de su cuerpo.
- Si se trata de un producto que funcione a gasolina, deje que el motor se enfríe antes de repostar.
- La fuerte corriente de aire puede mover objetos a gran velocidad, lo cual puede hacer que reboten y provoquen heridas graves en los ojos.



- Pare el motor antes de montar o desmontar accesorios u otros componentes.

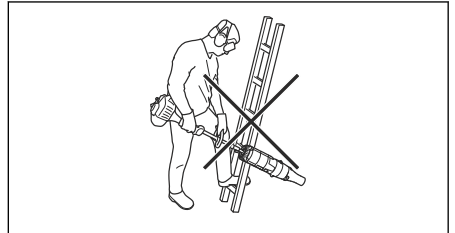
- No utilice el producto en condiciones climáticas desfavorables, como niebla densa, lluvia intensa, viento fuerte, frío extremo, etc. Trabajar con mal tiempo aumenta la fatiga y puede provocar condiciones peligrosas como, por ejemplo, superficies resbaladizas.
- Compruebe que pueda caminar y mantenerse de pie con seguridad. Vea si hay eventuales impedimentos para desplazamientos imprevistos (raíces, piedras, ramas, fosos, zanjas, etc.). Proceda con sumo cuidado al trabajar en terreno inclinado.



- No apoye nunca el producto con el motor en marcha sin tenerla bajo control.
- Si se trata de un producto de gasolina, los gases de escape del motor contienen monóxido de carbono; el monóxido de carbono puede provocar intoxicaciones. Por eso, nunca arranque ni haga funcionar el producto en recintos cerrados, o

cuando no exista una buena circulación de aire.

- La sopladora no debe utilizarse en las alturas: escaleras, andamios, techos, etc. De lo contrario, podrían producirse graves lesiones.



- No use el producto a no ser que sea capaz de pedir ayuda en caso de accidente.
- No introduzca objetos en la abertura de entrada de aire, ya que podría restringir la circulación de aire y ocasionar daños en la unidad.
- Asegúrese de que el producto no se golpee contra una valla, un árbol u otros materiales duros. Esto puede causar daños a la máquina y provocar lesiones graves.
- Cuando use protectores auriculares, preste siempre atención a las señales o llamadas de advertencia. Quítese siempre los protectores auriculares en cuanto se detenga el motor.

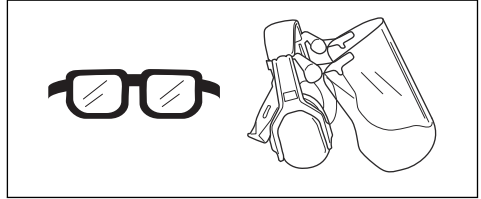
Equipo de protección personal



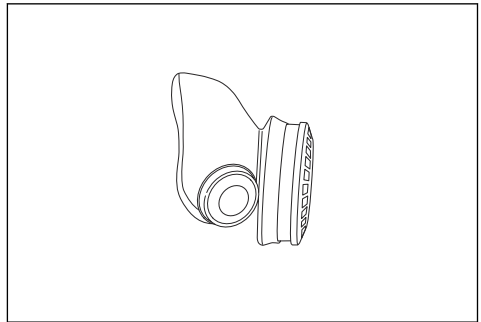
ADVERTENCIA: Lea las siguientes instrucciones de advertencia antes de utilizar el producto.

- Para trabajar con el producto, debe utilizar siempre un equipo de protección personal homologado. El equipo de protección personal no elimina completamente el riesgo de lesiones, pero reduce la gravedad de las lesiones en caso de accidente. Deje que el distribuidor le ayude a seleccionar el equipo adecuado.
- Use protectores auriculares homologados con suficiente capacidad de reducción sonora. La exposición prolongada al ruido puede causar daños crónicos en el oído.
- Utilice protección ocular homologada. Si se utiliza visor, deben utilizarse también gafas protectoras homologadas. Por gafas protectoras homologadas se entienden las que cumplen con la norma ANSI Z87.1

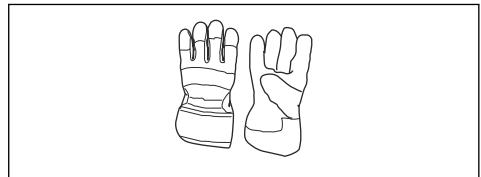
para EE. UU. o EN 166 para países de la UE.



- Utilice una máscara de protección respiratoria en caso de existir riesgo de polvo.



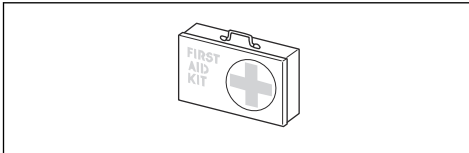
- Utilice guantes cuando sea necesario, por ejemplo, para el montaje, inspección o limpieza del equipo.



- Utilice botas o zapatos antideslizantes y fuertes.



- Use indumentaria de material resistente. Use siempre pantalones largos y gruesos, y mangas largas. No lleve ropa suelta que pueda quedar atrapada en los arbustos y ramas. No trabaje con joyas, pantalones cortos, sandalias ni los pies descalzos. Recójase el pelo por encima de los hombros.
- Mantenga el equipo de primeros auxilios cerca.



Instrucciones de seguridad para el mantenimiento



ADVERTENCIA: Lea las siguientes instrucciones

de advertencia antes de utilizar el producto.

Lleve a cabo una inspección general del producto antes de su uso. Observe el programa de mantenimiento.

Siga las instrucciones de mantenimiento y servicio de este manual. Algunas medidas de mantenimiento y servicio deben ser efectuadas por especialistas formados y cualificados. Consulte las instrucciones del apartado Mantenimiento.

Compruebe siempre que no hay ningún objeto que bloquee la rejilla de la toma de aire antes de comenzar a trabajar.

A fin de evitar daños provocados por una caída del producto, el montaje y desmontaje deben llevarse a cabo cerca de la superficie del suelo.

Funcionamiento

Uso del accesorio

Nota: Sea considerado con las personas en las proximidades y no utilice la máquina en horas inadecuadas, por ejemplo tarde a la noche o temprano a la mañana. Reduzca los niveles de ruido al limitar

el número de equipos que se utilicen de manera simultánea. Lea y siga los sencillos consejos que se indican a continuación para causar las mínimas molestias a su entorno.

1. Utilice un rastrillo o una escoba para aflojar basura adherida al suelo.
2. Para limpiar los rincones, empiece por el ángulo y siga hacia el exterior. De este modo se evita la acumulación de desechos que podrían salir despedidos hacia el rostro.
3. Utilice el soplador con la menor aceleración posible. La aceleración máxima se requiere en casos muy excepcionales. Muchas etapas del trabajo se pueden realizar con una aceleración parcial. Una aceleración menor significa menos ruido y menos polvo. Además, se tiene un mayor control al amontonar o mover los residuos.
4. Reduzca al mínimo el tiempo de soplado humedeciendo ligeramente las zonas con polvo o utilizando un pulverizador.
5. Reduzca el consumo de agua gracias al uso de sopladores en lugar de mangueras para diferentes aplicaciones en el césped y el jardín, como los enrejados, mamparas, rejillas, porches, etc.
6. Proceda con precaución cuando trabaje cerca de plantas. La fuerza del aire podría dañar las plantas delicadas.
7. La velocidad del chorro de aire se regula con el acelerador/gatillo de alimentación. Elija la velocidad más adecuada para cada aplicación.
8. Controle la dirección del viento. Trabajar en la dirección del viento facilita el trabajo.
9. Utilizar el soplador de hojas para mover grandes pilas de basura/hojas causa un ruido innecesario.
10. Manténgase bien parado y con buen equilibrio.
11. Guarde cierta distancia entre el tubo y el suelo para evitar el contacto con el suelo cuando se trabaja con el producto.
12. Deje el lugar limpio después de trabajar. Asegúrese de no haber soplado residuos en terrenos ajenos. Tire los residuos a un contenedor adecuado.
13. Al terminar el trabajo, el producto se debe guardar en posición horizontal.

Mantenimiento

Introducción

A continuación, se indican algunas instrucciones generales de mantenimiento. Si Ud. necesita mayor información póngase en contacto con el taller de servicio.

Mantenimiento diario del producto



ADVERTENCIA: Detenga siempre el motor antes de realizar cualquier tarea de mantenimiento en el accesorio o de limpiarlo. Si el producto funciona con gasolina, desconecte el cable de encendido de la bujía. Si posee un producto con batería, extráigala.



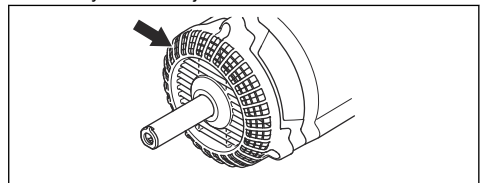
ADVERTENCIA: Mantenga todas las partes del

cuerpo alejadas de las superficies calientes.

1. Limpie la superficie exterior del soplador.
2. Asegúrese de que las carcasas no tienen grietas.
3. Verifique que el producto se encuentre en perfecto estado de funcionamiento.
4. Asegúrese de que las tuercas y los tornillos están bien apretados.
5. Limpie las etiquetas con un paño húmedo y detergente suave.

Comprobación de la rejilla de la toma de aire

1. Compruebe que la toma de aire no está obstruida por ninguno de sus lados, incluyendo la parte inferior, por ejemplo con hojas o suciedad. Una toma de aire obstruida reduce la capacidad de soplado del producto e incrementa la temperatura de trabajo del motor, con el consiguiente riesgo de avería. Pare el motor y retire el objeto.



Transporte, almacenamiento y eliminación

Transporte y almacenamiento

Realice los pasos siguientes después de cada uso:

- Deje que el accesorio se enfríe antes de guardarlo o transportarlo.
- Guarde la unidad en un lugar alto, fresco y seco que esté a cubierto y fuera del alcance de los niños.

Almacenamiento de temporada

Prepare el accesorio para guardarlo al final de la temporada o si no piensa utilizarlo durante 30 días

o más. Si piensa guardar el soplador durante cierto tiempo:

- Limpie la unidad.
- Revise si el accesorio tiene piezas sueltas o dañadas. Apriete los tornillos sueltos.
- Cambie las piezas dañadas, desgastadas o rotas.
- Al inicio de la siguiente temporada, use solamente combustible nuevo con la mezcla de gasolina y aceite en proporción adecuada.

Datos técnicos

Datos técnicos de los productos de gasolina

BA101	
Peso	
Peso, kg	1,9
Emisiones de ruido	
Nivel de potencia acústica, dB(A) medidos	109
Nivel de potencia acústica garantizado L_{WA} dB(A)	112
Niveles acústicos ⁴³	
Nivel de presión sonora equivalente en el oído del usuario, medido conforme a EN15503, dB(A)	99
Niveles de vibraciones ⁴⁴	
Niveles de vibración equivalentes ($a_{hv,eq}$) en los mangos, medidos conforme a EN 15503, m/s^2	
Mango delantero/trasero:	5,6/8,3
Rendimiento del ventilador ⁴⁵	
Velocidad máxima del aire con boquilla estándar, m/s:	66
Caudal de aire con boquilla estándar, m^3/min	15

⁴³ El nivel de presión sonora equivalente se calcula con un ciclo de trabajo de una duración de 1/7 en ralentí y 6/7 en aceleración. Los datos referidos del nivel de presión sonora equivalente de la máquina tienen una dispersión estadística habitual (desviación típica) de 1 dB (A).

⁴⁴ El nivel de vibración equivalente se calcula con un ciclo de trabajo de una duración de 1/7 en ralentí y 6/7 en aceleración. Los datos referidos al nivel de vibración tienen una dispersión estadística habitual (desviación estándar) de 1 m/s^2 .

⁴⁵ Junto con la unidad de motor 525LK/GC2225C.

Datos técnicos de los productos con batería

325iLK + Blower attachment BA101	
Peso	
Peso, kg	2,3 + 1,9
Emisiones de ruido ⁴⁶	
Nivel de potencia acústica medida, dB(A)	103
Nivel de potencia acústica garantizado L _{WA} dB(A)	106
Niveles acústicos ⁴⁷	
Nivel de presión sonora en el oído del usuario, medido conforme a ISO 26868, dB(A)	
Equipado con accesorio homologado (original), dB(A)	93
Niveles de vibraciones ⁴⁸	
Niveles de vibración en los mangos, medidos conforme a EN 62841-1, m/s ²	
Equipado con accesorio homologado (original), izquierda/derecha, m/s	1,6/1,1
Rendimiento del ventilador ⁴⁹	
Caudal de aire en modo normal con boquilla estándar, m ³ /min	14
Velocidad máxima del aire en modo normal con boquilla estándar, m/s:	52

⁴⁶ Emisiones sonoras en el entorno medidas como potencia acústica (L_{WA}) según la directiva CE 2000/14/CE. El nivel referido de potencia sonora de la máquina se ha medido con el equipo de corte original que produce el nivel más elevado. La diferencia entre la potencia sonora garantizada y medida es que la potencia sonora garantizada también incluye la dispersión en el resultado de la medición y las variaciones entre diferentes máquinas del mismo modelo, según la directiva 2000/14/CE.

⁴⁷ Los datos relativos al nivel de presión sonora de la máquina tienen una dispersión estadística habitual (desviación estándar) de 3 dB(A) y se han medido con el accesorio original que produce el nivel más elevado. Medido con la unidad de motor 325iLK.

⁴⁸ Los datos referidos del nivel de vibración presentan una dispersión estadística habitual (desviación típica) de 2 m/s². Para comparar los niveles de vibraciones en los productos con batería y los productos de combustión, utilice la calculadora de vibraciones: <https://www.husqvarna.com/uk/services-solutions/vibration-calculator/>. Medido con la unidad de motor 325iLK.

⁴⁹ Medido con la unidad de motor 325iLK.

Declaración de conformidad

Declaración de conformidad CE

Nosotros, **Husqvarna AB**, SE-561 82 Huskvarna (Suecia), tel. +46-36-146500, declaramos bajo nuestra exclusiva responsabilidad que el producto:

Descripción	Accesorio soplador
Marca	Husqvarna
Tipo/Modelo	BA101
Identificación	Números de serie a partir del año 2022

Cumple las siguientes directivas y normas de la UE:

Norma	Descripción
2006/42/CE	"relativa a las máquinas"
2000/14/CE	"relativa a las emisiones sonoras en el entorno"
2011/65/UE	"relativa a restricciones de utilización de determinadas sustancias peligrosas en aparatos eléctricos y electrónicos"

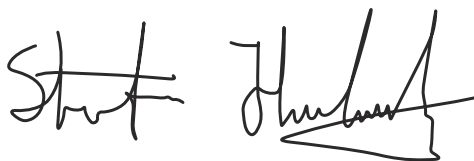
Y que se aplican las especificaciones técnicas o los estándares siguientes: EN15503:2009+A2:2015, EN ISO 12100:2021, EN IEC 63000:2018.

RISE SMP Svensk Maskinprovning AB, Box 7035, SE-750 07 Uppsala, Sweden ha llevado a cabo un examen voluntario para Husqvarna AB.

Número de certificado: SEC/15/2416 – Husqvarna BA101.

Para obtener información respecto a las emisiones sonoras, consulte *Datos técnicos en la página 93*.

Huskvarna, 2022-05-09



Stefan Holmberg, Director de I+D, Gestión de tecnología, Husqvarna AB

Responsable de la documentación técnica



Declaración de conformidad CE

Nosotros, **Husqvarna AB**, SE-561 82 Huskvarna (Suecia), tel. +46-36-146500, declaramos bajo nuestra exclusiva responsabilidad que el producto:

Descripción	Accesorio soplador con unidad de alimentación Husqvarna 325iLK
Marca	Husqvarna
Tipo/Modelo	BA101
Identificación	Números de serie a partir del año 2022

Cumple las siguientes directivas y normas de la UE:

Norma	Descripción
2006/42/CE	"relativa a las máquinas"
2000/14/CE	"relativa a las emisiones sonoras en el entorno"
2011/65/UE	"relativa a restricciones de utilización de determinadas sustancias peligrosas en aparatos eléctricos y electrónicos"

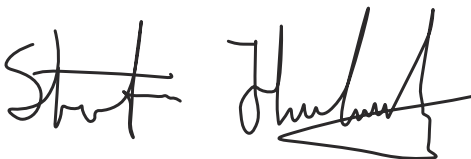
Y que se aplican las especificaciones técnicas o los estándares siguientes: IEC 60335-2-100, EN IEC 63000:2018.

RISE SMP Svensk Maskinprovning AB, Box 7035, SE-750 07 Uppsala, Sweden ha llevado a cabo un examen voluntario para Husqvarna AB. Número de certificado: SEC/15/2416 – Husqvarna BA101.

RISE SMP Svensk Maskinprovning AB, Box 7035, SE-750 07 Uppsala, Sweden ha comprobado también la conformidad con el apéndice V de la Directiva del Consejo 2000/14/CE. Número de certificado: 01/012/014.

Para obtener información respecto a las emisiones sonoras, consulte *Datos técnicos en la página 93*.

Huskvarna, 2022-05-09



Stefan Holmberg, Director de I+D, Gestión de tecnología, Husqvarna AB

Responsable de la documentación técnica



Sisukord

Sissejuhatus.....	97	Transportimine, hoiulepanek ja utiliseerimine.....	105
Ohutus.....	98	Tehnilised andmed.....	105
Töö.....	104	Vastavusdeklaratsioon.....	107
Hooldamine.....	104		

Sissejuhatus

Toote kirjeldus

Tegeleme pidevalt oma toodete edasiarendamisega ning seetõttu jätame endale õiguse muuta toodete disaini ja välimust ilma sellest ette teatamata.

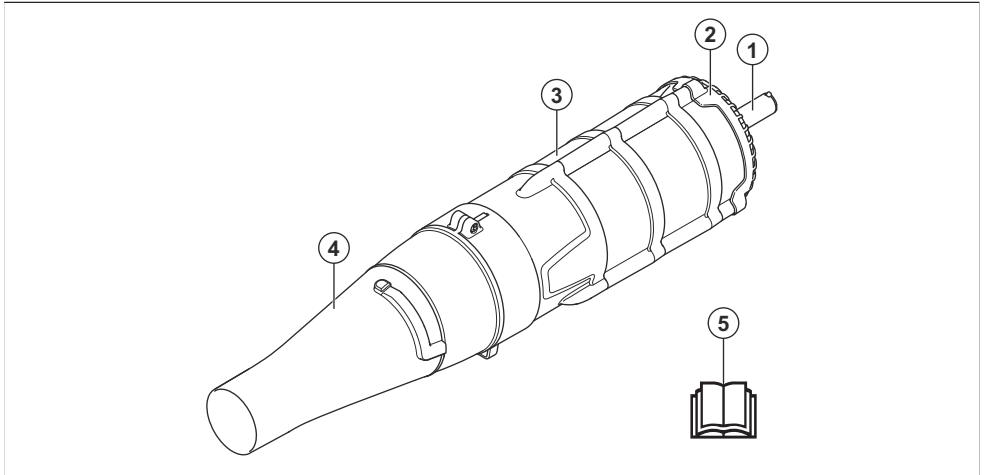
Märkus: Selles juhendis käsitletakse nii bensiini- kui ka akutoitega jõuseadmeid.

Kasutusotstarve



HOIATUS: Seda lisatarvikut võib kasutada

Lisatarviku ülevaade



1. Vars
2. Öhu sissepääsuava
3. Tiiviku korpus
4. Öhuotsak
5. Kasutusjuhend

Lisatarvikul ja jõuseadmel olevad sümbolid



Selle lõikeosa hooletu või väär käsitlemine võib põhjustada operaatori või teiste isikute vigastuse või hukkamise.



Lugege enne lõikeosa kasutamist kasutusjuhend tähelepanelikult läbi ja veenduge, et oleksite juhistest aru saanud.



Puhurseade võib jõuliselt liigutada objekte, mis võivad tagasi pörkuda. Soovitusliku ohutusvarustuse mittekasutamisel võib see põhjustada tõsiseid silmavigastusi.



Seadme kasutaja peab tagama, et töö ajal ei viibiks seadmest 15 m raadiuses ühtegi inimest ega looma.



See lõikeosa vastab EL-i kehtivatele direktiividele.



See toode vastab kehtivatele UK direktiividele.



Ventilaatori labast tingitud sõrmede või käe lõikeoht. Ärge avage ega eemaldage ohutusseadiseid või kaitsevõrke, kui mootor töötab.



Kasutage heakskiidetud silmade ja hingamise kaitset.



Kandke heakskiidetud kaitsekindaid.



Ümbritsevasse keskkonda leviv müra vastavalt Euroopa Ühenduse direktiivile. Lisatarviku müratase on näidatud tehniliste andmete peatükis ja etiketil.



Puhurseadme kasutaja on kohustatud tagama, et inimesed ja loomad ei tuleks töö ajal lähemale kui 15 m. Kui samas kohas töötab mitu seadmekasutajat, peab ohutusvahemaa olema vähemalt 15 meetrit. Puhurseade võib jõuliselt liigutada objekte, mis võivad tagasi pörkuda. Soovitusliku ohutusvarustuse mittekasutamisel võib see põhjustada tõsiseid silmavigastusi.

Ohutus

Ohutuse määratlused

Mõistetega „hoiatus”, „ettevaatust” ja „märkus” juhitakse tähelepanu eriti olulistele kohtadele kasutusjuhendis.



HOIATUS: Tähistab kasutusjuhendi juhiste eiramise korral kasutaja või kõrvalseisjate kehavigastuse või surmaga lõppeva õnnetuse ohtu.

**ETTEVAATUST:**

Tähistab kasutusjuhendi juhiste eiramise korral toote ja/või tarviku, muude esemete või läheduses asuvate objektide kahjustamise ohtu.

Märkus: Tähistab antud olukorras vajalikku lisateavet.

Üldised ohutuseeskirjad

HOIATUS: Enne lisatarviku kasutamist lugege läbi järgmised ohutuseeskirjad.

- Lugege enne lõikeosa kasutamist kasutusjuhend tähelepanelikult läbi ja veenduge, et oleksite juhistest aru saanud.
- Täieliku kasutajateabe saamiseks tuleb seda kasutusjuhendit tuleb lugeda koos toiteseadme kasutusjuhendiga.
- Lisatarviku algset konstruktsiooni ei tohi ilma tootja loata muuta. Ärge kasutage lisatarvikut, kui tundub, et teised on seda muutnud, ja kasutage alati originaallisavarustust.

Lubamatud muudatused ja varuosad võivad põhjustada kasutaja ja teiste isikute raskeid või isegi eluohtlikke kehavigastusi.

Ohutusjuhised kasutamisel

HOIATUS: Enne toote kasutamist lugege läbi järgnevad hoiatused.



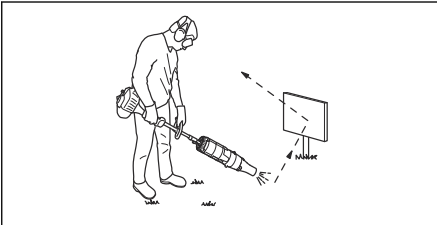
HOIATUS: Seade tekitab töötades elektromagnetvälja. Teatud tingimustel võib väli häirida aktiivsete või passiivsete meditsiiniliste implantaatide tööd. Raskete või surmaga lõppevate kahjustuste ohu vähendamiseks soovitame meditsiinilisi implantaate kasutavatel inimestel pidada enne selle toote kasutamist nõu oma arsti ja implantaadi valmistajaga.

- Ärge kunagi kasutage toodet, kui te olete haige või väsinud, alkoholi mõju all, või olete kasutanud ravimeid, mis mõjutavad teie nägemis-, koordinatsiooni või otsustusvõimet

- Ärge kunagi kasutage kahjustatud seadet.
- Enne käivitamist peavad olema kõik kaitsed ja katted oma kohale paigaldatud. Kui teil on bensiinitoitega toode, veenduge, et süüteküünla kate ja süütejuhe oleksid kahjustamata, et ära hoida elektrilöögi ohtu.
- Puhurseadme kasutaja on kohustatud tagama, et inimesed ja loomad ei tuleks töö ajal lähemale kui 15 m. Kui samas kohas töötab mitu seadmekasutajat, peab ohutusvahemaa olema vähemalt 15 meetrit.
- Ärge kunagi lubage lastel toodet kasutada.
- Ärge kunagi lubage kellelgi toodet kasutada enne, kui olete kindel, et ta on kasutusjuhendi läbi lugenud ja selle sisust aru saanud.
- Ärge kunagi eemaldage õhuvõtuava võret.
- Ärge kunagi puudutage süüteküünalt või süütejuhet, kui mootor töötab. Süüteküünla või süütejuhtme puudutamisel võite saada elektrilöögi.
- Võtke ühendust töökaitseorganitega ja kontrollige, kas te järgite kehtivaid määrusi.
- Hoidke kõik kehaosad kuumadest pindadest eemal.
- Kui olukord on teile tundmatu, katkestage töö ja paluge spetsialistidelt abi ja nõu. Võta ühendust edasimüüja või hoolduspunktiga. Ärge tehke tööd, milleks teil puudub väljaõpe või kogemused.
- Hoidke puhuri avaust võimalikult maapinna lähedal. Kasutage tervet puhumistoru pikkust õhujoa maapinna lähedal hoidmiseks.
- Liigse mürahäiringu vältimiseks kasutage seadet tavapärasel tööajal. Vältige töötamist varahommikul või hilisõhtul.
- Olge tähelepanelik oma ümbruse suhtes. Kui keegi läheneb teie tööpiirkonnale, vabastage gaasihoob/toitelüliti, kuni isik on ohutus kauguses. Suunake puhurseade eemale inimestelt loomadelt, mängualadelt, atud akendest, autodest jne. Õhuvool võib tõsta lendu kive, mustust või pulki, mis võivad vigastada inimesi või loomi, lõhkuda klaasi või põhjustada teisi kahjustusi.
- Ärge pange kunagi käsi või muid esemeid puhuri korpusesse, et vältida

pöörlevast tiivikust tingitud
tõsiste vigastuste ohtu.

- Hoidke välispind õlist ja kütusest puhtana.
- Ärge kasutage toodet kunagi kemikaalide, väetise või muude ainete laialipuhumiseks, mis võivad sisaldada mürgiseid komponente.
- Tule leviku vältimiseks ärge kasutage puhurit kulupõlengute, kaminat, grillide, tuhatooside jne juures.
- Ärge kunagi pange lisatarvikut vette või pritsige seda mõne teise vedelikuga.
- Kasutage masina hoidmiseks alati kahte kätt. Hoidke seadet keha lähedal.
- Kui teil on bensiinitoitega toode, siis laske sellel enne tankimist jahtuda.
- Jõulised õhuvood võivad objekte liigutada sellisel kiirusel, et need põrkavad tagasi ja põhjustavad tõsiseid silmavigastusi.



- Seisake mootor, enne kui asute lisatarvikuid või muid

osi seadme külge kinnitama
või neid eemaldama.

- Ärge kasutage toodet halbade ilmastikuolude korral (nt tihe udu, tugev vihm, tuul ja pakane jms). Halva ilmaga töötamine on väga väsitav ja sellega kaasneb muid ohte, nagu libe maapind.
- Veenduge, et saate turvaliselt seista ja liikuda. Vaadake, et läheduses ei oleks tõkkeid, nagu juuri, kive, oksid, kraave jms, mis oleksid takistuseks juhul, kui tuleb kiiresti eemalduda. Olge eriti ettevaatlik mäeküljel töötades.



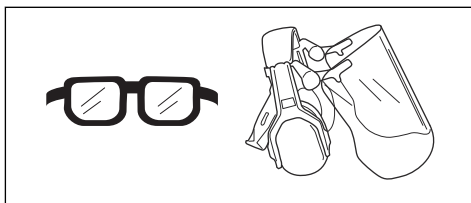
- Ärge pange töötava mootoriga seadet maha, kui teil pole sellest head ülevaadet.
- Kui teil on bensiinitoitega toode, siis sisaldavad mootori heitgaasid vingugaasi, mis võib põhjustada vingumürgituse. Seetõttu ei tohi toodet käivitada ega sellega töötada siseruumides ning halva ventilatsiooniga kohtades.

- Puhurit ei tohi kasutada redelil, tellingutel või kõrgetes kohtades seistes (nt katusel). See võib põhjustada tõsisid vigastusi.



- Ärge kunagi kasutage toodet olukordades, kus te ei saa õnnetuse korral abi kutsuda.
- Ärge asetage kunagi midagi õhu sissevõtuavasse, kuna see võib takistada õiget õhuvoolu ja kahjustada seadet.
- Vältige toote pörkimist vastu mis tahes aeda, puu ja muud kõva materjali. See võib seadet kahjustada ja põhjustada raskeid kehavigastusi.
- Kui kasutate kuulmiskaitset, olge tähelepanelik hõigete ja hoiatussignaalide suhtes. Eemaldage kõrvaklapid kohe, kui mootor on seiskunud.

- Seadmega töötamisel tuleb kasutada ettenähtud isikukaitsevarustust. Isikukaitsevarustus ei välista täielikult kehavigastuste ohtu, kuid vähendab õnnetusjuhtumi korral kehavigastuse raskusastet. Õige varustuse valimiseks pöörduge edasimüüja poole.
- Kandke alati sobiva summutusvõimega kuulmiskaitsemeid. Pikaajaline müra võib tekitada püsiva kuulmiskahjustuse.
- Kandke heakskiidetud kaitseprille. Näokaitseme kasutamisel tuleb lisaks kasutada heakskiidetud kaitseprille. Heakskiidetud kaitseprillide all mõeldakse selliseid prille, mis vastavad standardile ANSI Z87.1 USA-s või EN 166 Euroopa Liidu riikides.

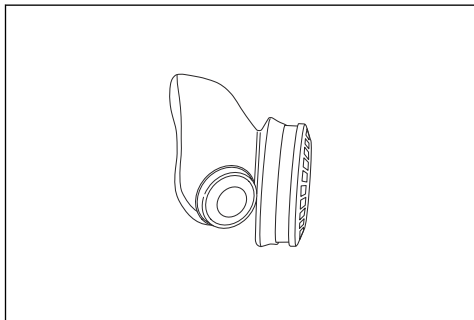


Isikukaitsevahendid

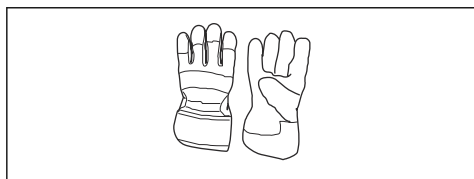


HOIATUS: Enne seadme kasutamist lugege läbi järgnevad hoiatused.

- Tolmu tekkimise ohu korral kasutage hingamiskaitset.



- Vajaduse korral kandke kaitsekindaid, näiteks lisatarvikut kinnitades, kontrollides või puhastades.



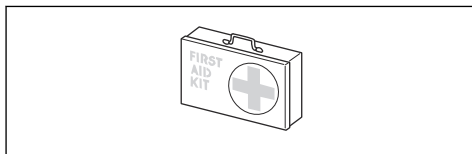
- Kandke vastupidavaid, mittelibisevaid jalatseid.



- Kandke vastupidavast materjalist riideid. Kandke alati pikki raskeid pükse ja pikki varrukaid. Hoiduge liiga avaratest rõivastest, mis võivad okstesse takerduda. Ärge kandke ehteid, lühikesi pükse, lahtiseid jalatseid ega

käige paljajalu. Kinnitage juuksed ohutult õlgadest kõrgemale.

- Hoidke esmaabikomplekt käepärast.



Ohutusjuhised hooldamisel



HOIATUS: Enne toote kasutamist lugege läbi järgnevad hoiatused.

Enne kasutamist tehke seadme üldine ülevaatus. Järgige hooldusskeemi.

Järgige hooldamisel ja teenindamisel selle kasutusjuhendi nõudeid. Teatud hooldustoiminguid tohib teha ainult vastava väljaõppe saanud spetsialist. Vt juhiseid lõigust „Hooldus”.

Enne töö alustamist vaadake alati, et miski ei blokeeriks õhuvõtuava võret.

Kahjustuste vältimiseks, mida võib põhjustada toote kukkumine, tuleb toote panna kokku ja võtta koost lahti maapinna lähedal.

Töö

Lisatarviku kasutamine

Märkus: Hoolige ümbritsevatest inimestest, ärge kasutage seadet sobimatutel kellaaegadel, nt hilisõhtul või varahommikul. Vähendage mürataset – piirake samaaegselt kasutatavate seadmete arvu. Lugege need lihtsad juhised läbi ja järgige neid, et te häiriksite oma ümbrust võimalikult vähe.

1. Maa külge kinni jäänud prahi eemaldamiseks kasutage reha või luuda.
2. Nurkade puhastamisel alustage nurgast ja liiguge väljapoole. See aitab vältida prahi kogunemist, mis võib teile näkku paiskuda.
3. Kasutage puhurseadet võimalikult madalal gaasi/kiirusel. Täisgaasi/-kiiruse kasutamine on vajalik harva, paljusid tööprotseduure saab teha poole gaasi/kiirusega. Vähem gaasi/kiirust tähendab vähemat müra ja tolmu ning samuti on kokkukogutud/liigutatavat prahti lihtsam suunata.
4. Vähendage puhumisaega kergelt niisutades tolmuiseid piirkondi või kasutades puhustusvarustust.

5. Vähendage veetarbimist – kasutage erinevate aiatarvikute (nt võrede, võrkude, restide, verandade jms) puhastamiseks veevoolikute asemel hoopis puhurseadmeid.
6. Olge taimede läheduses töötamisel ettevaatlik. Tugev õhuvool võib õrnu taimi kahjustada.
7. Gaasihoova/toitelülitiga reguleeritakse õhujoo kiirust. Valige kiirus, mis antud tööülesande jaoks kõige paremini sobib.
8. Arvestage tuule suunaga. Kasutage tuult ära, see teeb töö lihtsamaks.
9. Puhurseadme abil suurte kuhjade liigutamine on aeganõudev ja tekitab asjatult suurt müra.
10. Olge kindlal pinnal ja hoidke ennast tasakaalus.
11. Hoidke toru maapinnast veidi kõrgemal, et vältida tootega töötamisel kokkupuudet maapinnaga.
12. Koristage töö jäljed. Veenduge, et te pole prahhi kellegi aeda pahunud. Visake prügi prügikonteinerisse.
13. Töö lõpetamisel tuleb toode panna hoiukohta horisontaalasendis.

Hooldamine

Sissejuhatus

Allpool on toodud üldised hoolduseeskirjad. Täpsema teabe saamiseks pöörduge hooldustöökotta.

Lisatarviku igapäevane hooldus



HOIATUS: Enne puhastus- ja hooldustööde alustamist peatage alati mootor. Kui teil on bensiinitoitega toode, võtke süütejuhe süüteküünla küljest lahti. Kui teil on akutoitega toode, eemaldage aku.

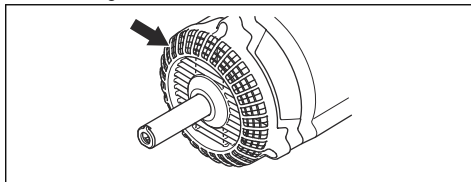


HOIATUS: Hoidke kõik kehaosad kuumadest pindadest eemal.

1. Puhastage puhuri välispind.
2. Veenduge, et korpusel poleks pragusid.
3. Kontrollige, et toode oleks täiesti korras.
4. Veenduge, et kõik mutrid ja kruvid oleksid pingutatud.
5. Puhastage sildid niiske lapi ja õrnatoimelise puhastusvahendiga.

Õhuvõtuava võre kontrollimine

1. Kontrollige, et õhuvõtuava pole ummistatud ühelgi küljel, kaasaarvatud allküljel, nt lehtede või prahiga. Ummistunud õhuvõtuava vähendab toote puhumisvõimsust ja tõstab mootori töotemperatuuri, mis võib viia mootori rikkeni. Seisake mootor ja eemaldage ummistus.



Transportimine, hoiulepanek ja utiliseerimine

Transport ja hoiustamine

Tehke pärast igat kasutuskorda järgmist.

- Laske lisaseadmel enne selle hoiundamist või transportimist jahtuda.
- Hoiundage jahedas ja kuivas siseruumis kõrgel, lastele kättesaamatus kohas.

Hooajaline hoiustamine

Hooaja lõppedes või kui lisatarvikut ei kasutata vähemalt 30 päeva, valmistage tarvik ette pikaajaliseks

hoiustamiseks. Puhuri lisaseadme hoiundamisel pikemaks ajaks toimige järgmiselt.

- Puhastage seade.
- Kontrollige, ega lisaseadmel pole lahtiseid või kahjustatud osasid. Pingutage lahtised kruvid.
- Vahetage välja kõik kahjustatud, kulunud või katkised osad.
- Järgmise hooaja alguses kasutage ainult värsket kütust, millel on õige bensiini ja õli suhe.

Tehnilised andmed

Tehnilised andmed bensiinitoitega toodete kohta.

BA101	
Mass	
Kaal, kg	1,9
Müratasemed	
Helitugevuse tase, mõõdetud dB(A)	109
Helivõimsuse tase, garanteeritud L_{WA} dB(A)	112
Müratase ⁵⁰	
Ekvivalentne müra rõhutase kasutaja kõrvas, mõõdetud vastavalt EN15503 nõuetele, dBA	99
Vibratsioonitase ⁵¹	
EN 15503 järgi mõõdetud käepidemete ekvivalentsed vibratsioonitasemed ($a_{hv,eq}$), m/s^2	
Eesmised/tagumised käepidemed:	5,6/8,3
Ventilaatori jõudlus ⁵²	
Maks. õhukiirus standardotsakuga, m/s:	66
Õhuvool standardotsakuga, m^3/min	15

⁵⁰ Ekvivalentne helirõhutaseme väärtus arvutatakse vastavalt töötüklile, 1/7 kestusega tühikäigu puhul ning 6/7 kestusega töötades. Antud andmetel seadme helirõhutaseme ekvivalendi kohta on statistiline tüüplevi 1 dB(A) (standardne kõrvalekalle).

⁵¹ Ekvivalentne vibratsioonitase arvutatakse vastavalt 1/7 kestusega töötüklile tühikäigu ning 6/7 kestusega töötüklile töörežiimi puhul. Ekvivalentse vibratsioonitase kohta toodud andmete tüüpiline statistiline dispersioon (standardhälve) on 1 m/s^2 .

⁵² Koos mootoriga 525LK/GC2225C.

Tehnilised andmed akutoitega toodete kohta

325iLK + Blower attachment BA101	
Mass	
Kaal, kg	2,3/+1,9
Müratasemed ⁵³	
Helitugevuse tase, dB(A)	103
Müravõimsustase, garanteeritud L_{WA} dB(A)	106
Müratase ⁵⁴	
Ekvivalentne mürarõhutase kasutaja kõrva juures, mõõdetud ISO 26868 järgi, dB(A)	
Originaalse heakskiidetud lisatarvikuga dB (A)	93
Vibratsioonitase ⁵⁵	
Käepidemete vibratsioonitasemed, mõõdetud EN 62841-1 järgi, m/s^2	
Originaalse vasak-/parempoolse heakskiidetud lisatarvikuga, m/s	1,6/1,1
Ventilaatori jõudlus ⁵⁶	
Õhuvool tavarežiimil standardotsakuga, m^3/min	14
Suurim õhukiirus tavarežiimil standardotsakuga, m/s:	52

⁵³ Müraemissioon ümbritsevasse keskkonda, mõõdetud helivõimsuse tasemena (L_{WA}) vastavalt EÜ direktiivile 2000/14/EÜ. Seadme antud müratase mõõdeti enim müra tekitava originaalsaagimisseadme kasutamisel. Erinevus garanteeritud ja mõõdetud helivõimsustaseme vahel seisneb selles, et direktiivi 2000/14/EÜ alusel hõlmab garanteeritud helivõimsustase ka mõõtmistulemuste dispersiooni ja kõrvalekaldeid sama mudeli erinevate seadmete vahel.

⁵⁴ Antud andmetel seadme helirõhutase ekvivalendi kohta on statistiline tüüplevi 3 dB(A) (standardne kõrvalekalle) ja on mõõdetud originaalse löikeosaga, mis annab kõrgeima taseme. Mõõdetud mootoriga 325iLK.

⁵⁵ Vibratsioonitaseme kohta toodud andmete tüüpiline statistiline dispersioon (standardhälve) on $2 m/s^2$. Akuga ja põlemismootoriga seadmete vibratsioonitasemete võrdlemiseks kasutatakse vibratsioonikalkulaatorit, vt <https://www.husqvarna.com/uk/services-solutions/vibration-calculator/>. Mõõdetud mootoriga 325iLK.

⁵⁶ Mõõdetud mootoriga 325iLK.

Vastavusdeklaratsioon

EÜ vastavusdeklaratsioon

Husqvarna AB, SE-561 82 Huskvarna, Rootsi, tel: +46
3614 6500, kinnitab ainuvastutusel, et toode:

Kirjeldus	Puhurseade
Kaubamärk	Husqvarna
Tüüp/mudel	BA101
Identifitseerimine	Seerianumbrid alates 2022. aastast

vastab täielikult järgmistele EÜ direktiividele ja määrustele:

Määrus	Kirjeldus
2006/42/EÜ	„masinadirektiiv“
2000/14/EÜ	„seadmete müra kohta käiv direktiiv“
2011/65/EL	„elektri- ja elektroonikaseadmetes teatavate ohtlike ainete kasutamise piiramise direktiiv“

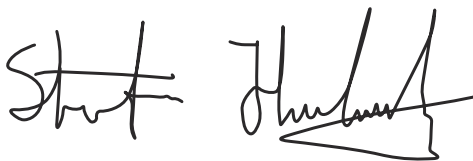
ja et kohalduvad järgmised standardid ja/või tehnilised spetsifikatsioonid: EN15503:2009+A2:2015, EN ISO 12100:2021, EN IEC 63000:2018.

RISE SMP Svensk Maskinprovning AB, Box 7035,
SE-750 07 Uppsala, Sweden on teinud Husqvarna AB
tellimusel vabatahtliku tüübihindamise.

Sertifikaadi number: SEC/15/2416 – Husqvarna BA101.

Lisateavet mürataseme kohta vt *Tehnilised andmed lk 105*.

Huskvarna, 2022-05-09



Stefan Holmberg, uurimis- ja arendustegevuse juht,
tehnoloogiahaldus, Husqvarna AB

Tehnilise dokumentatsiooni eest vastutaja



EÜ vastavusdeklaratsioon

Husqvarna AB, SE-561 82 Huskvarna, Rootsi, tel: +46
3614 6500, kinnitab ainuvastutusel, et toode:

Kirjeldus	Puhurseade toiteseadmega Husqvarna 325iLK
Kaubamärk	Husqvarna
Tüüp/mudel	BA101
Identifitseerimine	Seerianumbrid alates 2022. aastast

vastab täielikult järgmistele EÜ direktiividele ja määrustele:

Määrus	Kirjeldus
2006/42/EÜ	„masinadirektiiv“
2000/14/EÜ	„seadmete müra kohta käiv direktiiv“
2011/65/EL	„elektri- ja elektroonikaseadmetes teatavate ohtlike ainete kasutamise piiramise direktiiv“

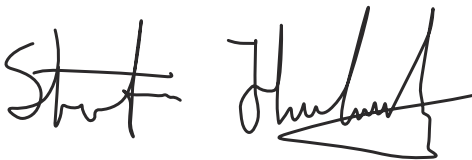
ja et kohalduvad järgmised standardid ja/või tehnilised spetsifikatsioonid: IEC 60335-2-100, EN IEC 63000:2018.

RISE SMP Svensk Maskinprovning AB, Box 7035, SE-750 07 Uppsala, Sweden on teinud Husqvarna AB tellimusel vabatahtliku tüübihindamise. Sertifikaadi number: SEC/15/2416 – Husqvarna BA101.

RISE SMP Svensk Maskinprovning AB, Box 7035, SE-750 07 Uppsala, Sweden on ka kinnitanud vastavust nõukogu direktiivi 2000/14/EÜ lisale V. Sertifikaadi number: 01/012/014.

Lisateavet määrataseme kohta vt *Tehnilised andmed lk 105*.

Huskvarna, 2022-05-09



Stefan Holmberg, uurimis- ja arendustegevuse juht, tehnoloogiahooldus, Husqvarna AB

Tehnilise dokumentatsiooni eest vastutaja



Sisällys

Johdanto.....	109	Kuljettaminen, säilyttäminen ja hävittäminen.....	117
Turvallisuus.....	110	Tekniset tiedot.....	118
Käyttö.....	116	Vaatimustenmukaisuusvakuutus.....	120
Huolto.....	117		

Johdanto

Tuotekuvaus

Kehitämme jatkuvasti tuotteitamme ja pidätämme siksi itsellämme oikeuden muuttaa tuotteiden muotoa ja ulkonäköä ilman ennakoilmoitusta.

Huomautus: Tässä käyttöohjeessa käsitellään sekä bensiini- että akkukäyttöisiä laitteita.

Käyttötarkoitus

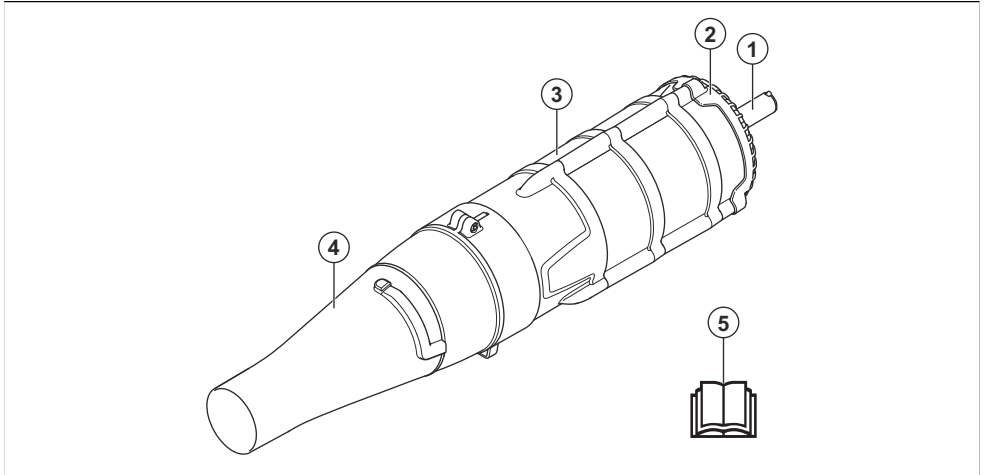


VAROITUS: Lisälaitetta saa käyttää vain sille tarkoitetun

käyttöaggregaatin kanssa. Katso käyttöaggregaattia koskeva lisävarusteita käsittelevä luku käyttöohjekirjasta.

Lisälaite on tarkoitettu ainoastaan nurmikoiden, käytävien, asfaltteiden ja vastaavien puhaltamiseen puhtaaksi.

Lisälaitteen yleiskatsaus



1. Runkoputki
2. Ilmansuodatin
3. Tuulettimen kotelo
4. Ilmasuutin
5. Käyttöohje

Lisälaitteen ja käyttöaggregaatin symbolit



Tämän lisälaitteen huolimaton käyttö tai väärinkäyttö voi aiheuttaa käyttäjälle tai sivullisille vakavia vammoja tai kuoleman.



Lue käyttöohje huolellisesti ja varmista, että ymmärrät sen sisällön, ennen kuin alat käyttää lisälaitetta.



Tämä lisälaitte täyttää sovellettavien EY-direktiivien vaatimukset.



Tämä tuote täyttää sovellettavien UK-säädösten vaatimukset.



Käytä hyväksytyjä kuulo-, silmä- ja hengityssuojaimia.



Käytä hyväksytyjä suojakäsineitä.



Melupäästöt ympäristöön Euroopan yhteisön direktiivin mukaisesti. Lisälaitteen päästöt ilmoitetaan luvussa Tekniset tiedot ja arvokilvessä.



Lehtipuhaltimen käyttäjän on varmistettava, että ihmiset ja eläimet ovat vähintään 15 metrin etäisyydellä koneesta työn aikana. Kun useita laitteita käytetään samassa paikassa, on käyttäjien välisen turvaetäisyyden oltava vähintään 15 metriä. Lehtipuhallin voi singota rajulla voimalla esineitä, ja ne voivat kimmota takaisin. Se voi johtaa vakaviin silmävammoihin, mikäli suositeltuja suojaimia ei käytetä.



Lehtipuhallin voi singota rajulla voimalla esineitä, ja ne voivat kimmota takaisin. Se voi johtaa vakaviin silmävammoihin, mikäli suositeltuja suojaimia ei käytetä.



Laitteen käyttäjän on varmistettava, etteivät ihmiset ja eläimet tule työn aikana 15 metriä lähemmäksi.



Tuulettimen laipat aiheuttavat vammoja osuessaan sormiin tai käteen. Älä avaa äläkä irrota turvalaitteita tai -verkkoja, kun moottori on käynnissä.

Huomautus: Muita lisälaitteen tunnuksia/tarroja tarvitaan tietyillä markkina-alueilla ilmaisemaan erityisiä sertifiointivaatimuksia.

Turvallisuus

Turvallisuusmääritelmät

Varoituksia, huomioita ja huomautuksia käytetään, kun jotakin käyttöohjeen osaa halutaan erityisesti korostaa.



VAROITUS: Tätä käytetään, jos käyttöohjeen noudattamatta jättämisestä voi seurata

käyttäjän tai sivullisen vamma tai kuolema.



HUOMAUTUS:

Tätä käytetään, jos käyttöohjeen noudattamatta jättämisestä voi seurata tuotteen ja/tai lisälaitteen, muiden materiaalien tai ympäristön vaurioituminen.

Huomautus: Tätä käytetään tietyissä tilanteissa tarvittavien lisätietojen antamiseen.

Yleiset turvaohjeet



VAROITUS: Lue seuraavat turvaohjeet ennen lisälaitteen käyttämistä.

- Lue käyttöohje huolellisesti ja varmista, että ymmärrät sen sisällön, ennen kuin alat käyttää lisälaitetta.
- Käyttöohjekirjaa on luettava yhdessä käyttöaggregaatin käyttöohjekirjan kanssa, jotta käyttäjä saa kaikki tarvittavat tiedot.
- Lisälaitteen rakennetta ei missään tapauksessa saa

muuttaa ilman valmistajan lupaa. Älä käytä lisälaitetta, mikäli epäilet jonkun muun tehneen siihen muutoksia. Käytä aina alkuperäisiä lisävarusteita. Hyväksymättömien muutosten ja/tai lisävarusteiden käyttö voi aiheuttaa käyttäjälle tai muille vakavia vahinkoja tai kuoleman.

Turvallisuusohjeet käyttöä varten



VAROITUS: Lue seuraavat varoitusohjeet ennen laitteen käyttämistä.



VAROITUS: Laite muodostaa käytön aikana sähkömagneettisen kentän. Kenttä saattaa joissakin olosuhteissa häiritä aktiivisten tai passiivisten lääketieteellisten implanttien toimintaa. Vakavien tai hengenvaarallisten tapaturmien ehkäisemiseksi kehotamme lääketieteellisiä

implantteja
käyttäviä henkilöitä
neuvottelemaan lääkärin
ja lääketieteellisen
implantin valmistajan
kanssa ennen laitteen
käyttämistä.

- Älä koskaan käytä konetta, jos olet väsynyt, jos olet sairas, jos olet juonut alkoholia tai nauttinut muita päihdyttäviä aineita tai jos käytät lääkkeitä, jotka voivat vaikuttaa näköösi, arviointikykyysi tai koordinaatioosi.
- Älä koskaan käytä viallista laitetta.
- Kaikkien koteloiden ja suojusten on oltava asennettuina ennen käynnistystä. Jos laite on bensiniikäyttöinen, ehkäise sähköiskuja varmistamalla, että sytytystulpan suojus ja sytytysjohdin ovat vahingoittumattomat.
- Lehtipuhaltimen käyttäjän on varmistettava, että ihmiset ja eläimet ovat vähintään 15 metrin etäisyydellä koneesta työn aikana. Kun useita lehtipuhaltimia käytetään samassa paikassa, on käyttäjien välisen

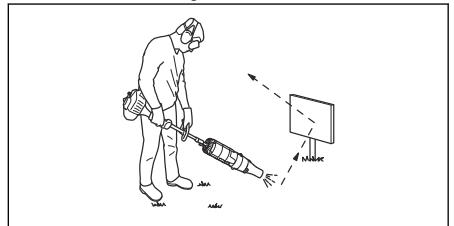
turvaetäisyyden oltava vähintään 15 metriä.

- Älä koskaan anna lasten käyttää laitetta.
- Älä koskaan anna kenenkään käyttää tuotetta varmistamatta ensin, että käyttäjä on lukenut ja ymmärtänyt käyttöohjeen sisällön.
- Älä koskaan irrota ilmasuodatinta.
- Älä koskaan koske sytytystulppaan tai -kaapeliin moottorin käydessä. Sytytystulpan tai pistokkeen koskettaminen voi aiheuttaa sähköiskun.
- Tällaisia katkaisulaikkoja ei saa käyttää kannettavissa laikkaleikkureissa.
- Pidä kaikki kehon osat poissa kuumilta pinnoilta.
- Jos käytön jatkaminen tuntuu epävarmalta, kysy neuvoa asiantuntijalta. Käännä jälleenmyyjäsi tai huoltoliikkeesi puoleen. Älä tee mitään sellaista, mihin et katso taitosi riittävän.
- Pidä puhallusputken suu mahdollisimman lähellä maata. Hyödynnä puhallusputken koko pituus, jotta ilmavirta pysyy lähellä maanpintaa.

- Vältä ylimääräistä häiriötä käyttämällä konetta vain normaalien työtuntien puitteissa. Vältä työskentelyä aikaisin aamulla tai myöhään illalla.
- Tarkkaile ympäristöäsi. Jos joku lähestyy työaluetta, vapauta kaasu-/käyttöliipaisin, kunnes henkilöt ovat turvallisen välimatkan päässä. Kohdista ilmasuihku pois päin ihmisistä, eläimistä, leikkipaikoista, avoimista ikkunoista, autoista jne. Voimakas ilmavirta voi heittää tai singota mukanaan kiviä, likaa tai puunpalasia, jotka voivat satuttaa ihmisiä tai eläimiä, rikkoa ikkunoita tai aiheuttaa muunlaista vahinkoa.
- Puhaltimen koteloon ei saa laittaa käsiä tai esineitä, koska pyörivä puhallinpyörä voi aiheuttaa vakavia vammoja.
- Pidä ulkopinta puhtaana öljystä ja polttoaineesta.
- Älä levitä laitteella kemikaaleja, lannoitteita tai muita aineita, jotka voivat sisältää myrkyllisiä materiaaleja.
- Älä käytä laitetta lehtien tai risujen polton, tulipesien, grillien, tuhkakuppien ja

vastaavien läheisyydessä, jotta vältät tulen leviämisen.

- Älä koskaan kastele tai ruiskuta laitetta vedellä tai muulla nesteellä.
- Pidä koneesta aina molemmin käsin kiinni. Pidä koneesta aina molemmin käsin.
- Jos laite on bensiinikäyttöinen, anna moottorin jäähtyä ennen tankkaamista.
- Voimakas ilmavirta pystyy siirtämään esineitä niin suurella nopeudella, että ne voivat kimmota takaisin ja aiheuttaa vakavia silmävammoja.



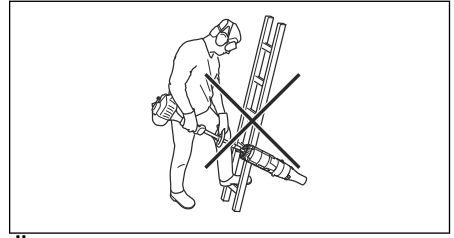
- Pysäytä moottori ennen lisävarusteiden tai muiden osien asennusta tai irrottamista.
- Älä käytä laitetta huonoissa sääolosuhteissa, kuten kovalla tuulella tai erittäin sumuisella, sateisella tai kylmällä säällä. Käyttö huonoissa sääolosuhteissa on raskasta ja voi

aiheuttaa vaaratilanteita, kuten liukastumisvaaran.

- Varmista, että voit siirtyä ja seisoa turvallisesti. Katso, onko äkilliselle siirtymiselle esteitä (juuria, kiviä, oksia, kuoppia, oja jne.). Noudata suurta varovaisuutta viettävässä maastossa työskennellessäsi.



- Älä koskaan laske laitetta maahan moottorin käydessä, jos et pysty valvomaan sitä koko ajan.
- Jos laite on bensiinikäyttöinen, moottorin pakokaasut sisältävät hiilimonoksidia, joka voi aiheuttaa häikämyrkytyksen. Älä siis koskaan käynnistä tai käytä laitetta sisällä tai tiloissa, joissa on puutteellinen ilmanvaihto.
- Lehtipuhallinta ei saa käyttää tikkailla tai telineillä seisten eikä korkeissa paikoissa (kuten katoilla). Tällainen käyttö voi johtaa vakavaan loukkaantumiseen.



- Älä käytä laitetta niin, ettei sinulla onnettomuustapauksessa ole mahdollisuutta kutsua apua.
- Älä koskaan aseta esineitä ilmanottoaukkoon, sillä tämä voi estää ilmaa virtaamasta ja aiheuttaa vaurioita laitteelle.
- Varmista, että laite ei osu aitoihin, puihin tai muihin koviin materiaaleihin. Tällöin kone voi vaurioitua ja seurauksena voi olla vakava loukkaantuminen.
- Tarkkaile aina varoitussignaaleja ja -huutoja kuulonsuojaimia käyttäessäsi. Riisu kuulonsuojaimet välittömästi moottorin pysäytyksen jälkeen.

Henkilökohtainen suojarustus

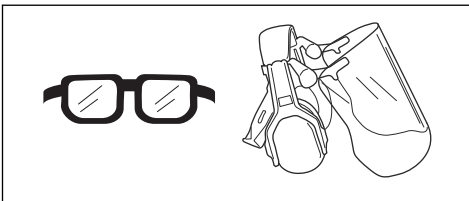


VAROITUS: Lue seuraavat varoitusohjeet ennen laitteen käyttämistä.

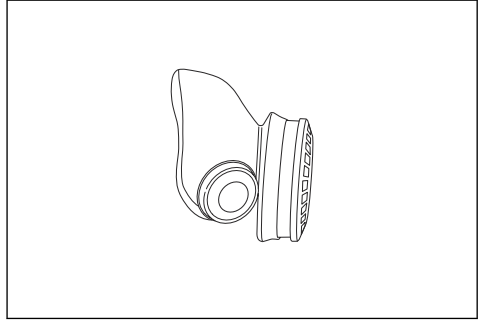
- Käytä aina hyväksytyjä henkilökohtaisia suojarusteita, kun käytät

laitetta. Henkilökohtaiset suojarusteet eivät poista tapaturmien vaaraa, mutta ne lieventävät vammoja onnettomuustilanteessa. Anna jälleenmyyjän auttaa oikeiden varusteiden valinnassa.

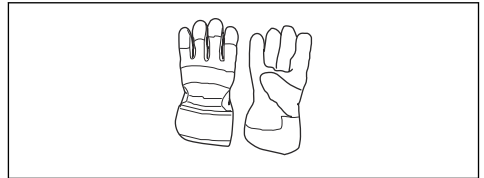
- Käytä riittävän tehokkaasti vaimentavia hyväksytyjä kuulonsuojaimia. Pitkäaikainen altistuminen melulle saattaa aiheuttaa pysyviä kuulovammoja.
- Käytä hyväksytyjä silmäsuojaimia. Visiiriä käytettäessä on käytettävä myös hyväksytyjä suojalaseja. Hyväksytyillä suojalaseilla tarkoitetaan laseja, jotka täyttävät standardin ANSI Z87.1 (Yhdysvallat) tai EN 166 (EU-maat) vaatimukset.



- Käytä hengityssuojainta, jos on olemassa pölyvaara.



- Käytä käsineitä tarvittaessa esimerkiksi varusteiden asennuksen, tarkastuksen ja puhdistuksen aikana.



- Käytä luistamattomia ja tukevia saappaita tai kenkiä.



- Käytä lujasta materiaalista valmistettuja vaatteita. Käytä aina vahvakankaisia pitkiä housuja ja pitkähihaista takkia. Vältä liian löysiä vaatteita, jotka tarttuvat helposti risuihin ja oksiiin. Älä pidä koruja, shortseja

tai sandaaleja. Älä myöskään kulje paljain jaloin. Sido hiukset turvallisesti olkapäiden yläpuolelle.

- Pidä ensiaputarvikkeet helposti saatavilla.



Turvaohjeet huoltoa varten



VAROITUS: Lue seuraavat varoitusohjeet ennen laitteen käyttämistä.

Tarkista laite kokonaisuudessaan ennen käyttöä. Katso huoltokaavio.

Noudata tässä käyttöohjeessa annettuja kunnossapito- ja huolto-ohjeita. Tietyt kunnossapito- ja huoltotyöt on annettava koulutettujen ja pätevien asiantuntijoiden tehtäviksi. Katso ohjeet kohdasta Kunnossapito.

Tarkista aina ennen työn aloittamista, ettei mikään tuki ilmasuodatinta.

Tee asennus- ja purkutoimenpiteet lähellä maan pintaa, jotta laite ei vaurioidu, mikäli se putoaa.

Käyttö

Lisälaitteen käyttäminen

Huomautus: Ota huomioon alueella asuvat henkilöt välttämällä koneen käyttöä sopimattomina aikoina, esimerkiksi myöhään illalla tai aikaisin aamulla. Laske äänitasoa rajoittamalla yhtä aikaa käytettävien laitteiden määrää. Lue ja noudata alla olevia yksinkertaisia neuvoja, jotta häiritisit ympäristöäsi mahdollisimman vähän.

1. Irrota kiinni tarttuneet roskat maasta haravalla tai luudalla.
2. Puhdista nurkat aloittaen nurkasta ja edeten ulospäin. Tällä tavoin estät roskien kerääntymisen nurkkaan, josta ne voisivat lentää kasvoillesi.
3. Käytä lehtipuhallinta mahdollisimman pienellä kaasulla/nopeudella. Täyskaasua/-nopeutta tarvitaan vain harvoin. Monet työvaiheet voidaan tehdä puolikaasulla/-nopeudella. Pienempi kaasu/nopeus vähentää melua ja pölyä. Kerättävät/siirrettävät roskat on myös helpompi pitää hallinnassa.
4. Minimoi puhallusaika kostuttamalla pölyiset alueet kevyesti tai käyttämällä ruiskulaitetta.
5. Vähennä vedenkulutusta käyttämällä puhaltimia vesiletkujen sijaan nurmikon ja puutarhanhoidon eri käyttötarkoituksiin kuten säleikköjen, verkkojen, ritilöiden ja verantojen puhdistukseen.
6. Ole varovainen työskennellessäsi lähellä istutuksia. Voimakas ilmavirtaus voi vahingoittaa arkoja kasveja.
7. Ilmasuihkun nopeutta säädetään kaasu-/käyttöliipaisimella. Valitse nopeus sopivaksi kunkin käyttötarkoituksen mukaan.
8. Tarkkaile tuulensuuntaa. Työskentele tuulen suuntaan työn helpottamiseksi.
9. Lehtipuhallimen käyttö suurten kasojen siirtämiseen on aikaavievää ja aiheuttaa tarpeetonta melua.
10. Seiso tasapainoisessa ja tukevassa asennossa.
11. Jätä putken ja maan väliin tyhjää tilaa, jotta putki ei osu maahan laitetta käytettäessä.

12. Siivoa jälkesi. Varmista, ettet ole puhaltanut roskia kenenkään tontille. Hävitä roskat muiden jätteiden mukana.

13. Työn jälkeen laitetta säilytetään vaaka-asennossa.

Huolto

Johdanto

Alla on annettu joitakin yleisiä hoito-ohjeita. Jos tarvitset lisäohjeita, ota yhteys huoltoliikkeeseen.

Lisälaitteen päivittäinen kunnossapito



VAROITUS: Pysäytä moottori aina ennen lisälaitteen huoltamista tai puhdistamista. Jos laite on bensiinikäyttöinen, irrota sytytyskaapeli sytytystulpasta. Jos laite on akkukäyttöinen, irrota akku.

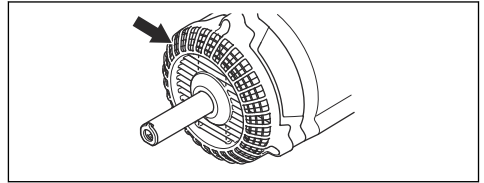


VAROITUS: Pidä kaikki kehon osat poissa kuumilta pinnoilta.

1. Puhdista puhaltimen ulkopinta.
2. Varmista, että missään osassa koteloa ei ole halkeamia.
3. Varmista, että laite on moitteettomassa kunnossa.
4. Varmista, että kaikki ruuvit ja mutterit on kiristetty.
5. Puhdista tarrat kostealla liinalla ja miedolla puhdistusaineella.

Ilmanottosäleikön tarkistaminen

1. Tarkista kaikilta puolilta (myös alta), ettei ilmanottoaukko tukkeudu esimerkiksi lehdistä tai roskista. Tukkeutunut ilmanottoaukko vähentää laitteen puhallustehoa ja lisää moottorin työlämpötilaa, mikä voi johtaa moottorivaurioihin. Pysäytä moottori ja poista tukkeuma.



Kuljettaminen, säilyttäminen ja hävittäminen

Kuljetus ja säilytys

Tee seuraavat toimenpiteet jokaisen käytön jälkeen:

- Anna laitteen jäähtyä ennen varastointia tai kuljetusta.
- Säilytä korkealla viileässä ja kuivassa sisätilassa poissa lasten ulottuvilta.

VARASTOINTI

Valmistele laite varastointia varten käyttökauden päättyessä tai jos sitä ei käytetä ainakaan kuukauteen. Jos puhallin varastoidaan pitkäksi aikaa:

- Puhdista laite.
- Tarkista, ettei laitteesta ole irronnut osia ja ettei mikään osa ole vaurioitunut. Kiristä löystyneet ruuvit.
- Vaihda vaurioituneet, kuluneet tai rikkoutuneet osat.
- Täytä laitteeseen seuraavan käyttökauden alussa tuoretta polttoainetta, jonka bensiinin ja öljyn suhde on oikea.

Tekniset tiedot

Bensiinikäyttöisten laitteiden tekniset tiedot

BA101	
Paino	
Paino, kg	1,9
Melupäästöt	
Äänen tehotaso, mitattu dB(A)	109
Äänen tehotaso, taattu L_{WA} dB(A)	112
Äänitasot ⁵⁷	
Vastaava äänenpainetaso käyttäjän korvan tasalla mitattuna standardin EN15503 mukaan, dB(A)	99
Tärinätasot ⁵⁸	
Kahvojen vastaavat tärinätasot ($a_{hv,eq}$) mitattuna standardin EN 15503 mukaan, m/s^2	
Etu-/takakahvat:	5,6/8,3
Puhallusteho ⁵⁹	
Maks. ilmannoisuus vakiosuuttimella, m/s:	66
Ilmanvirtaus vakiosuuttimella, m^3/min	15

Akkukäyttöisten laitteiden tekniset tiedot

325iLK + Blower attachment BA101	
Paino	
Paino, kg	2,3 + 1,9
Melupäästöt ⁶⁰	
Äänen tehotaso, mitattu dB(A)	103
Äänen tehotaso, taattu L_{WA} dB(A)	106

⁵⁷ Vastaava äänenpainetaso lasketaan niin, että työkäytöstä 1/7 on joutokäyntiä ja 6/7 tehokäyttöä. Ilmoitetuilla tiedoilla vastaavasta laitteen äänenpainetasosta tyypillinen tilastollinen hajonta (vakiopoikkeama) on 1 dB(A).

⁵⁸ Vastaava tärinätaaso lasketaan niin, että työkäytöstä 1/7 on joutokäyntiä ja 6/7 tehokäyttöä. Ilmoitetuilla tiedoilla vastaavasta tärinätasosta tyypillinen tilastollinen hajonta (vakiopoikkeama) on 1 m/s^2 .

⁵⁹ 525LK/GC2225C-moottoriyksikön kanssa.

⁶⁰ Melupäästö ympäristöön äänentehona (L_{WA}) EY-direktiivin 2000/14/EY mukaisesti mitattuna. Laitteen ilmoitettu äänentehotaso on mitattu käyttäen alkuperäistä terälaitetta, joka antaa suurimman äänentehotason. Taatun ja mitatun äänitehon erona on se, että taattu ääniteho sisältää myös mitatun tuloksen hajonnan ja vaihtelun saman mallin eri laitteiden välillä direktiivin 2000/14/EY mukaisesti.

325iLK + Blower attachment BA101	
Äänitasot ⁶¹	
Äänenpainetaso käyttäjän korvan tasalla mitattuna standardin ISO 26868 mukaan, dB(A)	
Varustettu hyväksytyllä lisävarusteella (alkuperäinen), dB(A)	93
Tärinätasot ⁶²	
Kahvojen tärinätasot standardin EN 62841-1 mukaan mitattuna, m/s ²	
Varustettu hyväksytyllä lisävarusteella (alkuperäinen), vasen/oikea m/s	1,6/1,1
Puhallusteho ⁶³	
Normaalitilan ilmavirtaus vakiosuuttimella, m ³ /min	14
Ilman enimmäisnopeus normaalitilassa vakiosuuttimella, m/s	52

⁶¹ Ilmoitetuilla tiedoilla koneen äänenpainetasosta tyypillinen tilastollinen hajonta (vakiopoikkeama) on 3 dB(A). Taso on mitattu käyttäen alkuperäistä lisälaitetta, joka antaa suurimman äänentehotason. Mitattu yhdessä 325iLK-moottoriyksikön kanssa.

⁶² Tärinätasolle ilmoitetuissa tiedoissa tyypillinen tilastollinen hajonta (vakiopoikkeama) on 2 m/s². Käytä akku- ja polttomoottorikäyttöisten laitteiden tärinätaojen vertailussa tärinälaskuria. Katso <https://www.husqvarna.com/uk/services-solutions/vibration-calculator/>. Mitattu yhdessä 325iLK-moottoriyksikön kanssa.

⁶³ Mitattu yhdessä 325iLK-moottoriyksikön kanssa.

Vaatimustenmukaisuusvakuutus

EU-vaatimustenmukaisuusvakuutus

Husqvarna AB, SE-561 82 Huskvarna, Ruotsi, puh. +46
36 146500, vakuuttaa täten, että tuote:

Kuvaus	Puhallinlisälaite
Tuotemerkki	Husqvarna
Tyyppi/malli	BA101
Tunniste	Sarjanumerot vuodesta 2022 alkaen

vastaavat täysin seuraavien EU:n direktiivien ja
asetusten vaatimuksia:

Asetus	Kuvaus
2006/42/EC	konedirektiivi
2000/14/EC	Melupäästädirektiivi
2011/65/EU	Direktiivi tiettyjen vaarallisten aineiden käytön rajoittamisesta sähkö- ja elektroniikkalaitteissa

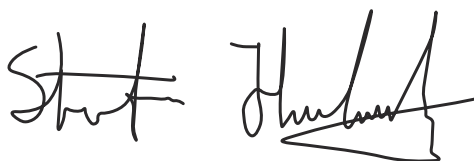
ja että asiassa sovelletaan seuraavia standardeja
ja/tai teknisiä tietoja: EN15503:2009+A2:2015, EN ISO
12100:2021, EN IEC 63000:2018.

RISE SMP Svensk Maskinprovning AB, Box 7035,
SE-750 07 Uppsala, Sweden on suorittanut Husqvarna
AB:n puolesta vapaaehtoisen tyyppitarkastuksen.

Sertifikaatin numero: SEC/15/2416 – Husqvarna BA101.

Katso lisätietoja melupäästöistä osiosta *Tekniset tiedot*
sivulla 118.

Huskvarna, 2022-05-09



Stefan Holmberg, Tuotekehityspäällikkö, Technology
Management, Husqvarna AB

Teknisestä dokumentaatiosta vastaava edustaja



EU-vaatimustenmukaisuusvakuutus

Husqvarna AB, SE-561 82 Huskvarna, Ruotsi, puh. +46
36 146500, vakuuttaa täten, että tuote:

Kuvaus	Puhallinlisälaite ja tehoyksikkö Husqvarna 325iLK
Tuotemerkki	Husqvarna
Tyyppi/malli	BA101
Tunniste	Sarjanumerot vuodesta 2022 alkaen

vastaavat täysin seuraavien EU:n direktiivien ja
asetusten vaatimuksia:

Asetus	Kuvaus
2006/42/EC	konedirektiivi
2000/14/EC	Melupäästädirektiivi
2011/65/EU	Direktiivi tiettyjen vaarallisten aineiden käytön rajoittamisesta sähkö- ja elektroniikkalaitteissa

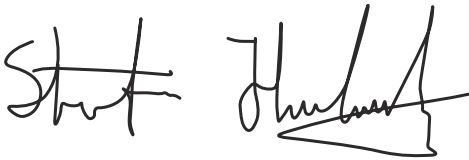
ja että asiassa sovelletaan seuraavia standardeja ja/tai
tekniisiä tietoja: IEC 60335-2-100, EN IEC 63000:2018.

RISE SMP Svensk Maskinprovning AB, Box 7035,
SE-750 07 Uppsala, Sweden on suorittanut Husqvarna
AB:n puolesta vapaaehtoisen tyyppitarkastuksen.
Sertifiikaatin numero: SEC/15/2416 – Husqvarna BA101.

RISE SMP Svensk Maskinprovning AB, Box
7035, SE-750 07 Uppsala, Sweden on myös
vahvistanut vaatimustenmukaisuuden neuvoston
direktiivin 2000/14/EY liitteen V mukaisesti. Sertifiikaatin
numero: 01/012/014.

Katso lisätietoja melupäästöistä osiosta *Tekniset tiedot*
sivulla 118.

Huskvarna, 2022-05-09



Stefan Holmberg, Tuotekehityspäällikkö, Technology
Management, Husqvarna AB

Teknisestä dokumentaatiosta vastaava edustaja



Sommaire

Introduction.....	122	Transport, entreposage et mise au rebut.....	131
Sécurité.....	123	Caractéristiques techniques.....	131
Utilisation.....	129	Déclaration de conformité.....	134
Entretien.....	130		

Introduction

Description du produit

Nous travaillons continuellement au développement de nos produits et nous réservons le droit d'en modifier, entre autres, la conception et l'aspect sans préavis.

Remarque: Le présent manuel concerne à la fois les blocs d'alimentation fonctionnant à l'essence et ceux alimentés par batterie.

Utilisation prévue



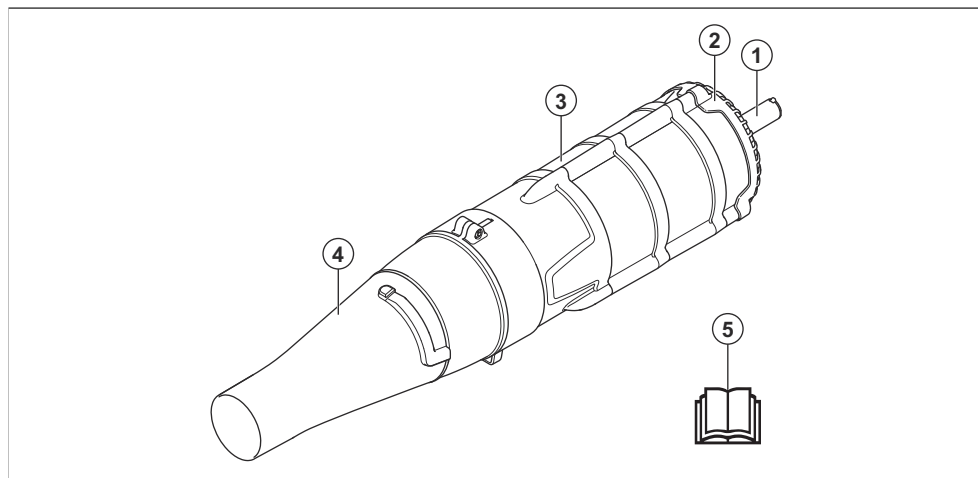
AVERTISSEMENT: Cet accessoire est conçu pour être utilisé

uniquement avec le bloc d'alimentation correspondant.

Reportez-vous au chapitre sur l'accessoire du manuel d'utilisation du bloc d'alimentation.

L'accessoire est conçu uniquement pour le nettoyage des pelouses, des allées, des routes goudronnées et voies similaires.

Présentation de l'accessoire



1. Arbre
2. Grille d'entrée d'air
3. Logement de ventilateur
4. Buse d'air
5. Manuel d'utilisation

Symboles sur l'accessoire et le bloc d'alimentation



Une utilisation erronée ou négligente de cet accessoire peut occasionner des blessures graves, voire mortelles, pour l'opérateur ou d'autres personnes.



Avant d'utiliser l'accessoire, lisez attentivement le manuel de l'opérateur et assimilez les instructions qu'il contient.



Cet accessoire est conforme aux directives CE en vigueur.



Ce produit est conforme aux directives applicables en vigueur au Royaume-Uni.



Utilisez des protège-oreilles, des protections pour les yeux et un masque respiratoire homologués.



Utilisez des gants de protection homologués.



Émissions sonores dans l'environnement selon la directive CE. Les émissions de l'accessoire sont indiquées au chapitre Caractéristiques techniques et sur l'étiquette.



L'opérateur du souffleur doit veiller à ce qu'aucune personne ou aucun animal ne se trouve à moins de 15 mètres. Lorsque plusieurs opérateurs partagent le même lieu de travail, la distance de sécurité doit être de 15 mètres au minimum. Le souffleur peut projeter violemment des objets pouvant ricocher. Ceci peut provoquer de graves blessures aux yeux si l'équipement de protection personnel recommandé n'est pas utilisé.



Le souffleur peut projeter violemment des objets pouvant ricocher. Ceci peut provoquer de graves blessures aux yeux si l'équipement de protection personnelle recommandé n'est pas utilisé.



L'opérateur du produit doit s'assurer qu'aucune personne ou aucun animal ne s'approche à moins de 15 mètres pendant le travail.



Sectionnement des doigts ou de la main par les pales du ventilateur. N'ouvrez ou ne déposez pas les filets ou dispositifs de sécurité pendant que le moteur est en marche.

Remarque: Les autres symboles/autocollants présents sur l'accessoire concernent des exigences de certification spécifiques à certains marchés.

Sécurité

Définitions de sécurité

Des avertissements, des recommandations et des remarques sont utilisés pour souligner des parties

spécialement importantes du manuel d'utilisation.



AVERTISSEMENT:

Symbole utilisé en cas de risque de blessures ou de mort

pour l'opérateur ou les personnes à proximité si les instructions du manuel ne sont pas respectées.



REMARQUE: Symbole utilisé en cas de risque de dommages pour le produit et/ou l'accessoire, d'autres matériaux ou les environs si les instructions du manuel ne sont pas respectées.

Remarque: Symbole utilisé pour donner des informations supplémentaires pour une situation donnée.

Instructions générales de sécurité



AVERTISSEMENT: Lisez les consignes de sécurité qui suivent avant d'utiliser l'accessoire.

- Lisez attentivement et assimilez le manuel d'utilisation avant d'utiliser l'accessoire.
- Lisez ce manuel ainsi que le manuel d'utilisation

du bloc d'alimentation pour obtenir toutes les informations destinées à l'utilisateur.

- Ne modifiez jamais l'accessoire sans l'autorisation du fabricant. N'utilisez pas un accessoire qui semble avoir été modifié par un tiers et utilisez toujours des accessoires d'origine. Des modifications non autorisées et/ou l'emploi d'accessoires non homologués peuvent provoquer des accidents graves, voire mortels, à l'utilisateur ou d'autres personnes.

Instructions de sécurité pour le fonctionnement



AVERTISSEMENT: Lisez les instructions qui suivent avant d'utiliser le produit.

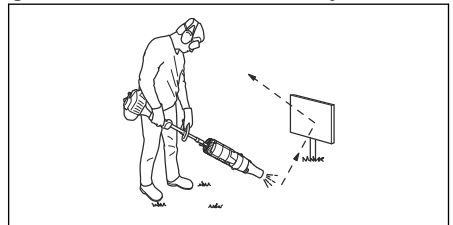


AVERTISSEMENT: Ce produit génère un champ électromagnétique durant son fonctionnement. Ce champ peut dans certaines circonstances perturber le fonctionnement d'implants médicaux

actifs ou passifs.
Pour réduire le risque de blessures graves ou mortelles, les personnes portant des implants médicaux doivent consulter leur médecin et le fabricant de leur implant avant d'utiliser cet appareil.

- Ne jamais utiliser le produit en cas de fatigue, de maladie, d'ingestion d'alcool, de drogues ou de certains médicaments pouvant agir sur la vision, la capacité de jugement ou la coordination.
- N'utilisez jamais un produit qui n'est pas en parfait état de marche.
- Tous les carters et toutes les protections doivent être montés avant le démarrage. Si vous disposez d'un produit fonctionnant à l'essence, vérifiez que le capuchon de la bougie et le câble d'allumage ne sont pas endommagés afin d'éviter tout risque de choc électrique.
- L'opérateur du souffleur doit veiller à ce qu'aucune personne ou aucun animal ne se trouve à moins de 15 mètres. Lorsque plusieurs opérateurs partagent le même lieu de travail, la distance de sécurité doit être de 15 mètres au minimum.
- Ne laissez jamais un enfant utiliser le produit.
- Ne laissez jamais d'autres personnes utiliser le produit sans vous être assuré au préalable que ces personnes ont bien lu et compris le contenu du mode d'emploi.
- Ne retirez jamais la grille d'entrée d'air.
- Ne touchez jamais la bougie ou le câble d'allumage lorsque le moteur tourne. Si vous touchez la bougie ou la fiche, vous risquez de subir un choc électrique.
- Toujours consulter les autorités locales pour s'assurer d'appliquer les règlements en vigueur.
- Maintenez toutes les parties de votre corps à distance des surfaces chaudes.
- Dans l'éventualité d'une situation rendant la suite du travail incertaine, consultez un expert. Adressez-vous au revendeur ou à l'atelier de réparation. Évitez les tâches pour lesquelles vous ne vous sentez pas suffisamment qualifié.
- Maintenir l'embout du tube de soufflage le plus près

- possible du sol. Utilisez toute la longueur du tube de soufflage afin de maintenir le courant d'air proche du sol.
- Utilisez la machine pendant les heures de travail habituelles, afin d'éviter les nuisances inutiles. Évitez de travailler tôt le matin ou tard le soir.
 - Soyez conscient de l'environnement qui vous entoure. Si une personne s'approche de la zone de travail, relâchez la gâchette d'accélération/de puissance jusqu'à ce que cette personne se trouve de nouveau à une distance de sécurité. Dirigez le jet d'air loin des personnes, animaux, aires de jeux, voitures, fenêtres ouvertes, voitures, etc. La force de l'air peut projeter ou faire ricocher des pierres, des débris ou des bâtons, ce qui peut blesser les personnes ou animaux à proximité, casser les vitres ou causer d'autres dommages.
 - Ne mettez jamais les mains ou n'introduisez jamais d'objets à l'intérieur du capot de l'aspiro-souffleur. La roue à ailette peut être la cause de blessures très graves.
- Veillez à ce que la surface extérieure soit propre, sans traces d'huile ou d'essence.
 - N'utilisez jamais l'appareil pour l'épandage de produits chimiques, d'engrais ou d'autres substances pouvant contenir des produits toxiques.
 - Pour éviter la propagation du feu, n'utilisez pas la machine près de feux de feuilles ou de broussailles, de cheminées, de barbecues, de cendriers, etc.
 - Ne jamais asperger l'appareil avec de l'eau ou un liquide quelconque.
 - Toujours tenir la machine des deux mains. Porter la machine sur le côté du corps.
 - Si vous disposez d'un produit fonctionnant à l'essence, laissez le moteur refroidir avant le remplissage de carburant.
 - Le puissant jet d'air peut déplacer des objets à une telle vitesse qu'ils risquent, en cas de ricochet, de causer de graves blessures aux yeux.



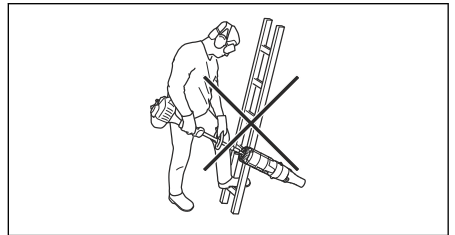
- Arrêtez le moteur avant le montage ou le démontage d'accessoires ou d'autres éléments.
- N'utilisez pas le produit par mauvais temps, tel qu'en cas de brouillard épais, de pluie diluvienne, de vent violent, de froid intense, etc. Travailler par mauvais temps est fatigant et peut créer des conditions de travail dangereuses, par exemple les surfaces peuvent être glissantes.
- Assurez-vous de pouvoir vous tenir et vous déplacer en toute sécurité. Repérez les éventuels obstacles en cas de déplacement imprévu : souches, pierres, branchages, fondrières, etc. Observez la plus grande prudence lors de travail sur des terrains en pente.



- Ne posez jamais le produit au sol lorsque le moteur est en marche, sauf si vous pouvez le surveiller.
- Si vous disposez d'un produit fonctionnant à l'essence,

les gaz d'échappement du moteur contiennent du monoxyde de carbone pouvant provoquer une intoxication. Ne jamais démarrer ou utiliser le produit à l'intérieur d'un bâtiment ou dans un lieu mal aéré.

- L'aspiro-souffleur ne doit pas être utilisé sur des échelles ou des échafaudages, ou d'autres endroits en hauteur (comme sur les toits). Cette action pourrait provoquer des blessures corporelles graves.



- N'utilisez pas le produit s'il n'est pas possible d'appeler au secours en cas d'accident.
- N'introduisez jamais d'objets dans la prise d'air pour ne pas entraver la circulation et causer des dommages à l'appareil.
- Assurez-vous que le produit ne heurte aucune clôture, arbre ou autre matériau dur. Ceci pourrait endommager la machine et entraîner de graves blessures.
- Restez attentif aux signaux d'alerte ou aux appels lorsque

vous portez des protecteurs d'oreille. Enlevez toujours vos protège-oreilles dès que le moteur s'arrête.

Équipement de protection individuel

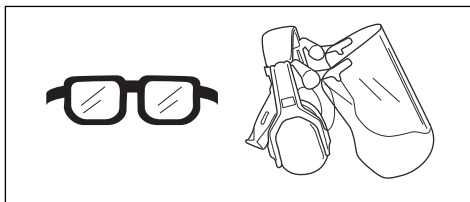


AVERTISSEMENT:

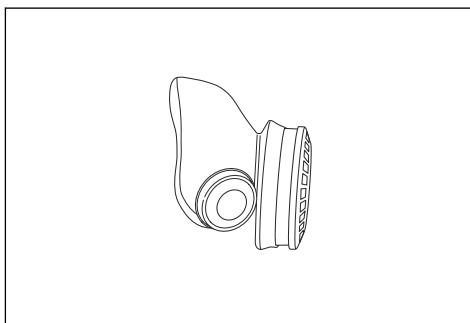
Lisez les instructions qui suivent avant d'utiliser le produit.

- Portez toujours un équipement de protection individuel homologué lorsque vous utilisez le produit. L'équipement de protection individuel ne protège pas complètement des blessures, mais il diminue la gravité des blessures en cas d'accident. Faites appel à votre revendeur pour vous aider à sélectionner l'équipement adéquat.
- Portez des protège-oreilles homologués ayant un effet atténuateur suffisant. Une exposition prolongée au bruit risque de causer des lésions auditives permanentes.
- Utilisez des protections pour les yeux homologuées. L'usage d'une visière doit toujours s'accompagner du port de lunettes de protection homologuées. Par lunettes de

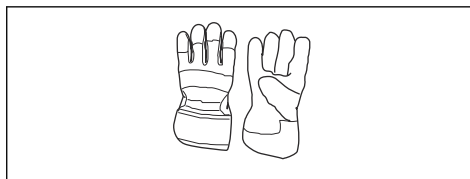
protection homologuées, on entend celles qui sont en conformité avec les normes ANSI Z87.1 (États-Unis) ou EN 166 (pays de l'UE).



- Utilisez une protection respiratoire lorsqu'il y a un risque de présence de poussières.



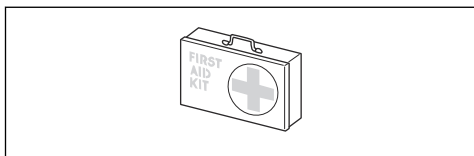
- Portez des gants de protection en cas de besoin, par exemple lorsque vous fixez, examinez ou nettoyez l'équipement.



- Utilisez des bottes ou des chaussures antidérapantes solides.



- Portez des vêtements fabriqués dans un matériau résistant. Portez toujours des pantalons longs, épais et des manches longues. Ne portez pas de vêtements amples qui risqueraient de se prendre dans les brindilles et les branches. Ne portez pas de bijoux, de shorts, de sandales et ne marchez pas pieds nus. Attachez vos cheveux de façon sécurisée au-dessus de vos épaules.
- Gardez toujours une trousse de premiers soins à portée de main.



Instructions de sécurité pour l'entretien



AVERTISSEMENT:

Lisez les instructions qui suivent avant d'utiliser le produit.

Effectuez une inspection générale du produit avant de l'utiliser. Consultez le programme d'entretien.

Suivez les instructions de maintenance et d'entretien indiquées dans ce manuel. Certaines opérations de maintenance et d'entretien doivent être réalisées par un spécialiste dûment formé et qualifié. Voir les instructions à la section Maintenance.

Vérifiez toujours qu'aucun objet n'obstrue la grille d'entrée d'air avant de commencer le travail.

Afin d'éviter tout dommage du produit en raison de sa chute, le montage et le démontage doivent être effectués au plus près du sol.

Utilisation

Utilisation de l'accessoire

Remarque: Respecter les voisins en évitant d'utiliser la machine à des heures indues comme par exemple tard le soir ou tôt le matin. Réduisez les niveaux sonores en limitant le nombre d'équipements utilisés simultanément. Lire attentivement et suivre les

conseils ci-dessous afin de déranger les voisins le moins possible.

1. Utiliser un râteau ou un balai pour dégager les déchets enfouis dans le sol.

2. Nettoyez les coins en commençant dans l'angle et en progressant vers l'extérieur. Ceci évitera l'accumulation de débris qui pourraient être projetés vers votre visage.
3. Utilisez le souffleur sur le régime/la vitesse le/la plus faible. L'utilisation du régime/de la vitesse maximal(e) est rarement nécessaire et de nombreux travaux peuvent être effectués à demi-régime/vitesse. L'utilisation d'un régime/d'une vitesse plus faible signifie moins de bruit et moins de poussière. Cela permet également de contrôler plus facilement les déchets à rassembler/déplacer.
4. Réduisez la durée de soufflage en humidifiant légèrement les zones poussiéreuses ou en utilisant un pulvérisateur.
5. Réduisez la consommation d'eau en utilisant des aspirateurs plutôt que des tuyaux à eau pour différentes applications sur la pelouse et dans le jardin, telles que les treillis, les filtres, les grilles, les vérandas, etc.
6. Utilisez l'appareil avec précaution à proximité de plantes. La puissance de l'air risque d'endommager les plantes délicates.
7. La vitesse du flux d'air se règle à l'aide de la gâchette d'accélération/de puissance. Sélectionner la vitesse la mieux adaptée à l'utilisation.
8. Tenir compte de la direction du vent. Le travail est plus facile s'il est effectué dans la direction du vent.
9. L'utilisation du souffleur pour déplacer des monticules importants de déchets prend beaucoup de temps tout en étant inutilement bruyante.
10. Soyez bien en équilibre, les pieds d'aplomb.
11. Maintenez une distance suffisante entre le tube et le sol pour éviter tout contact avec le sol lorsque vous travaillez avec la machine.
12. Nettoyer une fois le travail terminé. S'assurer que des déchets n'ont pas été accidentellement projetés dans un jardin voisin. Débarrassez-vous des débris dans une poubelle appropriée.
13. Une fois le travail terminé, remisez le produit en position horizontale.

Entretien

Introduction

Nous donnons ici quelques conseils d'entretien à caractère général. Pour plus d'informations, contacter l'atelier de réparation.

Maintenance quotidienne de l'accessoire



AVERTISSEMENT: Arrêtez toujours le moteur avant de nettoyer ou d'effectuer la maintenance de l'accessoire. Si vous disposez d'un produit fonctionnant à l'essence, débranchez le câble d'allumage de la bougie. Si vous disposez d'un produit alimenté par batterie, retirez la batterie.

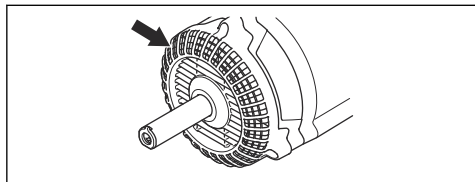


AVERTISSEMENT:
Maintenez toutes les parties de votre corps à distance des surfaces chaudes.

1. Nettoyez la surface extérieure de l'aspiro-souffleur.
2. Assurez-vous que tous les carters sont exempts de fissures.
3. Assurez-vous que le produit est en parfait état d'utilisation.
4. Assurez-vous que tous les écrous et les vis sont serrés.
5. Nettoyez les étiquettes avec un chiffon humide et un détergent doux.

Contrôle de la grille d'entrée d'air

1. Contrôlez que la prise d'air n'est bouchée sur aucun côté y compris en dessous, par des feuilles ou des débris par exemple. Une prise d'air bouchée réduit la capacité de soufflage du produit et augmente la température de fonctionnement du moteur, ce qui risque de provoquer une défaillance du moteur. Arrêtez le moteur et retirez les déchets bloquant l'entrée d'air.



Transport, entreposage et mise au rebut

Transport et rangement

Après chaque utilisation, procédez comme suit :

- Laissez l'appareil refroidir avant le remisage ou le transport.
- Rangez l'appareil hors de portée des enfants dans un lieu frais et sec.

Remisage saisonnier

Préparez l'accessoire pour le remisage en fin de saison ou s'il ne doit pas être utilisé pendant une période de

plus de 30 jours. Si l'accessoire aspirateur-souffleur doit être remisé pendant une période prolongée :

- Nettoyez l'unité.
- Vérifiez qu'aucune pièce n'est desserrée ou endommagée. Serrez les vis desserrées.
- Remplacez les pièces endommagées, usées ou cassées.
- Au début de la saison suivante, utilisez exclusivement du carburant frais ayant les bonnes proportions essence/huile.

Caractéristiques techniques

Caractéristiques techniques pour produits fonctionnant à l'essence

BA101	
Poids	
Poids, kg	1,9
Émissions sonores	
Niveau de puissance sonore, mesuré dB(A)	109
Niveau de puissance acoustique, garanti L_{WA} dB(A)	112
Niveaux sonores ⁶⁴	
Niveau de pression sonore équivalent au niveau de l'oreille de l'utilisateur, mesuré selon EN15503, dB(A)	99

⁶⁴ Le niveau de pression sonore équivalent est calculé avec un cycle de travail d'une durée de 1/7 pour le ralenti, et 6/7 pour la course. Les données reportées pour le niveau de pression sonore équivalent pour la machine montrent une dispersion statistique typique (déviations standard) de 1 dB(A).

BA101	
Niveaux de vibrations ⁶⁵	
Niveaux de vibrations équivalents ($a_{hv,eq}$) mesurés au niveau des poignées selon la norme EN 15503, en m/s^2	
Poignées avant/arrière :	5,6/8,3
Performances du ventilateur ⁶⁶	
Vitesse d'air max. pour la buse standard, m/s :	66
Débit d'air pour la buse standard, m^3/min	15

Caractéristiques techniques pour produits alimentés par batterie

325iLK + Blower attachment BA101	
Poids	
Poids, kg	2,3 + 1,9
Émissions sonores ⁶⁷	
Niveau de puissance sonore, mesuré dB(A)	103
Niveau de puissance acoustique, garanti L_{WA} dB(A)	106
Niveaux sonores ⁶⁸	
Niveau de pression sonore au niveau des oreilles de l'utilisateur, mesurée selon la norme ISO 26868, dB(A)	
Équipé d'un accessoire homologué (d'origine), dB (A)	93
Niveaux de vibrations ⁶⁹	
Niveau de vibration au niveau des poignées mesuré selon la norme EN 62841-1 en m/s^2	
Équipé d'un accessoire homologué (d'origine), gauche/droite, m/s	1,6/1,1
Performances du ventilateur ⁷⁰	
Flux d'air en mode normal avec buse standard, m^3/min	14

⁶⁵ Le niveau de vibration équivalent est calculé avec un cycle de travail d'une durée de 1/7 pour le ralenti, et 6/7 pour la course. Les données reportées pour le niveau de vibrations équivalent montrent une dispersion statistique type (déviation standard) de 1 m/s^2 .

⁶⁶ Avec le bloc moteur 525LK/GC2225C.

⁶⁷ Émissions sonores dans l'environnement mesurées comme puissance sonore (L_{WA}) selon la directive européenne CE 2000/14/CE. Le niveau de puissance sonore reporté pour la machine a été mesuré avec l'équipement de coupe d'origine qui donne le niveau le plus élevé. Le niveau de puissance sonore garanti diffère du niveau mesuré en cela qu'il prend également en compte la dispersion et les variations d'une machine à l'autre du même modèle, conformément à la directive 2000/14/CE.

⁶⁸ Les données reportées pour le niveau de pression acoustique de la machine ont une dispersion statistique typique (déviation standard) de 3 dB (A) et ont été mesurées avec l'équipement d'origine qui donne le niveau le plus élevé. Mesurées avec le bloc moteur 325iLK.

⁶⁹ Les données reportées pour le niveau de vibrations montrent une dispersion statistique typique (déviation standard) de 2 m/s^2 . Pour comparer les niveaux de vibrations, la batterie et les produits de combustion utilisent le calculateur de vibrations. Reportez-vous à <https://www.husqvarna.com/uk/services-solutions/vibration-calculator/>. Mesurées avec le bloc moteur 325iLK.

⁷⁰ Mesurées avec le bloc moteur 325iLK.

325iLK + Blower attachment BA101

Vitesse maximale de l'air en mode normal pour la buse standard, m/s :

52

Déclaration de conformité

Déclaration de conformité UE

Nous, **Husqvarna AB**, SE-561 82 Huskvarna, Suède,
tél : +46-36-146500, déclarons sous notre entière
responsabilité que le produit :

Description	Accessoire pour souffleur
Marque	Husqvarna
Type/Modèle	BA101
Identification	Les numéros de série à partir de 2022 et ultérieurs

est entièrement conforme à la réglementation et aux
directives de l'UE suivantes :

Réglementation	Description
2006/42/EC	« relative aux machines »
2000/14/EC	« relative aux émissions sonores dans l'environnement »
2011/65/UE	« relative à la limitation de l'utilisation de certaines substances dangereuses au sein d'équipements électriques et électroniques »

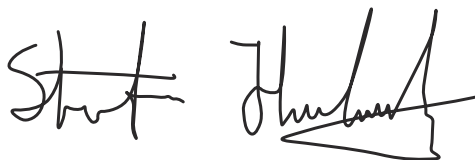
et que les normes et/ou les spécifications techniques
suivantes sont appliquées : EN15503:2009+A2:2015,
EN ISO 12100:2021, EN IEC 63000:2018.

RISE SMP Svensk Maskinprovning AB, Box 7035,
SE-750 07 Uppsala, Sweden a procédé à des examens
volontaires pour le compte de Husqvarna AB.

Numéro de certificat : SEC/15/2416 – Husqvarna
BA101.

Pour toute information relative aux émissions sonores,
voir *Caractéristiques techniques à la page 131*.

Huskvarna, 2022-05-09



Stefan Holmberg, Directeur R&D, gestion de la
technologie, Husqvarna AB

Responsable de la documentation technique



Déclaration de conformité UE

Nous, **Husqvarna AB**, SE-561 82 Huskvarna, Suède,
tél : +46-36-146500, déclarons sous notre entière
responsabilité que le produit :

Description	Accessoire pour souffleur avec bloc d'alimentation Husqvarna 325iLK
Marque	Husqvarna
Type/Modèle	BA101
Identification	Les numéros de série à partir de 2022 et ultérieurs

est entièrement conforme à la réglementation et aux
directives de l'UE suivantes :

Réglementation	Description
2006/42/EC	« relative aux machines »
2000/14/EC	« relative aux émissions sonores dans l'environnement »
2011/65/UE	« relative à la limitation de l'utilisation de certaines substances dangereuses au sein d'équipements électriques et électroniques »

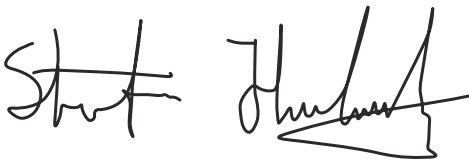
et que les normes et/ou les spécifications techniques
suivantes sont appliquées : IEC 60335-2-100, EN IEC
63000:2018.

RISE SMP Svensk Maskinprovning AB, Box 7035,
SE-750 07 Uppsala, Sweden a procédé à des examens
volontaires pour le compte de Husqvarna AB. Numéro
de certificat : SEC/15/2416 – Husqvarna BA101.

RISE SMP Svensk Maskinprovning AB, Box 7035,
SE-750 07 Uppsala, Sweden a également vérifié la
conformité avec l'annexe V de la directive du conseil
2000/14/EG. Numéro de certificat : 01/012/014.

Pour toute information relative aux émissions sonores,
voir *Caractéristiques techniques à la page 131*.

Huskvarna, 2022-05-09



Stefan Holmberg, Directeur R&D, gestion de la
technologie, Husqvarna AB

Responsable de la documentation technique



TARTALOMJEGYZÉK

Bevezető.....	136	Szállítás, tárolás és ártalmatlanítás.....	144
Biztonság.....	137	Műszaki adatok.....	145
Üzemeltetés.....	143	Megfelelőségi nyilatkozat.....	147
Karbantartás.....	144		

Bevezető

Termékleírás

Folyamatosan fejlesztjük termékeinket, ezért fenntartjuk a jogot a termékek kialakításának és megjelenésének előzetes figyelmeztetés nélküli megváltoztatására.

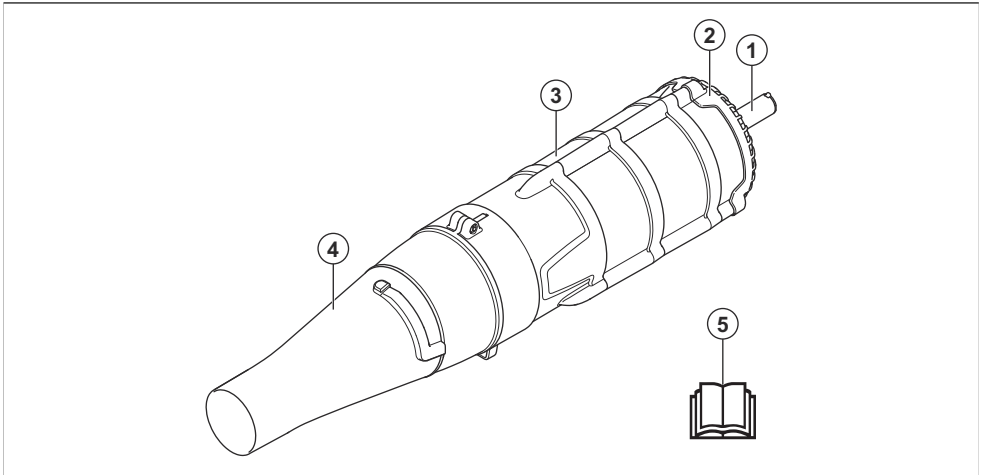
Megjegyzés: A jelen kézikönyv a benzines és az akkumulátoros tápegységekre egyaránt vonatkozik.

Rendeltetésszerű használat



FIGYELMEZTETÉS: Ez a tartozék csak

A tartozék áttekintése



1. Nyél
2. Levegőbeömlő rács
3. Ventilátorház
4. Levegőcső
5. Használati utasítás

a megadott tápegységgel együtt használható.

Tekintse meg a tápegység használati utasításában található, a tartozékokkal kapcsolatos fejezetet.

A tartozék kizárólag pázsiton, ösvényen, aszfaltúton és hasonló felületeken végzett lombfűvásra alkalmas.

A tartozék és a tápegység szimbólumai



A tartozék nem körültekintő vagy helytelen használata a kezelő vagy más személyek súlyos vagy halálos sérülését okozhatja.



Olvassa el figyelmesen a használati utasítást, és győződjön meg róla, hogy megértette azt a tartozék használatba vétele előtt.



Ez a tartozék megfelel a vonatkozó EK irányelveknek.



A termék megfelel a vonatkozó egyesült királyságbeli irányelveknek.



Használja a jóváhagyott fülvédőt, védőszemüveget, és légzésvédőt.



Használjon jóváhagyott védőkesztyűt.



Az Európai Közösség irányelvének megfelelő környezeti zajkibocsátás. A tartozék kibocsátási adatai megtalálhatók a Műszaki adatok című fejezetben és a címkén.



A lombfúvó kezelője ügyeljen arra, hogy se ember, se állat ne jöjjön 15 m-nél közelebb. Ha ugyanazon a munkaterületen többen is dolgoznak, legalább 15 méteres biztonsági távolságot kell tartani. A lombfúvó nagy erővel fújhat ki tárgyakat, melyek visszapatlanhatnak. Ez a javasolt biztonsági felszerelés használatának mellőzése esetén súlyos szem-sérülést okozhat.



A lombfúvó nagy erővel fújhat ki tárgyakat, melyek visszapatlanhatnak. Ez a javasolt biztonsági felszerelés használatának mellőzése esetén súlyos szem-sérülést okozhat.



A termék kezelőjének ügyelnie kell arra, hogy a munka során se ember, se állat ne jöjjön 15 m-nél közelebb a munkaterülethez.



A ventilátorlapát által okozott sérülés az ujjak vagy a kézfej elvesztéséhez vezethet. Ne nyissa ki vagy távolítsa el a biztonsági rácsot, illetve hálót, amíg a motor jár.

Megjegyzés: A tartozékon szereplő többi jel/címke egyes piacok specifikus vizsgáztatási követelményeire vonatkozik.

Biztonság

Biztonsági meghatározások

A figyelmeztetések, óvintézkedések és megjegyzések a használati utasítás kiemelten fontos részeire hívják fel a figyelmet.



FIGYELMEZTETÉS:

Akkor használatos, ha a kézikönyv utasításainak be nem tartása esetén fennáll a kezelő vagy a közelben

tartózkodók sérülésének vagy halálának veszélye.



VIGYÁZAT: Akkor használatos, ha a kézikönyv utasításainak be nem tartása esetén fennáll a vagyoni kár, illetve a termék és/vagy a tartozék vagy a környező területen lévő anyagok károsodásának veszélye.

Megjegyzés: További információt biztosít az adott helyzetben szükséges tennivalókról.

Általános biztonsági utasítások



FIGYELMEZTETÉS: A tartozék használata előtt olvassa el a biztonsági utasításokat.

- Olvassa el figyelmesen a használati utasítást, és győződjön meg róla, hogy megértette azt a tartozék használatba vétele előtt.
- A teljes körű felhasználói információk megértése érdekében a jelen használati

utasítást a tápegység használati utasításával együtt kell elolvasni.

- A tartozék kivitelezésén a gyártó cég engedélye nélkül semmilyen módosítást sem szabad végezni. Ne használjon olyan tartozékot, amelyet esetleg módosítottak, és mindig eredeti kiegészítőket használjon. Nem engedélyezett módosítások és/vagy pótalkatrészek komoly sérülésekhez vagy halálos balesetekhez vezethetnek.

Biztonsági utasítások az üzemeltetéshez



FIGYELMEZTETÉS:

A termék használata előtt olvassa el az alábbi figyelmeztetéseket.



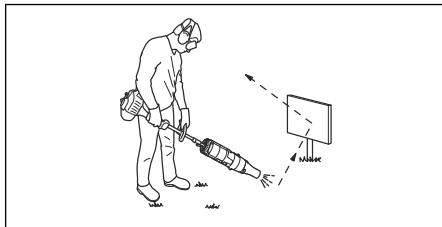
FIGYELMEZTETÉS:

A termék működés közben elektromágneses mezőt hoz létre. Ez bizonyos körülmények esetén hatással lehet az aktív vagy passzív orvosi implantátumokra. A súlyos vagy halálos sérülés kockázatának csökkentése érdekében azt javasoljuk, hogy

az orvosi implantátumot használó személyek a termék alkalmazása előtt kérjék ki orvosuk vagy az orvosi implantátum gyártójának tanácsát.

- Soha ne használja a terméket, ha fáradt, ha beteg, ha alkoholt fogyasztott, vagy ha látását, ítélőképességét vagy mozgáskoordinációját befolyásoló gyógyszert vett be.
- Soha ne használjon olyan terméket, amely hibás.
- A gép beindítása előtt az összes burkolatot és védőlemezt fel kell szerelni. Benzines termék esetén az áramütés veszélyének elkerülése érdekében győződjön meg arról, hogy a gyújtógyertya-pipa és a gyújtáskábel nem sérült.
- A lombfúvó kezelője ügyeljen arra, hogy se ember, se állat ne jöjjön 15 m-nél közelebb. Ha ugyanazon a munkaterületen többen is dolgoznak, legalább 15 méteres biztonsági távolságot kell tartani.
- Soha ne engedje, hogy a terméket gyermek használja.
- Soha ne engedje meg senkinek a termék használatát, amíg nem győződött meg arról, hogy az illető elolvasta és megértette a használati utasítás tartalmát.
- Soha ne vegye le a levegőbeömlő rácsot.
- Soha ne érintse meg a gyújtógyertyát vagy a gyújtáskábel, amikor a motor működésben van. A gyújtógyertya vagy a gyertyapipa érintése áramütést okozhat.
- Mindig lépjen kapcsolatba a helyi hatóságokkal, és győződjön meg arról, hogy betartja a vonatkozó irányelveket.
- Minden testrészét tartsa távol a forró felületektől.
- Ha munka közben elbizonytalanodik a munka folytatását illetően, kérje szakember tanácsát. Forduljon kereskedőhöz vagy márkaszervizhez. Ne használja a gépet olyan feladatok elvégzésére, amelyekhez úgy véli, nem rendelkezik elegendő szakértelemmel.

- A lombfúvó nyílását a lehető legközelebb tartsa a talajhoz. A fúvócső teljes hosszát használja fel, hogy a légáram a talaj közelében maradjon.
- A közelben élők szükségtelen megzavarásának elkerülése érdekében csak munkaidőben használja a gépet. Ne dolgozzon vele korán reggel vagy késő este.
- Ügyeljen a környezetére. Ha valaki megközelíti a munkaterületet, engedje fel a gázadagoló/ kapcsológombot, amíg az illető biztonságos távolságba nem kerül. A lombfúvót soha ne irányítsa emberek, állatok, játékterületek, nyitott ablakok, autók és hasonlók felé. A légfúvás erejénél fogva a kavicsok, szennyeződések, fadarabok elrepülhetnek vagy visszapattanhatnak, ami emberek és állatok sérülését, üvegtörést, vagy egyéb károkat okozhat.
- A forgó lapátkeréktől származó súlyos sérülések elkerülése érdekében soha ne dugja be a kezét és ne tegyen semmilyen tárgyat a fúvótoldalék készülékébe.
- Tartsa a külső felületeket olajtól és üzemyangtól mentesen.
- Soha ne használja vegyszer, műtrágya vagy más, mérgező anyagot tartalmazó vegyületek kiszórásához.
- A tűz elterjedésének megelőzése érdekében ne használja avar- vagy bozóttűz, tűzrakó hely, kerti sütő alkalmasosságok, hamutartók stb. közelében.
- A toldalékot soha ne öntse vagy fröcskölje le vízzel vagy más folyadékkal.
- Mindig két kézzel tartsa a gépet. Tartsa a gépet az oldala mellett.
- Benzines termék használata esetén tankolás előtt mindig hagyja lehűlni a motort.
- Az erős légáram úgy felgyorsíthatja a tárgyakat, hogy azok visszapattanva súlyos szemsérülést okozhatnak.



- Mielőtt tartozékot vagy egyéb alkatrészt szerelne fel vagy le, állítsa le a motort.
- Ne használja a terméket rossz időjárási körülmények között, például sűrű ködben, erős esőben, erős szélben,

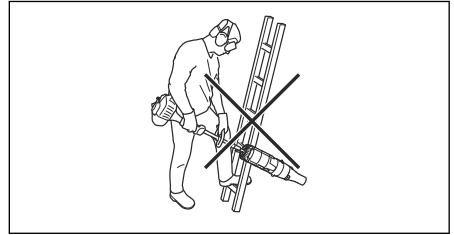
rendkívüli hidegben stb.
A rossz időben való munkavégzés fárasztó, és veszélyes körülményeket, például csúszós felületeket eredményezhet.

- Gondoskodjon arról, hogy biztonságosan tudjon járni és állni. Nézzon körül és ellenőrizze lehetséges akadályok (például gyökerek, kövek, gödrök, árkok, stb.) jelenlétét, arra az esetre, ha hirtelen el kellene mozdulnia. Járjon el nagyon óvatosan, amikor lejtős talajon dolgozik.



- Járó motorral soha ne tegye le a terméket, hacsak nem tudja szemmel tartani azt.
- Benzines termék használata esetén a kipufogógázok szén-monoxidot tartalmaznak, ami szén-monoxid-mérgezést okozhat. Ezért a terméket zárt vagy rosszul szellőztetett helyen tilos elindítani vagy járni.
- Létrán, állványzaton vagy magas helyen (pl. tetőn) tilos használni a lombfúvót. Ez

a munka súlyos sérüléshez vezethet.



- Ne használja a terméket olyan körülmények között, amelyeknél baleset esetén nem lenne lehetősége segítséget hívni.
- Soha ne tegyen semmilyen tárgyat a légbeszívó nyílásba, mivel az gátolhatja a megfelelő légáramlást és tönkretelheti a gépet.
- Ügyeljen rá, hogy a termék ne érjen semmilyen kerítéshez, fához, vagy egyéb kemény anyaghoz. Ellenkező esetben a gép megsérülhet, valamint személyi sérülés is keletkezhet.
- Amikor fülvédőt visel, mindig figyeljen a figyelmeztető jelzésekre és hangokra. A motor leállítása után azonnal vegye le a fülvédőket.

Személyi védőfelszerelés

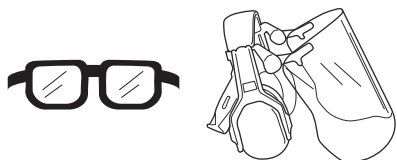


FIGYELMEZTETÉS:

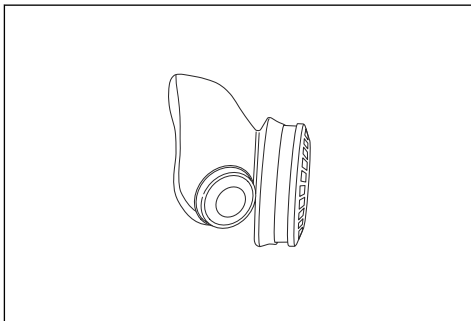
A termék használata előtt

olvassa el az alábbi figyelmeztetéseket.

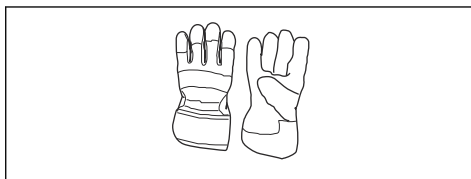
- A termék használata során viseljen jóváhagyott személyi védőfelszerelést. A személyi védőfelszerelés nem küszöböli ki teljes mértékben a sérülés kockázatát, de csökkenti a sérülés mértékét, ha bekövetkezik a baleset. A megfelelő felszerelés kiválasztásában kérje a kereskedő segítségét.
- Használjon elegendő hangtompító hatással rendelkező, jóváhagyott fülvédőt. Hosszú távon a tartós zajártalom maradandó halláskárosodást okozhat.
- Használjon jóváhagyott védőszemüveget. Ha arcvédőt használ, jóváhagyott védőszemüveget is kell viselnie. Jóváhagyott védőszemüvegek azok, amelyek megfelelnek az ANSI Z87.1 (USA) illetve EN 166 (EU-országok) szabványoknak.



- Por veszélye esetén viseljen légzésvédőt.



- Ha szükséges, viseljen kesztyűt – például a berendezés felhelyezésekor, ellenőrzésekor vagy tisztításakor.



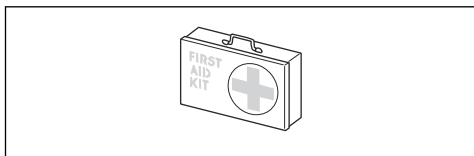
- Viseljen stabil, csúszásgátló talppal ellátott csizmát vagy cipőt.



- Viseljen sűrű szövésű anyagból készült ruházatot. Vastag, hosszú nadrágot és hosszú ujjú felsőrészt viseljen. Ne viseljen

bő ruházatot, mert az beakadhat a gallyakba és a bokrok ágaiba. Ne viseljen ékszereket, rövidnadrágot, szandált, illetve ne legyen mezítláb. Igazítsa haját vállmagasság fölé.

- Tartson elsősegélykészletet a közelben.



Biztonsági utasítások a karbantartáshoz



FIGYELMEZTETÉS:

A termék használata előtt olvassa el az alábbi figyelmeztetéseket.

Használat előtt végezzen általános ellenőrzést a terméken. Lásd a karbantartási ütemezést.

Végezze el a jelen használati utasításban előírt karbantartási és szervizműveleteket. Bizonyos karbantartási és szervizmunkákat szakembernek kell végrehajtania. Lásd a Karbantartás című fejezetben leírtakat.

A munkamegkezdése előtt mindig ellenőrizze, nem blokkolja-e valami a levegőbeömlő rácsot.

A termék zuhanásából adódó károk elkerüléséhez az össze- és szétszerelést közel a talajhoz végezze.

Üzemeltetés

A tartozék használata

Megjegyzés: Legyen tekintettel a közelben lakókra, ne használja a gépet alkalmatlan időpontban, például késő este vagy korán reggel. Csökkentse a zajszintet az egy időben használt berendezések számának korlátozásával. Olvassa el és tartsa be az alábbi egyszerű tanácsokat, hogy minél kevésbé zavarja környezetét.

1. A talajra tapadt szemetet gereblyével vagy kefével lazítsa meg.
2. Sarkok takarításánál a sarokban kezdje a fűjást, és kifelé haladjon. Így megelőzi, hogy összegyűljön a hulladék, ami az arcába repülhet.
3. Mindig a lehető legkisebb gázzal/sebességgel üzemeltesse a lombfúvót. Teljes gázra/sebességre ritkán van szükség, a legtöbb munka félgázon/sebességen is elvégezhető. Kisebb gáz/sebesség használata kisebb zajjal és kevesebb porral jár, és az összegyűjtött vagy mozgatott szemét is jobban kezelhető így.
4. Minimalizálja a fúvási időt a poros területek enyhe benedvesítésével vagy permetezőberendezéssel.
5. Csökkentse a vízfelhasználást úgy, hogy a pázsit és kert körüli különféle alkalmazásokban víztömlő helyett légkompresszort használ, például a rácsok, grill, árnyékoló, veranda stb. tisztításához.
6. Növények közelében körültekintően dolgozzon. A légáramlás ereje megsértheti a gyenge növényeket.
7. A légáram sebessége a gázadagoló/kapcsológomb segítségével szabályozható. Mindig az adott munkához legmegfelelőbb sebességet válassza.
8. Ügyeljen a szélirányra. Könnyítse meg a munkát a szél kihasználásával.

9. A nagy halmok mozgatása a lombfúvóval túlzottan időigényes, és fölösleges zajjal jár.
10. Tartsa meg egyensúlyát, és álljon szilárdan.
11. Hagyjon teret a cső és a talaj között, valamint kerülje a talajjal való érintkezést a termékkel való munka közben.

12. Takarítson össze maga után. Győződjön meg róla, hogy ne fújt szemetet másnak a kertjébe. A hulladékot helyezze hulladékgyűjtőbe.
13. A terméket a munka befejezése után vízszintes helyzetben kell tárolni.

Karbantartás

Bevezető

Alább néhány általános karbantartási utasítást talál. További információért forduljon az illetékes szakszervízhez.

A tartozék napi karbantartása



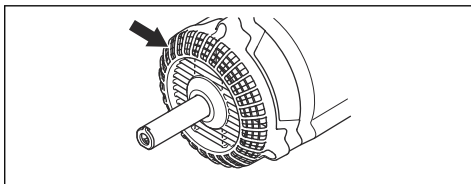
FIGYELMEZTETÉS:

A tisztítás vagy a tartozékon végzett munkálatok megkezdése előtt mindig állítsa le a motort. Amennyiben benzines termékkel dolgozik, válassza le a gyújtáskábel a gyújtógyertyáról. Amennyiben a termék akkumulátoros, távolítsa el az akkumulátort.

1. Tisztítsa meg a lombfúvó külső felületeit.
2. Az egész házon ellenőrizze, hogy nincsenek-e rajta repedések.
3. Ellenőrizze, hogy a termék teljes mértékben működőképes állapotban van-e.
4. Ellenőrizze, hogy az anyák és csavarok szorosan meg vannak-e húzva.
5. A készüléket enyhe hatású tisztítószerrel megnedvesített kendővel tisztítsa.

A levegőbeömlő rács ellenőrzése

1. Ellenőrizze, nem blokkolja-e valami (pl. levelek vagy szemét) a levegőbeömlő nyílást valamelyik oldalon, a berendezés alját is beleértve. A levegőbeömlő nyílás eltömődése esetén csökken a termék teljesítménye, és megemelkedik a motor működési hőmérséklete, ami a motor meghibásodásához vezethet. Állítsa le a motort, és szüntesse meg az eltömődést.



FIGYELMEZTETÉS: Minden testrészét tartsa távol a forró felületektől.

Szállítás, tárolás és ártalmatlanítás

Szállítás és tárolás

Minden használat előtt végezze el a következő műveleteket:

- Szállítás vagy tárolás előtt hagyja kihűlni a toldalékot.
- Magas, hűvös, száraz, beltéri helyen, gyermekektől elzárva tárolja.

Idényjellegű tárolás

Az idény végén, illetve ha legalább 30 napig nem fogja használni, készítse fel a tartozékot a tárolásra. Ha a fúvótoldalékot egy időre el kívánja tenni:

- Tisztítsa meg az egységet.
- Ellenőrizze, nincsenek-e a toldalékon sérült vagy laza alkatrészek. Húzza meg a kilazult csavarokat.
- Minden sérült, kopott vagy törött alkatrészt cseréljen ki.

- A következő idény kezdetén csak friss és a megfelelő benzin-olaj arány betartásával kevert üzemanyagot használjon.

Műszaki adatok

A benzines termékekre vonatkozó műszaki adatok

BA101	
Tömeg	
Tömeg, kg	1,9
Zajkibocsátás	
Hangteljesítményszint, mért dB (A) érték	109
Hangteljesítményszint, garantált , L_{WA} dB (A)	112
Zajszintek ⁷¹	
A kezelő hallószervére gyakorolt, EN15503 szerint mért hangnyomásszint, dB(A)	99
Rezgésszintek ⁷²	
Az EN 15503 szerint mért ekvivalens rezgésszintek ($a_{hv,eq}$) a fogantyún, m/s^2	
Első/hátsó fogantyú:	5,6/8,3
Ventilátor teljesítménye ⁷³	
Max. levegősebesség normál fűvókával, m/s:	66
Légáram normál fűvókával, $m^3/perc$	15

Az akkumulátoros termékekre vonatkozó műszaki adatok

325iLK + Blower attachment BA101	
Tömeg	
Tömeg, kg	2,3+1,9
Zajkibocsátás ⁷⁴	
Hangteljesítményszint, mért dB (A) érték	103

⁷¹ Az ekvivalens zajnyomásszint értékét 1/7 rész alapjáratú és 6/7 rész teljes fordulatszámon való működésből álló munkaciklus alapján számítják ki. A gép ekvivalens hangnyomásszintjére vonatkozó jelentési adatok az 1 dB (A) tipikus statisztikus ingadozásával (szórásával) rendelkeznek.

⁷² Az ekvivalens rezgésszint értékét 1/7 rész alapjáratú és 6/7 rész teljes fordulatszámon való működésből álló munkaciklus alapján számítják ki. Az ekvivalens rezgésszintre vonatkozó jelentési adatok az 1 m/s^2 tipikus statisztikus ingadozásával (szórásával) rendelkeznek.

⁷³ Az 525LK/GC2225C motortesttel együtt.

⁷⁴ A környezetben a 2000/14/EK sz. EK irányelvvel összhangban hangteljesítményként mért zajkibocsátás (L_{WA}). A gép jelentésben szereplő hangteljesítményszintjét a legmagasabb szintet produkáló eredeti vágófel-szereléssel mérték. A garantált és a mért hangteljesítmény közötti különbségnek az az oka, hogy a garantált hangteljesítmény tartalmazza a mérési eredményben lévő ingadozást és az azonos modellű gépek közti eltéréseket is a 2000/14/EK jelű irányelv értelmében.

325iLK + Blower attachment BA101	
Hangteljesítményszint, garantált , L _{WA} dB (A)	106
Zajszintek ⁷⁵	
A kezelő hallószervére gyakorolt, ISO 26868 szerint mért hangnyomásszint, dB (A)	
Jóváhagyott tartozékokkal ellátva (eredeti), dB (A)	93
Rezgésszintek ⁷⁶	
Az EN 62841-1 szerint mért rezgésszintek a fogantyúban, m/s ²	
Jóváhagyott tartozékokkal ellátva (eredeti), bal/jobb, m/s	1,6/1,1
Ventilátor teljesítménye ⁷⁷	
Légáram normál üzemmódban, normál fúvókával, m ³ /perc	14
Maximális légsebesség normál üzemmódban, normál fúvókával, m/s:	52

⁷⁵ A gép hangnyomásszintjére vonatkozó jelentési adatok a 3 dB (A) tipikus statisztikus ingadozásával (szórásával) rendelkeznek. A hangnyomásszint mérése a legmagasabb szintet produkáló eredeti felszereléssel történt. A 325iLK motoregységgel együtt mérve.

⁷⁶ A rezgésszintre vonatkozó jelentési adatok az 2 m/s² tipikus statisztikus ingadozásával (szórásával) rendelkeznek. A rezgésszintek, valamint az akkumulátorral, illetve az üzemanyaggal működő termékek összehasonlításához használja a rezgésterhelési kalkulátort. Lásd: <https://www.husqvarna.com/uk/services-solutions/vibration-calculator/>. A 325iLK motoregységgel együtt mérve.

⁷⁷ A 325iLK motoregységgel együtt mérve.

Megfelelőségi nyilatkozat

EU megfelelési nyilatkozat

A **Husqvarna AB**, SE-561 82 Huskvarna, Sweden (tel.: +46-36-146500), a saját felelősségére kijelenti, hogy a termék:

Leírás	Fűvótoldalék
Márka	Husqvarna
Típus/modell	BA101
Megjelölés	2022-as és újabb sorozatszámok

teljes mértékben megfelelnek a következő EU-irányelveknek és szabályozásoknak:

Szabályozás	Leírás
2006/42/EK	„gépre vonatkozó”
2000/14/EK	„környezeti zajkibocsátásra vonatkozó”
2011/65/EU	„az egyes veszélyes anyagok elektromos és elektronikus berendezésekben való alkalmazásának korlátozására vonatkozó”

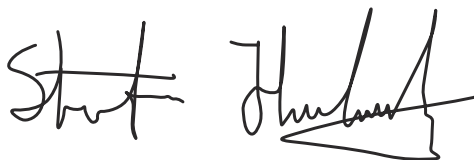
valamint hogy az alábbi szabványok és/vagy műszaki előírások kerültek alkalmazásra: EN15503:2009+A2:2015, EN ISO 12100:2021, EN IEC 63000:2018.

A RISE SMP Svensk Maskinprovning AB, Box 7035, SE-750 07 Uppsala, Sweden önkéntes típusbevizsgálást végzett a Husqvarna AB nevében.

Tanúsítvány száma: SEC/15/2416 – Husqvarna BA101.

A zajkibocsátásra vonatkozó tájékoztatást illetően tekintse át a következőt: *Műszaki adatok 145. oldalon.*

Huskvarna, 2022-05-09



Stefan Holmberg, K+F igazgató, Technológiai menedzsment, Husqvarna AB

A műszaki dokumentációk felelőse



EU megfelelési nyilatkozat

A **Husqvarna AB**, SE-561 82 Huskvarna, Sweden (tel.: +46-36-146500), a saját felelősségére kijelenti, hogy a termék:

Leírás	Fűvótoldalék Husqvarna 325iLK tápegységgel
Márka	Husqvarna
Típus/modell	BA101
Megjelölés	2022-as és újabb sorozatszámok

teljes mértékben megfelelnek a következő EU-irányelveknek és szabályozásoknak:

Szabályozás	Leírás
2006/42/EK	„gépre vonatkozó”
2000/14/EK	„környezeti zajkibocsátásra vonatkozó”
2011/65/EU	„az egyes veszélyes anyagok elektromos és elektronikus berendezésekben való alkalmazásának korlátozására vonatkozó”

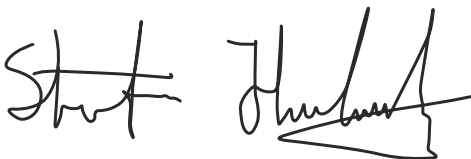
valamint hogy az alábbi szabványok és/vagy műszaki előírások kerültek alkalmazásra: IEC 60335-2-100, EN IEC 63000:2018.

A RISE SMP Svensk Maskinprovning AB, Box 7035, SE-750 07 Uppsala, Sweden önkéntes típusbevizsgálást végzett a Husqvarna AB nevében. Tanúsítvány száma: SEC/15/2416 – Husqvarna BA101.

A RISE SMP Svensk Maskinprovning AB, Box 7035, SE-750 07 Uppsala, Sweden a tanács 2000/14/EK irányelve V. függelékének való megfelelést is igazolta. Tanúsítvány száma: 01/012/014.

A zajkibocsátásra vonatkozó tájékoztatást illetően tekintse át a következőt: *Műszaki adatok 145. oldalon.*

Huskvarna, 2022-05-09



Stefan Holmberg, K+F igazgató, Technológiai menedzsment, Husqvarna AB

A műszaki dokumentációk felelőse



TURINYS

Įvadas.....	149	Transportavimas, saugojimas ir utilizavimas.....	157
Sauga.....	150	Techniniai duomenys.....	157
Naudojimas.....	156	Atitikties deklaracija.....	159
Techninė priežiūra.....	156		


Įvadas

Gaminio aprašas

Mes nuolat siekiame tobulinti savo gaminius, pasilikdami sau teisę keisti jų formą ir išvaizdą be išankstinio pranešimo.

Pasižymėkite: Šiame vadove apžvelgiami tiek benzininis, tiek akumuliatorinis gaminys.

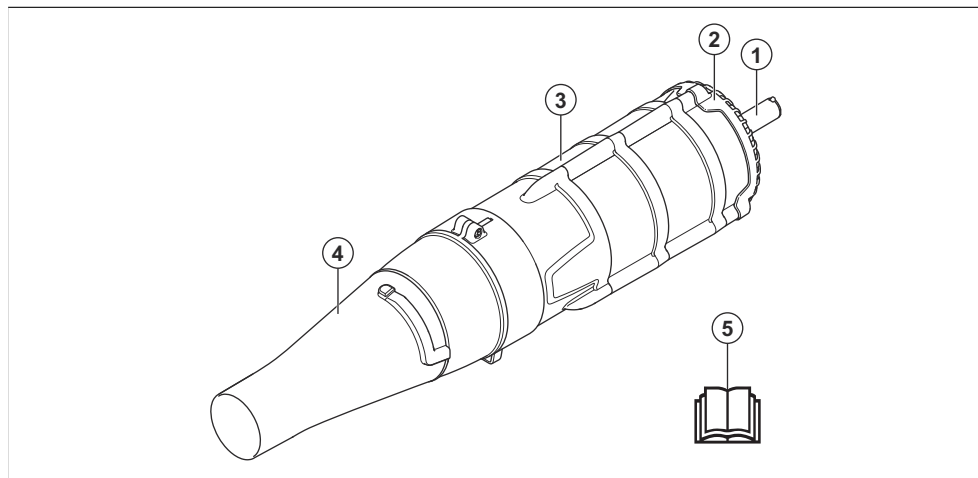
Naudojimas

 **PERSPĖJIMAS:** Šis priedas gali būti naudojamas tik

Priedo apžvalga.

su numatytu maitinimo bloku. Žr. maitinimo bloko naudojimo instrukcijos priedų skyrių.

Priedas skirtas tik vejoms, takams, asfaltuotiems keliams ir pan. valyti.



1. Velenas
2. Oro įsiurbimo grotelės
3. Ventilatoriaus korpusas
4. Oro antgalis
5. Operatoriaus vadovas

Simboliai ant įtaiso ir maitinimo bloko



Aplaidžiai ar netinkamai naudojant šį priedą gali būti sunkiai ar net mirtinai sužeistas naudotojas ar kiti žmonės.



Prieš naudodami priedą atidžiai perskaitykite naudojimo instrukciją ir įsitinkinkite, ar viską gerai supratote.



Šis įtaisas atitinka jam taikomas EB direktyvas.

Šis gaminytis atitinka taikytinų JK reglamentų nuostatas.



Naudokite patvirtintas apsaugines ausines, akių ir kvėpavimo apsaugos priemones.



Naudokite patvirtintas apsaugines pirštines.



Į aplinką skleidžiamas triukšmas atitinka Europos Bendrijos direktyvą. Priedo skleidžiamo triukšmo duomenys nurodyti techninių duomenų skyriuje ir ant etiketės.



Pūstuvo naudotojas turi stebėti, kad nei žmonės, nei gyvūnai neprisiartintų arčiau kaip 15 metrų atstumu. Jeigu toje pačioje vietoje dirba keli naudotojai, tarp jų reikia išlaikyti ne mažesnę kaip 15 metrų atstumą. Pūstuvo nupučiami daiktai gali atšokti atgal ir sunkiai sužaloti akis, jeigu nenaudojate rekomenduojamos saugos įrangos.



Pūstuvo nupučiami daiktai gali atšokti atgal ir sunkiai sužaloti akis, jeigu nenaudojate rekomenduojamos saugos įrangos.



Produkto operatorius dirbdamas turi užtikrinti, kad kiti žmonės ar gyvuliai neprieitų arčiau nei 15 metrų atstumu.



Ventiliatoriaus mentės gali nupjauti pirštus ar delnus. Neatidarinkite ir nenuimkite apsaugų ar tinklų veikiant varikliui.

Pasižymėkite: Kiti ant priedo pateikti simboliai (lipdukai) skirti specialiems kai kurių rinkų sertifikavimo reikalavimams.

Sauga

Saugos ženklų reikšmės

Įspėjimai, perspėjimai ir pastabos yra skirtos atkreipti dėmesį į ypač svarbias naudotojo instrukcijos dalis.



PERSPĖJIMAS:

Naudojamas, kai naudotojui ar šalia esantiems asmenims kyla mirtino arba sunkaus sužeidimo pavojus arba, jei nesilaikoma naudotojo

instrukcijoje pateiktų nurodymų.



PASTABA: Naudojamas, kai kyla pavojus sugadinti gaminį ir (arba) priedą, kitas medžiagas arba padaryti žalą aplinkai, jei nesilaikoma naudotojo instrukcijoje pateiktų nurodymų.

Pasižymėkite: Naudojama pateikti daugiau, nei būtina esamoje situacijoje, informacijos.

Bendrieji saugos nurodymai



PERSPĖJIMAS: Prieš naudodami priedą, perskaitykite toliau esančius saugos nurodymus.

- Prieš naudodami priedą atidžiai perskaitykite naudojimo instrukciją ir įsitikinkite, ar viską gerai supratote.
- Ši naudojimo instrukcija turi būti perskaityta kartu su maitinimo bloko naudojimo instrukcija išsamiai naudotojo informacijai gauti.
- Be gamintojo leidimo jokių atveju negalima keisti originalios priedo konstrukcijos. Nenaudokite priedo, kurį galėjo modifikuoti kiti asmenys ir naudokite tik originalius priedus. Nesuderinti konstrukcijos pakeitimai bei nepritaikytos detalės gali sukelti rimtus kūno sužalojimus ir net mirtį.

Naudojimo saugos instrukcijos



PERSPĖJIMAS: Prieš naudodami gaminį, perskaitykite toliau esančius įspėjimus.



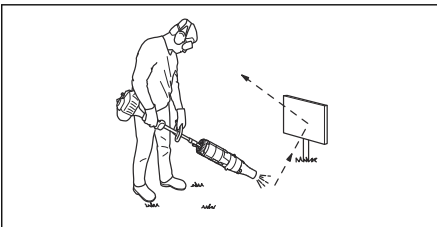
PERSPĖJIMAS: Šis gaminys veikdamas sukuria elektromagnetinį lauką. Tam tikromis aplinkybėmis šis laukas gali trikdyti aktyviųjų arba pasyviųjų medicininių implantų veiklą. Kad sumažėtų sunkaus ar netgi mirtino sužeidimo pavojus, medicininių implantų turintiems asmenims rekomenduojame prieš naudojant šį gaminį pasitarti su gydytoju ir implanto gamintoju.

- Gaminį draudžiama naudoti pavargus, susirgus, pavartojus alkoholio ar išgėrus vaistų, galinčių pabloginti regėjimą, sąmoningumą ar koordinaciją.
- Niekada nenaudokite techniškai netvarkingo gaminio.
- Prieš užvedant įrenginį visi gaubtai ir apsaugos

privalo būti pritvirtinti. Jei naudojate benzinu varomą gaminį, patikrinkite, ar nepažeistas uždegimo žvakės dangtelis ir uždegimo laidas, kad išvengtumėte elektros smūgio.

- Pūstuvo naudotojas turi stebėti, kad nei žmonės, nei gyvūnai nepriartintų arčiau kaip 15 metrų atstumu. Jeigu toje pačioje vietoje dirba keli naudotojai, tarp jų reikia išlaikyti ne mažesnę kaip 15 metrų atstumą.
- Niekada neleiskite vaikams naudotis gaminiu.
- Niekuomet niekam neleiskite naudoti gaminio prieš tai neišsitikinę, kad jie perskaitė ir suprato naudojimo instrukcijoje pateiktus nurodymus.
- Niekada nenuimkite oro įsiurbimo grotelių.
- Niekada nelieskite uždegimo žvakės ar uždegimo kabelio, kai variklis dirba. Palietus degimo žvakę arba žvakę, galima patirti elektros smūgį.
- Visada susisieki su vietos valdžios įstaigomis pasitikrinti, ar laikotės galiojančių reikalavimų.
- Jokia kūno dalimi nesilieskite prie įkaitusių paviršių.
- Jei tam tikroje situacijoje nežinosite kaip pasielgti, teiraukitės specialisto. Kreipkitės į pardavėją ar aptarnavimo dirbtuves. Nedirbkite darbo, kurio nemokate ar jaučiatės nepakankamai kvalifikuotas.
- Pūstuvo angą laikykite kiek galima arčiau žemės. Išnaudokite visą pūstuvo vamzdžio ilgį, kad oro srautas judėtų pažeme.
- Naudokite mašiną normaliomis darbo valandomis, kad be reikalo netrikdytumėte ramybės. Venkite dirbti anksti iš ryto arba vėlai vakare.
- Stebėkite aplinką. Jeigu kas nors artinasi prie jūsų darbo zonos, atleiskite akceleratorių / maitinimo jungiklį, kol asmuo nutols per saugų atstumą. Pūstuva nukreipkite nuo žmonių, gyvūnų, žaidimų aikštelių, atidarytų langų, automobilių ir pan. Oro srauto jėga gali sviesti akmenis, nešvarumus ar pagalius arba jie gali atšokti ir sužeisti žmones ar gyvūnus, sudaužyti stiklą arba padaryti kitokios žalos.
- Tam, kad besisukanti sparnuotė jūsų rimtai nesužeistų, niekada rankų ar

- daiktų nekiškite į pūstuvo korpusą.
- Žiūrėkite, kad ant paviršiaus nepatektų alyvos ir degalų.
- Niekada nenaudokite cheminėms medžiagoms, trašoms ar kitoms medžiagoms, galinčioms turėti nuodingų medžiagų, paskleisti.
- Nenaudokite arti lapų laužo ar miško gaisro, židinių, kepimo duobių, peleninių ir pan., kad neišplistų ugnis.
- Šio priedo niekada nenardinkite ir neapliekite vandeniu ar kitu skysčiu.
- Mašiną visada laikykite abiem rankomis. Įrenginį laikykite prie kūno.
- Jeį naudojate benzinu varomą gaminį, prieš pildami benzina palikite variklį atvėsti.
- Stiprios oro srovės gali pakelti daiktus tokiu greičiu, kad jie gali atšokti atgal ir sunkiai sužaloti akis.



- Prieš montuodami ar nuimdami priedus ar kitas dalis išjunkite variklį.

- Nenaudokite gaminio prastomis oro sąlygomis, pavyzdžiui, tirštame rūke, stipriai lyjant, pučiant stipriam vėjui, stipriai šąlant ir pan. Darbas blogomis oro sąlygomis vargina ir gali susidaryti pavojingos darbo sąlygos, pavyzdžiui, slidūs paviršiai.
- Įsitinkinkite, kad galite laisvai stovėti ir judėti. Apžiūrėkite, ar jūsų darbo vietoje nėra kliūčių, pavyzdžiui, išsikišusių medžių šaknų, akmenų, šakų, griovių, jei kartais tektų greitai pasitraukti. Labai atsargiai dirbkite ant stačių šlaitų.



- Neišjungę variklio niekada nedėkite gaminio ant žemės, jei jo nematote.
- Jeį naudojate benzinu varomą gaminį, variklio išmetamosiose dujose yra anglies monoksido, kuriuo galima apsinuodyti. Dėl to niekada nepaleiskite šio gaminio ir juo nedirbkite uždaroje ar blogai vėdinamose patalpose.

- Pūstuvu negalima naudoti užsilipus ant kopėčių ar pastolių arba aukštai esančiose vietose (pvz., ant stogų). Tokiu būdu galima smarkiai sužeisti.



- Niekada nenaudokite gaminio, jei nelaimės atveju nebūtų kaip iškviešti pagalbą.
- Į oro įsiurbimo angas nedėkite jokių daiktų, nes jie gali riboti reikiamą oro srautą ir apgadinti prietaisą.
- Pasirūpinkite, kad gaminys neatsitrenktų į tvorą, medį ar kitokius kietus daiktus. Dėl to įrenginys gali sugesti ir sunkiai sužaloti žmones.
- Jeigu dėvite apsaugines ausines, būkite atidūs, kad išgirstumėte galimus įspėjamuosius signalus ar šūksnius. Išjungę variklį visada nusiimkite apsaugines ausines.

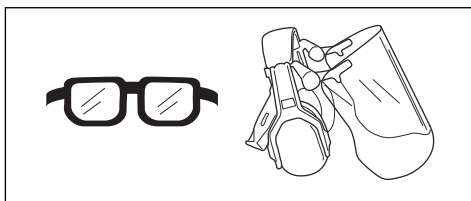
Asmeninės apsauginės priemonės



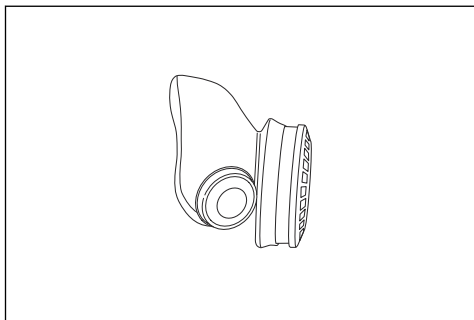
PERSPĖJIMAS: Prieš imdamiesi naudoti gaminį perskaitykite toliau

nurodytus įspėjamuosius nurodymus.

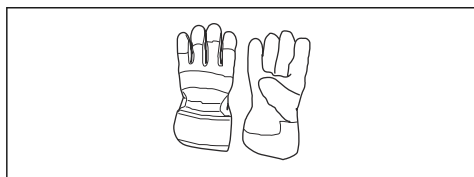
- Naudodami įrenginį būtinai dėvėkite patvirtintas asmenines apsaugines priemones. Asmeninės apsauginės priemonės nepadės visiškai išvengti pavojaus susižeisti, tačiau nelaimingo atsitikimo atveju mažiau nukentėsite. Leiskite prekybos atstovui padėti pasirinkti tinkamą įrangą.
- Naudokite pakankamomis garso slopinimo savybėmis pasižyminčias patvirtintas apsaugines ausines. Ilgalais triukšmo poveikis gali nesugražinamai pakenkti klausai.
- Naudokite patvirtintas akių apsaugos priemones. Jei naudojamas apsauginis skydelis, turi būti nešiojami ir patvirtinti apsauginiai akiniai. Patvirtinti apsauginiai akiniai yra tie, kurie atitinka JAV ANSI Z87.1 standartą arba ES EN 166 standartą.



- Jei kyla dulkių pavojus, naudokite kvėpavimo apsaugą.



- Kai būtina, pvz., montuojant, apžiūrint arba valant įrangą, užsimaukite pirštines.



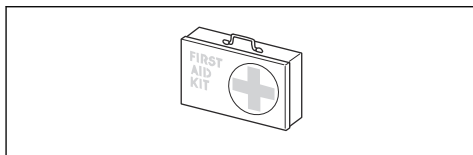
- Naudokite tvirtus, neslystančius aulinius batus ar pusbačius.



- Vilkėkite iš stiprios medžiagos pagamintus drabužius. Būtinai mėvėkite tvirtas, ilgas kelnes, vilkėkite aprangą ilgomis rankovėmis. Nevilkėkite laisvų drabužių, kurie gali užkibti už

krūmokšnių ir šakų. Nenešiotkite papuošalų, trumpų kelnių ar atvirų batų ir nevaikščiokite basomis. Saugiai susisėkite plaukus aukščiau pečių.

- Netoliese turi būti pirmosios pagalbos vaistinėlė.



Priežiūros saugos instrukcijos



PERSPĖJIMAS: Prieš naudodami gaminį perskaitykite toliau esančius įspėjimus.

Prieš naudodamiesi gaminiu atlikite bendrinę apžiūrą. Žr. techninės priežiūros grafiką.

Atlikite įrenginio techninę priežiūrą, kaip nurodyta šioje naudojimo instrukcijoje. Kai kuriuos techninės priežiūros darbus gali atlikti tik apmokyti ir kvalifikuoti specialistai. Žiūrėkite nurodymus, pateikiamus skyriuje „Techninė priežiūra“.

Prieš darbo pradžią visada patikrinkite, ar neužsikimšę oro įsiurbimo grotelės.

Kad išvengtumėte žalos nukritus produktui, montuoti ir

ardyti reikia kuo arčiau žemės paviršiaus.

Naudojimas

Priedo naudojimas

Pasižymėkite: Atsižvelkite į savo kaimynus ir nenaudokite pūstuvo netinkamu laiku, pvz., vėlai vakare ar anksti ryte. Norėdami sumažinti triukšmo lygį, vienu metu naudokite mažiau įrenginių. Perskaitykite ir laikykitės paprastų nurodymų, kaip mažiausiai trikdyti aplinkinių ramybę.

1. Prie žemės prilipusias šiukšles pakelkite grėbliu ar šepėčiu.
2. Kampus valykite pradėdami valyti kampe ir judėdami link išorės. Taip nesusikaups nešvarumų, kurie galėtų lėkti jums į veidą
3. Naudokite kuo mažesnę pūstuvo galią / greitį. Paprastai nebūtina naudoti gaminio didžiausiomis apsucomis / didžiausiu greičiu, nes daugumą darbų galima atlikti naudojant tik pusę jo galios / greičio. Naudodami gaminį mažesnėmis apsucomis / mažesniu greičiu sukeliate mažiau triukšmo ir dulkių, taip pat paprasčiau valdyti surenkamas ar pučiamas šiukšles.
4. Norėdami kuo labiau sumažinti šiam darbui skirtą laiką, šiek tiek sudrėkinkite ar apipurškite purkštuvu dulketas zonas.

5. Tvarkydamiesi sode galite sumažinti vandens sunaudojimą, jeigu vietoje vandens žarnų įvairiems darbams (grotelėms, sietams, prieangiams ir pan. valyti) naudosite pūstuvus.
6. Dirbdami arti augalų, būkite atsargūs. Oro srauto jėga gali pažeisti silpnus augalus.
7. Oro srauto greitis reguliuojamas akceleratoriumi / maitinimo jungikliu. Kiekvienam darbui pasirinkite tinkamiausią greitį.
8. Atkreipkite dėmesį į vėjo kryptį. Dirbkite pavėjui ir darbas palengvės.
9. Pūstuvu stumdyti dideles lapų šūsnis užima daug laiko ir keliamas nereikalingas triukšmas.
10. Tvirtai laikykite pusiausvyrą ir tvirtai remkitės į žemę kojomis.
11. Išlaikykite atstumą tarp vamzdžio ir žemės, kad nepaliestumėte žemės gaminiu.
12. Pabaigę išvalykite. Nenupūskite šiukšlių į kieno nors sodą. Pašalinkite liekanas iš šiukšlių talpyklos.
13. Baigus darbą, gaminį reikia laikyti horizontalioje padėtyje.

Techninė priežiūra

Įvadas

Toliau pateikiamos bendros priežiūros instrukcijos. Jei reikia daugiau informacijos, prašome kreiptis į techninio aptarnavimo dirbtuves.

Kasdienė priedo techninė priežiūra



PERSPĖJIMAS: Visada išjunkite variklį prieš valydami priedą ar atlikdami jo techninę priežiūrą. Jei turite benzinu varomą gaminį, nuo uždegimo žvakės atjunkite uždegimo kabelį. Jei turite

akumuliatoriumi varomą gaminį, išimkite akumuliatorių.

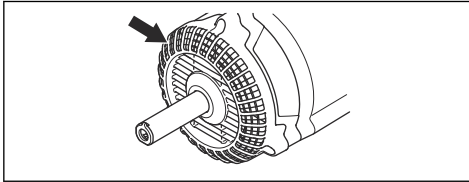


PERSPĖJIMAS: Jokia kūno dalimi nesilieskite prie įkaitusių paviršių.

1. Nuvalykite išorinį pūstuvo paviršių.
2. Įsitikinkite, kad visuose gaubtuose nėra įtrūkimų.
3. Įsitikinkite, kad gaminys veikia tinkamai.
4. Patikrinkite, ar veržlės ir varžtai priveržti.
5. Lipdukus valykite silpnu valikliu suvilgyta šluoste.

Oro įsiurbimo grotelių patikra

1. Patikrinkite, ar oro įsiurbimo anga neužkimšta, pvz., lapais ar šiukšlėmis, nei iš vienos pusės, įskaitant ir apačią. Užkimšta oro įsiurbimo anga sumažina gaminio pūtimo galią ir padidina darbinę variklio temperatūrą, todėl variklis gali sugesti. Išjunkite variklį ir pašalinkite kliūtį.



Transportavimas, saugojimas ir utilizavimas

Pervežimas ir laikymas

Po kiekvieno darbo etapo vykdykite šiuos nurodymus:

- Prieš saugojimą arba transportavimą, leiskite priedui atvėsti.
- Įrenginį laikykite aukštai esančioje, vėsioje, sausoje patalpoje, vaikams nepasiekiamoje vietoje.

Sezoninis saugojimas

Priedą saugojimui ruoškite sezono pabaigoje arba jeigu jis bus nenaudojamas 30 ar daugiau dienų. Jeigu priedas bus saugojamas ilgą laiką:

- Išvalykite įrenginį.
- Patikrinkite priedą, ar nėra atsilaisvusių arba pažeistų dalių. Priveržkite visus atsilaisvintus varžtus.
- Pakeiskite pažeistas, sulūžusias arba susidėvėjusias dalis.
- Kito sezono pradžioje naudokite tik šviežių tinkamų proporcijų benzino ir alyvos mišinį.

Techniniai duomenys

Benzinu varomų produktų techniniai duomenys

BA101	
Svoris	
Svoris, kg	1,9
Skleidžiamas triukšmas	
Garso stiprumo lygis, išmatuotas dB (A)	109
Garso galios lygis, garantuojamas L_{WA} dB (A)	112
Garso lygiai ⁷⁸	
Tolygus garso slėgio naudotojo ausiai lygis, išmatuotas pagal EN15503, dB(A)	99
Vibracijos lygis ⁷⁹	

⁷⁸ Ekvivalentinė garso slėgio lygio vertė apskaičiuota, kai darbo ciklas sudarytas iš 1/7 darbo tuščiaja eiga ir 6/7 pūtimo darbo. Pateiktuose duomenyse apie ekvivalentinį įrenginio garso slėgio lygį yra 1 dB (A) tipiška statistinė sklaida (standartinis nuokrypis).

⁷⁹ Ekvivalentinė vibracijos lygio vertė apskaičiuota, kai darbo ciklas sudarytas iš 1/7 darbo tuščiaja eiga ir 6/7 pūtimo darbo. Pateiktuose atitinkamo vibracijos lygio duomenyse yra 1 m/s² tipiška statistinė sklaida (standartinis nuokrypis).

BA101	
Ekvivalentiški rankenų vibracijos lygiai ($a_{hv,eq}$), išmatuoti pagal EN 15503, m/s^2	
Priekinės / galinės rankenos:	5,6 / 8,3
Ventiliatoriaus parametrai ⁸⁰	
Maksimalus oro greitis su standartiniu antgaliu, m/s:	66
Oro srautas naudojant įprastą antgalį ($m^3/min.$)	15

Akumuliatoriumi varomų įrenginių techniniai duomenys

325iLK + Blower attachment BA101	
Svoris	
Svoris, kg	2,3 + 1,9
Skleidžiamas triukšmas ⁸¹	
Garso stiprumo lygis, išmatuotas dB (A)	103
Garso galios lygis, garantuojamas L_{WA} dB (A)	106
Garso lygiai ⁸²	
Garso spaudimo naudotojo ausiai lygis, matuojamas pagal ISO 26868, dB(A)	
Su patvirtintu įtaisu (originaliu), dB (A)	93
Vibracijos lygis ⁸³	
Vibracijos lygis rankenose, išmatuotas pagal EN 62841-1, m/s^2	
Su patvirtintu naudoti (originaliu) priedu, kairysis / dešinysis, m/s	1,6 / 1,1
Ventiliatoriaus parametrai ⁸⁴	
Oro srautas įprastu režimu naudojant įprastą antgalį ($m^3/min.$)	14
Didžiausias oro greitis įprastu režimu su standartiniu antgaliu, m/s:	52

⁸⁰ Su variklio bloku 525LK/GC2225C.

⁸¹ Triukšmas, skleidžiamas į aplinką, išmatuotas kaip garso galia (L_{WA}) pagal EB direktyvą 2000/14/EB. Pateiktas įrenginio garso stiprumo lygis buvo išmatuotas naudojant didžiausią garsą sukeltantį originalų pjovimo įtaisą. Skirtumas tarp garantuojamojo ir matuojamojo garso stiprumo yra tas, kad pagal Direktyvą 2000/14/EB garantuojamasis garso stiprumas apima ir matavimo rezultatų sklaidą bei nukrypimus tarp skirtingų to pačio modelio įrenginių.

⁸² Pateiktuose duomenyse apie įrenginio garso slėgio lygį yra 3 dB (A) tipiška statistinė sklaida (standartinis nuokrypis). Ji buvo išmatuota naudojant originalų įtaisą, kuri generuoja aukščiausią lygį. Išmatuota su variklio bloku 325iLK.

⁸³ Pateiktuose vibracijos lygio duomenyse yra $2 m/s^2$ tipiška statistinė sklaida (standartinis nuokrypis). Siekiant palyginti vibracijos lygius, akumuliatoriniams ir vidaus degimo gaminiams naudojamas vibracijos skaičiuotuvus. Žr. <https://www.husqvarna.com/uk/services-solutions/vibration-calculator/>. Išmatuota su variklio bloku 325iLK.

⁸⁴ Išmatuota su variklio bloku 325iLK.

Atitikties deklaracija

ES atitikties deklaracija

Mes, **Husqvarna AB**, SE-561 82 Huskvarna, Švedija, tel. +46-36-146500, atsakingai patvirtiname, kad gaminys:

Aprašymas	Pūstuvo priedas
Gamintojas	Husqvarna
Tipas / modelis	BA101
Identifikavimas	Serijos numeriai nuo šios datos: 2022 ir vėlesni

visiškai atitinka šias ES direktyvas ir reglamentus:

Reglamentas	Aprašymas
2006/42/EB	„dėl mašinų“
2000/14/EB	„dėl į aplinką skleidžiamo triukšmo“
2011/65/ES	„dėl tam tikrų pavojingų medžiagų naudojimo elektros ir elektroninėje įrangoje apribojimo“

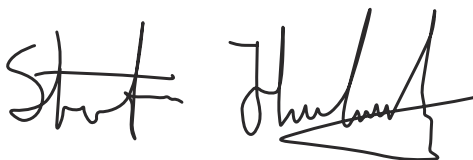
ir kad laikomasi šių standartų ir (arba) techninių specifikacijų: EN15503:2009+A2:2015, EN ISO 12100:2021, EN IEC 63000:2018.

RISE SMP Svensk Maskinprovning AB, Box 7035, SE-750 07 Uppsala, Sweden atliko savanorišką tipo tyrimą „Husqvarna AB“ vardu.

Sertifikato numeris: SEC/15/2416 – Husqvarna BA101.

Daugiau informacijos apie triukšmo emisiją žr. *Techniniai duomenys psl. 157*.

Huskvarna, 2022-05-09



Stefan Holmberg, mokslinių tyrimų ir plėtros direktorius, technologijų vadyba, „Husqvarna AB“

atsakingas už techninę dokumentaciją



ES atitikties deklaracija

Mes, **Husqvarna AB**, SE-561 82 Huskvarna, Švedija, tel. +46-36-146500, atsakingai patvirtiname, kad gaminy:

Aprašymas	Pūstuvo priedas su maitinimo bloku Husqvarna 325iLK
Gamintojas	Husqvarna
Tipas / modelis	BA101
Identifikavimas	Serijos numeriai nuo šios datos: 2022 ir vėlesni

visiškai atitinka šias ES direktyvas ir reglamentus:

Reglamentas	Aprašymas
2006/42/EB	„dėl mašinų“
2000/14/EB	„dėl į aplinką skleidžiamo triukšmo“
2011/65/ES	„dėl tam tikrų pavojingų medžiagų naudojimo elektros ir elektroninėje įrangoje apribojimo“

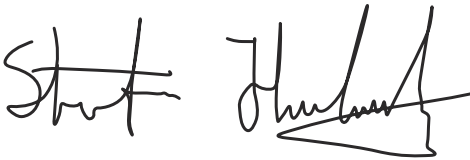
ir kad laikomasi šių standartų ir (arba) techninių specifikacijų: IEC 60335-2-100, EN IEC 63000:2018.

RISE SMP Svensk Maskinprovning AB, Box 7035, SE-750 07 Uppsala, Sweden atliko savanorišką tipo tyrimą „Husqvarna AB“ vardu. Sertifikato numeris: SEC/15/2416 – Husqvarna BA101.

RISE SMP Svensk Maskinprovning AB, Box 7035, SE-750 07 Uppsala, Sweden taip pat patikrino V priedo atitiktį Tarybos direktyvos 2000/14/EB reikalavimams. Sertifikato numeris: 01/012/014.

Daugiau informacijos apie triukšmo emisiją žr. *Techniniai duomenys psl. 157*.

Huskvarna, 2022-05-09



Stefan Holmberg, mokslinių tyrimų ir plėtros direktorius, technologijų vadyba, „Husqvarna AB“

atsakingas už techninę dokumentaciją



Saturs

Ievads.....	161	Pārvadāšana, glabāšana un utilizēšana.....	169
Drošība.....	162	Tehniskie dati.....	169
Lietošana.....	168	Atbilstības deklarācija.....	172
Apkope.....	168		

Ievads

Izstrādājuma apraksts

Mēs pastāvīgi strādājam, lai pilnveidotu savus izstrādājumus, un tāpēc paturam tiesības izdarīt izmaiņas, piemēram, izstrādājumu formai un izskatam bez iepriekšēja paziņojuma.

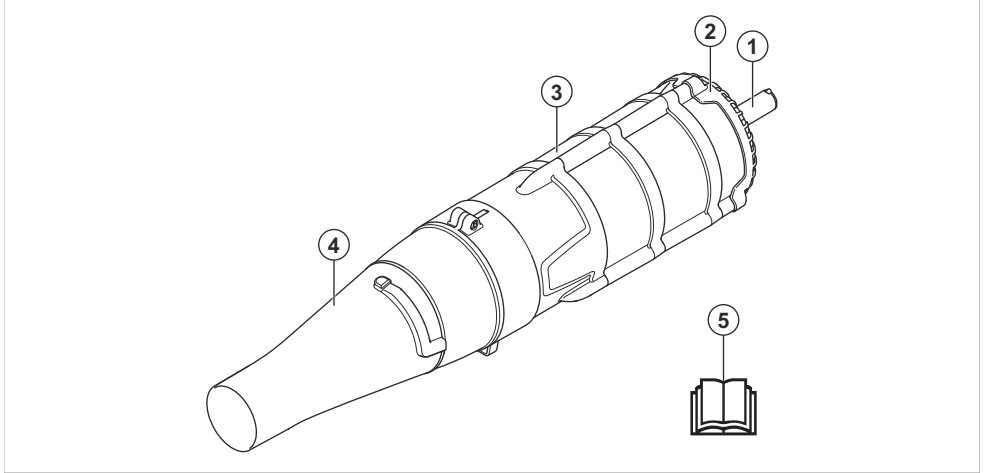
Piezīme: Šī rokasgrāmata attiecas gan uz instrumentiem, kas darbojas ar benzīnu, gan tiem, kas darbojas ar akumulatoru.

Paredzētā lietošana



BRĪDINĀJUMS: Šo palīgierīci drīkst izmantot

Pārskats par ierīci



1. Kāts
2. Gaisa iepļūdes sietfiltrs
3. Ventilatora korpuss
4. Gaisa sprausla
5. Lietošanas rokasgrāmata

Apzīmējumi uz palīgierīces un piedziņas bloka



Pavirša vai nepareiza šīs palīgierīces lietošana var radīt smagas vai nāvējošas traumas lietotājam vai citiem.



Rūpīgi izlasiet šo lietošanas rokasgrāmatu un pirms palīgierīces lietošanas pārlicinieties, vai izprotat norādījumus.



Pūtējs ar lielu spēku var izsviest priekšmetus, kas, atsitoties, var atlēkt. Nelietojot atbilstošu drošības aprīkojumu, tas var radīt smagas acu traumas.



Šis piederums atbilst spēkā esošajām EK direktīvām.



Izstrādājuma lietotājam jānodrošina, lai citi cilvēki vai dzīvnieki neatrastos tuvāk par 15 metriem no darba vietas.



Šis izstrādājums atbilst spēkā esošajiem AK noteikumiem.



Pirkstu vai rokas nogriešanas risks ar ventilatora lāpstiņu. Neatveriet drošības aizsargus un režģus, kad darbojas dzinējs.



Izmantojiet apstiprinātus dzirdes, acu un elpošanas aizsarglīdzekļus.

Piezīme: Pārējie uz ierīces norādītie simboli/norādes atbilst noteiktu valstu sertifikācijas prasībām.



Izmantojiet apstiprinātus aizsargcimdus.



Trokšņa emisijas līmenis atbilst Eiropas Kopienas direktīvai. Ierīces emisiju līmenis ir norādīts sadaļā "Tehniskie dati", kā arī uz marķējuma.



Pūtēja lietotājam jānodrošina, lai citi cilvēki vai dzīvnieki neatrastos tuvāk par 15 metriem no darba vietas. Ja vairāki ierīces lietotāji strādā vienā darba vietā, drošības attālumam ir jābūt ne mazākam par 15 metriem. Pūtējs ar lielu spēku var izsviest priekšmetus, kas, atsitoties, var atlēkt. Nelietojot atbilstošu drošības aprīkojumu, tas var radīt smagas acu traumas.

Drošība

Drošības definīcijas

Brīdinājumi, norādes "Uzmanību!" un piezīmes tiek izmantotas, lai izceltu īpaši svarīgas lietotāja rokasgrāmatas daļas.



BRĪDINĀJUMS: Tiek izmantota tad, ja rokasgrāmatā sniegto norādījumu neievērošanas dēļ operatoram vai blakus

esošajām personām draud traumas vai nāve.



IEVĒROJIET: Tiek izmantota tad, ja rokasgrāmatā sniegto norādījumu neievērošanas dēļ rodas izstrādājuma un/vai palīgieiņas, kā arī citu materiālu vai apkārtējās zonas bojājuma risks.

Piezīme: Tiek izmantota, lai sniegtu plašāku informāciju, kas nepieciešama attiecīgajā situācijā.

Vispārīgi norādījumi par drošību



BRĪDINĀJUMS: Pirms sākat lietot šo palīgieiņi, izlasiet turpmāk izklāstītos drošības norādījumus.

- Lūdzu, rūpīgi izlasiet šo lietošanas rokasgrāmatu un pirms palīgieiņas lietošanas pārlicinieties, vai izprotat norādījumus.
- Lietošanas rokasgrāmata jālasa kopā ar piedziņas bloka rokasgrāmatu, lai iegūtu pilnīgu lietošanas informāciju.

- Nekādā gadījumā bez ražotāja atļaujas nedrīkst mainīt šīs palīgieiņas konstrukciju. Nelietojiet palīgieiņi, ko var būt pārveidojuši citi, un vienmēr izmantojiet oriģinālos piederumus. Neatļautas izmaiņas un/vai neatļauti piederumi var radīt smagas vai nāvējošas traumas izstrādājuma lietotājam un citiem.

Darba drošības norādījumi



BRĪDINĀJUMS: Pirms sākat lietot izstrādājumu, izlasiet turpmāk izklāstītos brīdinājumus.



BRĪDINĀJUMS: Šis izstrādājums darbības laikā rada elektromagnētisko lauku. Zināmos apstākļos šis lauks var traucēt aktīvā vai pasīvā medicīniskā implantāta darbību. Lai samazinātu smagas vai letālas traumas risku, mēs iesakām personām, kurām ir medicīniskie implantāti, pirms šī izstrādājuma lietošanas konsultēties ar savu

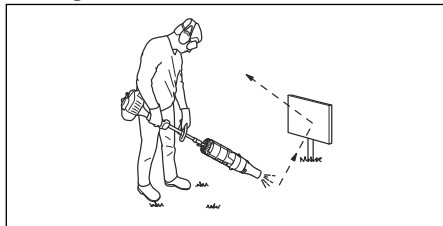
ārstu un medicīniskā implantāta ražotāju.

- Nekad neizmantojiet izstrādājumu, ja esat noguruši, lietojuši alkoholu vai medicīniskus preparātus, kas var ietekmēt redzi, spriestspēju un koordināciju.
- Nekad nelietojiet bojātu izstrādājumu.
- Pirms iedarbināšanas ir jābūt uzstādītiem visiem pārsegiem un aizsargiem. Lai izvairītos no elektrotraumas, pārbaudiet, vai aizdedzes sveces uzmava un aizdedzes vads nav bojāts.
- Pūtēja lietotājam jānodrošina, lai citi cilvēki vai dzīvnieki neatrastos tuvāk par 15 metriem no darba vietas. Ja vairāki ierīces lietotāji strādā vienā darba vietā, drošības attālumam ir jābūt ne mazākam par 15 metriem.
- Nekādā gadījumā neļaujiet bērniem izmantot izstrādājumu.
- Nekad neļaujiet citām personām izmantot izstrādājumu, ja šīs personas nav izlasījušas un izpratušas lietošanas rokasgrāmatā sniegto informāciju.
- Nekad nenoņemiet gaisa ieplūdes sietfiltru.
- Nekad neaiztieciat aizdedzes sveci vai aizdedzes vadu, kamēr motors nav izslēgts. Pieskaršanās aizdedzes svecei vai svecei var izraisīt elektrošoku.
- Vienmēr sazinieties ar vietējām varas iestādēm un pārliecinieties, ka ievērojat spēkā esošās direktīvas.
- Uzmanieties, lai ķermeņa daļas neatrastos karstu virsmu tuvumā.
- Ja ir radusies situācijā, kurā nezināt, kā rīkoties, lūdziet padomu speciālistam. Sazinieties ar izplatītāju vai apkopes darbnīcu. Izvairieties no lietošanas paņēmieniem, kurus nepārvaldāt.
- Turiet pūtēja atveri, iespējami tuvu pie zemes. Lai gaisa plūsma būtu iespējami tuvu zemei, izmantojiet pūtēja cauruļvadu visā tā garumā.
- Lietojiet ierīci tikai darba laikā, lai neradītu nevajadzīgu troksni. Neizmantojiet to agri no rīta vai vēlu vakarā.
- Ievērojiet apkārtni. Ja kāds tuvojas darba vietai, atlaidiet piedziņas mēlīti, līdz persona ir drošā attālumā. Nevērsiet pūtēju pret cilvēkiem, dzīvniekiem, rotāllaukumiem, atvērtiem logiem, automobiļiem u.c. Gaisa spēks var izsviest

akmeņus, nefīrumus vai koka gabalus, tie var arī atlēkt, traumējot cilvēkus un dzīvniekus, kā arī saplēšot stiklu un radot citu veidu bojājumus.

- Lai izvairītos no smagām traumām, ko var izraisīt rotējošais lāpstīnītis, nelieciet rokas vai kādus priekšmetus pūtēja korpusā.
- Uzturiet ārējās virsmas tīras no eļļas un degvielas.
- Neizmantojiet ierīci, lai izplatītu ķīmiskas vielas, mēslojumu vai citas vielas, kas var saturēt toksiskus materiālus.
- Lai izvairītos no uguns izplatīšanās, neizmantojiet ierīci degošu lapu un žaģaru kaudžu, ugunsgrūdu, piknika ugunsgrūdu, pelnu trauku, u. c. tuvumā.
- Palīgie ierīci nekādā gadījumā nedrīkst apliet vai apšļakstīt ar ūdeni vai kādu citu šķidrumu.
- Izstrādājumu vienmēr turiet ar abām rokām. Turiet mašīnu sev sānu pusē.
- Ja lietojat ar benzīnu darbināmu izstrādājumu, ļaujiet dzinējam atdzist, pirms uzpildāt to.
- Spēcīgas gaisa plūsmas var pārvietot priekšmetus tik lielā

ātrumā, ka tie var atlēkt, radot smagas acu traumas.



- Pirms piederumu vai citu detaļu montāžas vai demontāžas apturiet dzinēju/ motoru.
- Nelietojiet izstrādājumu sliktos laika apstākļos, piemēram, miglā, spēcīgā lietū, stiprā vējā, lielā aukstumā utt. Darbs nelabvēlīgos laika apstākļos ir nogurdinošs, un var rasties bīstamas situācijas, piemēram, slidenas darba virsmas.
- Pārliedzinieties, vai varat droši staigāt un stāvēt. Pārbaudiet, vai tuvumā nav kādu šķēršļu, kas var traucēt pēkšņu nepieciešamību pārvietoties (saknes, akmeņi, zari, bedres utt.). Ievērojiet īpašu piesardzību, strādājot uz slīpas virsmas.



- Nekad nenolieciet izstrādājumu ar ieslēgtu dzinēju/motoru, ja nevarat to uzraudzīt.
- Ja izmantojat ar benzīnu darbināmu izstrādājumu, dzinēja izplūdes gāzes satur oglekļa monoksīdu (tvana gāzi), kas var izraisīt saindēšanos. Šī iemesla dēļ neiedarbiniet dzinēju un nelietojiet ierīci telpās vai jebkurā vietā ar vāju ventilāciju.
- Pūtēju nedrīkst izmantot, stāvot uz kāpnēm vai sastatnēm, vai augstās vietās (piemēram, uz jumtiem). Strādājot uz tām, var rasties smagas traumas.



- Nelietojiet izstrādājumu, ja nav iespējams izsaukt palīdzību nelaiemes gadījumā.
- Neievietojiet priekšmetus gaisa ieplūdes atverē, jo tas var ierobežot pareizu gaisa plūsmu un radīt ierīces bojājumus.
- Ierīce nedrīkst saskarties ar žogiem, kokiem vai citiem cietiem materiāliem. Tas var

izraisīt ierīces bojājumus un smagas traumas.

- Lietojot dzirdes aizsarglīdzekļus, vienmēr uzmanīgi klausieties, lai sadzirdētu brīdinājumu signālus vai saucienus. Kad dzinējs/motors apstājas, vienmēr noņemiet dzirdes aizsarglīdzekļus.

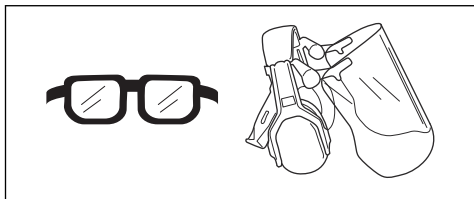
Individuālie aizsarglīdzekļi



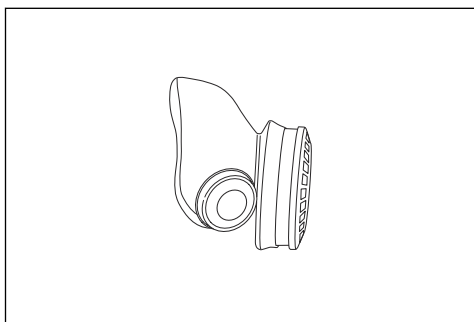
BRĪDINĀJUMS: Pirms sākat lietot izstrādājumu, izlasiet turpmāk izklāstītos brīdinājumus.

- Izmantojot izstrādājumu, vienmēr lietojiet apstiprinātus individuālos aizsarglīdzekļus. Šādi līdzekļi nevar pilnībā novērst traumu gūšanas risku, taču samazina traumu smaguma pakāpi, ja negadījums tomēr notiek. Ļaujiet izplatītājam palīdzēt jums izvēlēties pareizo aprīkojumu.
- Lietojiet tādus dzirdes aizsarglīdzekļus, kas nodrošina pietiekamu trokšņa slāpēšanu. Ilgstoša uzturēšanās troksnī var radīt būtiskus dzirdes bojājumus.
- Izmantojiet apstiprinātus acu aizsarglīdzekļus. Apstiprinātas aizsargbrilles

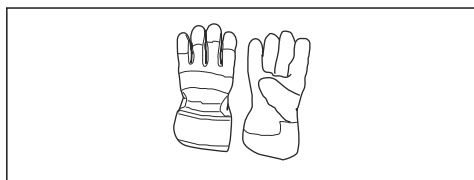
ir jālieto arī tad, ja tiek izmantots sejsegs. Apstiprinātas aizsargbrilles ir tādas, kas atbilst ASV standarta ANSI Z87.1 ASV vai standarta EN 166 prasībām ES valstīs.



- Ja strādājat putekļainā vidē, izmantojot elpošanas aizsarglīdzekļus.



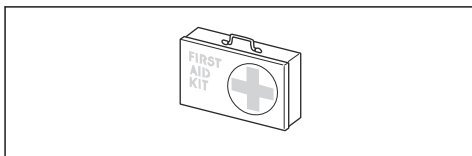
- Vajadzības gadījumā izmantojiet cimdus, piemēram, piestiprinot, pārbaudot vai tīrot aprīkojumu.



- Lietojiet izturīgus, neslīdošus zābakus vai kurpes.



- Lietojiet izturīga auduma apģērbu. Vienmēr valkājiet biezas, garas bikses un apģērbu ar garām piedurknēm. Nevalkājiet vaļīgu apģērbu, kas viegli var iekerties krūmos un zaros. Nenēsājiet rotaslietas, nevelciet šortus, sandales un nestrādājiet basām kājām. Sakārtojiet matus droši virs pleciem.
- Gādājiet, lai tuvumā būtu pirmās palīdzības piederumi.



Norādījumi par drošu apkopi



BRĪDINĀJUMS: Pirms sākat lietot izstrādājumu, izlasiet turpmāk izklāstītos brīdinājumus.

Pirms lietošanas veiciet vispārēju izstrādājuma

pārbaudi. Skatiet apkopes grafiku.

Ievērojiet šajā rokasgrāmatā norādītos apkopes un uzturēšanas norādījumus. Dažus apkopes un remonta darbus drīkst veikt tikai apmācīti un kvalificēti speciālisti. Skatiet norādījumus nodaļā Apkope.

Pirms sākat darbu, pārliecinieties, vai ierīcē

neatrodas kāds priekšmets, kas var traucēt gaisa ieplūdes sietfiltra darbību.

Lai novērstu bojājumu rašanos, izstrādājumam nokrītot, montēšana un izjaukšana jāveic tuvu zemes virsmai.

Lietošana

Palīgierīces lietošana

Piezīme: Cieniet apkārtējos, tādēļ strādājiet ar ierīci piemērotā laikā, nevis, piemēram, agri no rīta vai vēlu vakarā, kad tas var traucēt citus. Samaziniet trokšņa līmeņus, ierobežojot vienlaikus izmantojamo aprīkojuma ierīču skaitu. Lai iespējami mazāk traucētu apkārt esošos cilvēkus, izlasiet un ievērojiet šos vienkāršos noteikumus.

1. Ar grābekli vai slotu atbrīvojiet zemei pielipušos gruzus.
2. Tīriet stūrus, sākot no stūriem un virzoties uz ārpusi. Tas novērsīs neīrimum uzkrāšanos, kas var tikt iesviesti jums sejā.
3. Darbiniet pūtēju ar mazāko iespējamo ātrumu. Ir samērā reti nepieciešams darbināt pūtēju ar pilnībā atvērtu droseli/maksimālā ātrumā, un vairākus darbus var paveikt ar pusatvērtu droseli/pusi no maksimālā ātruma. Ja darbināsiet ierīci ar mazāku ātrumu, būs mazāks troksnis un mazāk putekļu, turklāt, ir arī vieglāk savaldīt savācamos/pārvietojamos gruzus.
4. Samaziniet pūšanas laiku, viegli samitrinot putekļainās vietas vai izmantojot smidzināšanas aprīkojumu.

5. Samaziniet ūdens patēriņu, dažādam lietojumam zālienā un dārzā izmantojot pūtējus nevis ūdens šļūtenes, piemēram, režģiem, sietiem, restēm, lieveņiem utt.
6. Strādājot augu tuvumā, esiet piesardzīgi. Gaisa plūsmas spēks var sabojāt trauslus augus.
7. Piedziņas mēlīte regulē gaisa plūsmas ātrumu. Izvēlieties piemērotāko ātrumu attiecīgo uzdevumu veikšanai.
8. Strādājot ņemiet vērā vēja virzienu. Lai atvieglotu darbu, strādājiet vēja virzienā.
9. Pūtēja izmantošana lielu kaudžu pārvietošanai ir laikietilpīga un rada nevajadzīgu troksni.
10. Stāviet stabili un uz droša pamata.
11. Turiet caurulī atstatumā no zemes, lai ierīces darbības laikā tā zemei nepieskartos.
12. Pēc lietošanas noīriet ierīci! Uzmanieties, lai gruzi netiktu iepūsti citu cilvēku dārzā. Izmetiet atkritumus tiem paredzētā veidnē.
13. Kad darbs pabeigts, uzglabājiet ierīci vertikāli.

Apkope

Ievads

TĀIĀK tekstā iepazīsimies ar daudziem vispārīgajām apkopes instrukcijām. Ja jums nepieciešama papildinformācija, lūdzu, sazinieties ar tehniskās apkopes centru.

Palīgierīces ikdienas apkope



BRĪDINĀJUMS: Pirms ierīces tīrīšanas vai apkopes vienmēr apturiet

dzinēju/motoru. Ja izmantojat ar benzīnu darbināmu izstrādājumu, atvienojiet aizdedzes kabeli no aizdedzes sveces. Ja izmantojat ar akumulatoru darbināmu izstrādājumu, noņemiet akumulatoru.



BRĪDINĀJUMS:

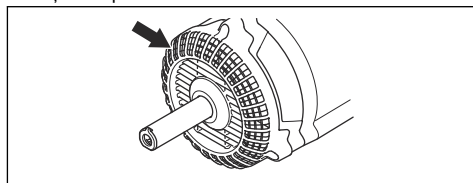
Uzmanieties, lai ķermeņa daļas neatrastos karstu virsmu tuvumā.

1. Notīriet pūtēja ārējās virsmas.

2. Pārbaudiet, vai korpusā nav plaisu.
3. Pārbaudiet, vai izstrādājums ir labā darba stāvoklī.
4. Pārlicinieties, vai visi uzgriežņi un skrūves ir stingri pievilktas.
5. Notīriet uzlīmes, izmantojot saudzīgā mazgāšanas līdzeklī samitrinātu drānu.

Gaisa ieplūdes sietfiltra pārbaude

1. Pārbaudiet, vai no visām pusēm gaisa ieplūde nav nosprostota ar lapām vai gružiem, tostarp arī apakšdaļā. Nosprostota gaisa ieplūde samazina ierīces pūšanas jaudu un palielina dzinēja/motora darba temperatūru, kas var radīt dzinēja/motora darbības traucējumus. Apturiet dzinēju/motoru un izņemiet priekšmetu.



Pārvadāšana, glabāšana un utilizēšana

Transportēšana un uzglabāšana

Izpildiet šīs darbības pēc katras lietošanas reizes:

- Pirms uzglabāšanas vai transportēšanas ļaujiet palīgierīcei atdzist.
- Uzglabājiet to augstā, vēsā, sausā, bērniem nepieejamā vietā.

Sezonāla uzglabāšana

Sagatavojiet palīgierīci uzglabāšanai sezonas beigās vai tad, ja tā netiks izmantota vismaz 30 dienas. Ja pūtēja palīgierīci paredzēts uzglabāt zināmu laiku:

- Notīriet ierīci.
- Pārbaudiet, vai ierīcē nav vaļīgu vai bojātu detaļu. Pievelciet visas vaļīgās skrūves.
- Nomainiet visas bojātās, nodilušās un salūzušās detaļas.
- Nākamās sezonas sākumā izmantojiet tikai svaigu degvielu, kas sajaukta pareizā benzīna un eļļas attiecībā.

Tehniskie dati

Ar benzīnu darbināmu izstrādājumu tehniskie dati

BA101	
Svars	
Svars, kg	1,9
Trokšņa emisija	
Skaņas jaudas līmenis, izmērītais dB (A)	109
Skaņas jaudas līmenis, garantētais L_{WA} dB (A)	112

BA101	
Skaņas līmeņi ⁸⁵	
Ekvivalents skaņas spiediena līmenis pie lietotāja auss mērīts saskaņā ar standartu EN15503 dB(A).	99
Vibrācijas līmeņi ⁸⁶	
Ekvivalenti vibrācijas līmeņi ($a_{hv,eq}$) pie rokturiem mērīti atbilstoši standartam EN 15503, m/s^2	
Priekšējie/aizmugurējie rokturi:	5,6/8,3
Ventilatora darbība ⁸⁷	
Maks. gaisa ātrums ar standarta uzgali, m/s:	66
Gaisa plūsma ar standarta uzgali, m^3/min .	15

Ar akumulatoru darbināmu izstrādājumu tehniskie dati

325iLK + Blower attachment BA101	
Svars	
Svars, kg	2,3+1,9
Trokšņa emisija ⁸⁸	
Skaņas jaudas līmenis, izmērītais dB (A)	103
Skaņas jaudas līmenis, garantētais L_{WA} dB (A)	106
Skaņas līmeņi ⁸⁹	
Skaņas spiediena līmenis pie lietotāja auss, mērīts saskaņā ar standartu ISO 26868, dB (A)	
Aprīkots ar apstiprinātu piederumu (oriģināls), dB (A)	93
Vibrācijas līmeņi ⁹⁰	
Vibrācijas līmeņi pie rokturiem mērīti atbilstoši standartam EN 62841-1, m/s^2	
Aprīkots ar apstiprinātu piederumu (oriģināls), pa kreisi/pa labi, m/s	1,6/1,1

⁸⁵ Ekvivalentu skaņas spiediena līmeni aprēķina ar šādu laika sadalījumu: 1/7 tukšgaitā un 6/7 ar maksimālo ātrumu. Sniegtajos datos par ekvivalenta skaņas spiediena līmeni ierīcei ir tipiska statistiskā 1 dB (A) izkliede (standarta novirze).

⁸⁶ Ekvivalentu vibrācijas līmeni aprēķina ar šādu laika sadalījumu: 1/7 tukšgaitā un 6/7 ar maksimālo ātrumu. Sniegtajos datos par ekvivalentu vibrācijas līmeni ir tipiska 1 m/s^2 statistiskā izkliede (standarta novirze).

⁸⁷ Kopā ar dzinēja bloku 525LK/GC2225C.

⁸⁸ Atbilstoši EK direktīvai 2000/14/EK trokšņa emisija apkārtne ir mērīta kā trokšņa jauda (L_{WA}). Novērotais ierīces skaņas jaudas līmenis ir izmērīts ar pievienotu oriģinālo griešanas ierīci, kas rada augstāko līmeni. Atšķirība starp garantēto un izmērīto skaņas jaudas līmeni ir tāda, ka garantētā skaņas intensitātes līmeņa mērījumu rezultāts ietver arī izkliedi mērījuma rezultātā un atšķirības dažādām tā paša modeļa ierīcēm atbilstoši direktīvai 2000/14/EK.

⁸⁹ Sniegtajos datos par skaņas spiediena līmeni ierīcei ir tipiska 3 dB (A) statistiskā izkliede (standarta novirze), mērīts ar piestiprinātu oriģinālo ierīci, kas veic darbu augstākajā līmenī. Mērīts kopā ar motora bloku 325iLK.

⁹⁰ Sniegtajos datos par vibrācijas līmeni ir tipiska 2 m/s^2 statistiskā izkliede (standarta novirze). Akumulatora un iekšdedzes dzinēju izstrādājumu vibrācijas līmeņu salīdzinājumam izmantojiet vibrācijas kalkulatoru; skatiet vietni <https://www.husqvarna.com/uk/services-solutions/vibration-calculator/>. Mērīts kopā ar motora bloku 325iLK.

325iLK + Blower attachment BA101	
Ventilatora darbība ⁹¹	
Gaisa plūsma parastā režīmā ar standarta uzgali, m ³ /min.	14
Maksimālais gaisa ātrums parastajā režīmā ar standarta uzgali (sprauslu), m/s:	52

⁹¹ Mērīts kopā ar motora bloku 325iLK.

Atbilstības deklarācija

ES atbilstības deklarācija

Mēs, **Husqvarna AB**, SE-561 82 Huskvarna, Zviedrija, tālr. +46-36-146500, ar pilnu atbildību apliecinām, ka šis izstrādājums:

Apraksts	Pūtēja agregāts
Zīmols	Husqvarna
Tips/modelis	BA101
Identifikācija	Ar sērijas numuriem no 2022 un turpmākiem sērijas numuriem

pilnībā atbilst šādām ES direktīvām un noteikumiem:

Noteikums	Apraksts
2006/42/EK	“par iekārtām”
2000/14/EK	“par trokšņa emisiju vidē”
2011/65/ES	Par dažādu bīstamo vielu lietošanas ierobežojumiem elektriskajos un elektroniskajos aprīkojumos

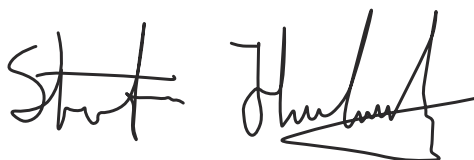
un ir ievēroti zemāk norādītie saskaņotie standarti un/vai tehniskie dati: EN15503:2009+A2:2015, EN ISO 12100:2021, EN IEC 63000:2018.

RISE SMP Svensk Maskinprovning AB, Box 7035, SE-750 07 Uppsala, Sweden ir veicis brīvprātīgu tipa pārbaudi Husqvarna AB vārdā.

Sertifikāta numurs: SEC/15/2416 – Husqvarna BA101.

Lai iegūtu informāciju par trokšņa emisiju, skatiet šeit: *Tehniskie dati lpp. 169.*

Huskvarna, 2022-05-09



Stefan Holmberg, R&D Director, Technology Management, Husqvarna AB

Atbildīgais par tehnisko dokumentāciju



ES atbilstības deklarācija

Mēs, **Husqvarna AB**, SE-561 82 Huskvarna, Zviedrija,
tālr. +46-36-146500, ar pilnu atbildību apliecinām, ka šis
izstrādājums:

Apraksts	Pūtēja mezglis ar barošanas bloku Husqvarna 325iLK
Zīmols	Husqvarna
Tips/modelis	BA101
Identifikācija	Ar sērijas numuriem no 2022 un turpmākiem sērijas numuriem

pilnībā atbilst šādām ES direktīvām un noteikumiem:

Noteikums	Apraksts
2006/42/EK	"par iekārtām"
2000/14/EK	"par trokšņa emisiju vidē"
2011/65/ES	Par dažādu bīstamo vielu lietošanas ierobežojumiem elektriskajos un elektroniskajos aprīkojumos

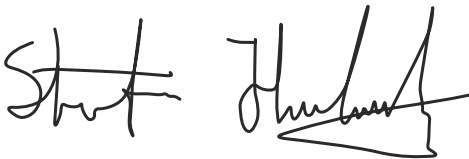
un ir ievēroti zemāk norādītie saskaņotie standarti un/vai
tehniskie dati: IEC 60335-2-100, EN IEC 63000:2018.

RISE SMP Svensk Maskinprovning AB, Box 7035,
SE-750 07 Uppsala, Sweden ir veicis brīvprātīgu tipa
pārbaudi Husqvarna AB vārdā. Serifikāta numurs:
SEC/15/2416 – Husqvarna BA101.

RISE SMP Svensk Maskinprovning AB, Box 7035,
SE-750 07 Uppsala, Sweden ir arī pārbaudījis atbilstību
Eiropas Padomes direktīvas 2000/14/EK V pielikumam.
Serifikāta numurs: 01/012/014.

Lai iegūtu informāciju par trokšņa emisiju, skatiet šeit:
Tehniskie dati lpp. 169.

Huskvarna, 2022-05-09



Stefan Holmberg, R&D Director, Technology
Management, Husqvarna AB

Atbildīgais par tehnisko dokumentāciju



Inhoud

Inleiding.....	174	Vervoer, opslag en verwerking.....	183
Veiligheid.....	175	Technische gegevens.....	183
Werking.....	181	Verklaring van overeenstemming.....	185
Onderhoud.....	182		

Inleiding

Productbeschrijving

Husqvarna AB werkt voortdurend aan het verder ontwikkelen van haar producten en behoudt zich dan ook het recht voor om zonder aankondiging vooraf wijzigingen in o.a. vorm en uiterlijk door te voeren.

Let op: Deze handleiding heeft betrekking op zowel benzine- als accu-aangedreven voedingseenheden.

Gebruik

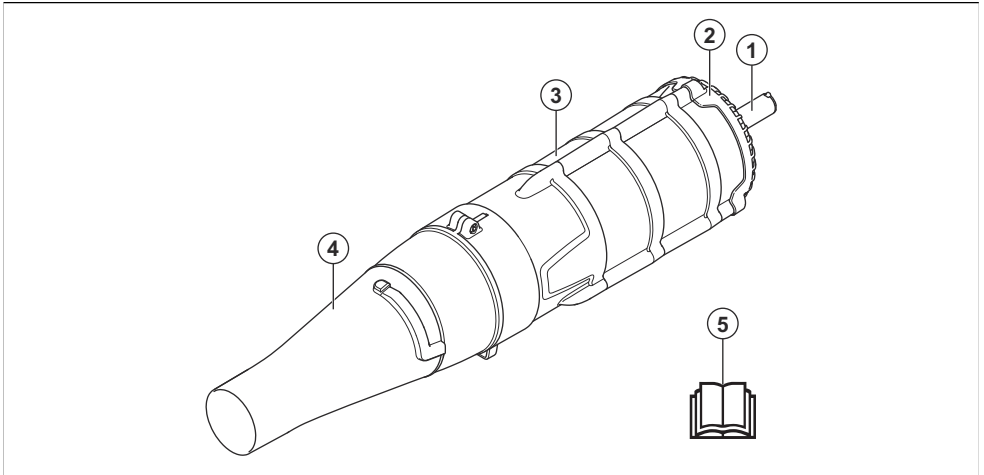


WAARSCHUWING: Dit opzetstuk mag alleen

samen met de bedoelde voedingseenheid worden gebruikt. Zie het hoofdstuk over accessoires in de bedieningshandleiding van de voedingseenheid.

Het opzetstuk is alleen bedoeld voor het schoonblazen van gazons, paden, asfaltwegen en dergelijke.

Overzicht opzetstukken



1. Steel
2. Luchtinlaatrooster
3. Ventilatorbehuizing
4. Luchtmondstuk
5. Gebruikershandleiding

Symbolen op het opzetstuk en de voedingseenheid



Onachtzaam of onjuist gebruik van dit opzetstuk kan ernstig of dodelijk letsel aan de gebruiker of anderen toebrengen.



Lees de bedieningshandleiding zorgvuldig door en zorg dat u de instructies hebt begrepen voordat u het opzetstuk gaat gebruiken.



Dit opzetstuk voldoet aan de geldende EG-richtlijnen.



Dit product voldoet aan geldende VK-regelgeving.



Gebruik goedgekeurde gehoor-, oog- en ademhalingsbescherming.



Draag goedgekeurde veiligheidshandschoenen.



Geluidsemisatie naar de omgeving volgens de richtlijn van de Europese Gemeenschap. De emissie van het opzetstuk staat vermeld in het hoofdstuk "Technische gegevens" en op het label.



De gebruiker van de blazer dient ervoor te zorgen dat geen mensen of dieren dichterbij komen dan 15 meter. Indien meerdere gebruikers werken in hetzelfde werkgebied, is de onderlinge veiligheidsafstand min. 15 meter. De bladblazer kan voorwerpen met geweld wegslingeren, die terug kunnen kaatsen. Dit kan leiden tot ernstig oogletsel, als de aanbevolen veiligheidsuitrusting niet wordt gebruikt.



De bladblazer kan voorwerpen met geweld wegslingeren, die terug kunnen kaatsen. Dit kan leiden tot ernstig oogletsel, als de aanbevolen veiligheidsuitrusting niet wordt gebruikt.



Gebruikers van het product moeten erop toezien dat er tijdens het werk geen mensen of dieren dichterbij dan 15 meter bij het product komen.



Afgesneden vingers of handen door ventilatorschoep. Open of verwijder de beschermkappen of -netten niet terwijl de motor draait.

Let op: Overige op het opzetstuk aangegeven symbolen/plaatjes verwijzen naar specifieke eisen aan certificering voor bepaalde markten.

Veiligheid

Veiligheidsdefinitie

Waarschuwingen, voorzorgsmaatregelen en opmerkingen worden gebruikt om te wijzen op belangrijke delen van de gebruikershandleiding.



WAARSCHUWING:

Wordt gebruikt om te wijzen op de kans op ernstig of fataal letsel voor de gebruiker of omstanders wanneer

de instructies in de handleiding niet worden gevolgd.



OPGELET: Wordt gebruikt indien er een risico bestaat op schade aan het product en/of het hulpstuk, andere materialen of aan de omgeving wanneer de instructies in de handleiding niet worden gevolgd.

Let op: Geven verdere informatie die nodig is in een bepaalde situatie.

Algemene veiligheidsinstructies



WAARSCHUWING: Lees de volgende veiligheidsinstructies voordat u het opzetstuk gebruikt.

- Lees de gebruikershandleiding zorgvuldig door en zorg dat u de instructies hebt begrepen voordat u het opzetstuk gebruikt.
- Deze bedieningshandleiding moet samen met de

bedieningshandleiding voor de voedingseenheid worden gelezen om de volledige gebruikersinformatie te verkrijgen.

- De oorspronkelijke vormgeving van het opzetstuk mag in geen enkel geval gewijzigd worden zonder toestemming van de fabrikant. Gebruik nooit een opzetstuk dat gewijzigd lijkt te zijn door anderen, en gebruik altijd originele accessoires. Niet goedgekeurde wijzigingen en/of niet-originele onderdelen kunnen tot ernstig persoonlijk letsel of de dood van zowel gebruiker als omstanders leiden.

Veiligheidsinstructies voor bediening



WAARSCHUWING: Lees de volgende waarschuwingen voordat u het product gaat gebruiken.

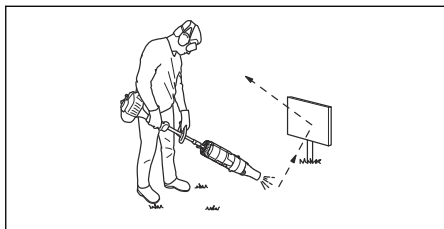


WAARSCHUWING: Dit product produceert tijdens bedrijf een elektromagnetisch veld. Dit veld kan onder bepaalde omstandigheden de

werking van actieve of passieve medische implantaten verstoren. Om het risico op ernstig of fataal letsel te beperken, raden we personen met een medisch implantaat aan om contact op te nemen met hun arts en de fabrikant van het medische implantaat voordat ze dit product gaan bedienen.

- Gebruik het product nooit als u moe bent, ziek bent, alcohol hebt gedronken of andere drugs heeft ingenomen of wanneer u medicijnen gebruikt die uw gezichtsvermogen, beoordelingsvermogen of coördinatievermogen negatief beïnvloeden.
- Gebruik nooit een machine die defect is.
- Alle kappen en beschermkappen moeten gemonteerd zijn voor de start. Als u een product hebt dat op benzine werkt, controleer dan of de bougie en ontstekingskabel onbeschadigd zijn om het risico van een elektrische schok te voorkomen.
- De gebruiker van de blazer dient ervoor te zorgen dat geen mensen of dieren dichterbij komen dan 15 meter. Indien meerdere gebruikers werken in hetzelfde werkgebied, is de onderlinge veiligheidsafstand min. 15 meter.
- Laat nooit kinderen het product gebruiken.
- Laat nooit iemand anders het product gebruiken zonder dat u zeker weet dat hij of zij de gebruikershandleiding heeft gelezen en begrepen.
- Verwijder het luchtinlaatrooster nooit.
- Raak de bougie of de ontstekingskabel nooit aan terwijl de motor loopt. Aanraken van de bougie of stekker kan leiden tot elektrische schokken.
- Neem altijd contact op met de plaatselijke overheid en controleer of u de op u van toepassing zijnde bepalingen naleeft.
- Houd alle lichaamsdelen uit de buurt van hete oppervlakken.
- Wanneer u in een situatie belandt waarin u niet goed weet hoe u verder te werk moet gaan, moet u een expert raadplegen. Wend

- u tot uw dealer of uw servicewerkplaats. Gebruik de machine nooit voor taken waarvoor u niet voldoende gekwalificeerd bent.
- Houd de mond van de blaaspijp zo dicht mogelijk bij de grond. Gebruik de volledige lengte van de blaaspijp om de luchtstroom dicht bij de grond te houden.
 - Gebruik de machine tijdens normale werktijden om onnodige overlast te vermijden. Vermijd werkzaamheden 's morgens vroeg of 's avonds laat.
 - Let op uw omgeving. Mocht iemand uw werkterrein naderen, laat dan de gashendel/voedingsschakelaar los tot de persoon weer op gepaste afstand is. Richt de blazer weg van personen, dieren, speelplaatsen, open ramen, auto's, enz. Door de kracht van de lucht kunnen stenen, vuil of stokken worden weggeworpen of afgeketst en mensen of dieren verwonden, glas breken of andere schade veroorzaken.
 - Steek uw handen of andere voorwerpen nooit in de behuizing van de blazer om ernstig letsel door de draaiende rotor te voorkomen.
- Houd het buitenoppervlak vrij van olie en brandstof.
 - Nooit gebruiken voor het verspreiden van chemicaliën, kunstmest of andere stoffen die mogelijk giftige bestanddelen bevatten.
 - Om verspreiding van vuur te voorkomen mag de blazer nooit gebruikt worden in de buurt van brandende bladeren of struiken, haarden, barbecues, asbakken enz.
 - Dompel het opzetstuk nooit onder en besproei het nooit met water of enige andere vloeistof.
 - Gebruik altijd beide handen om de machine vast te houden. Houd de machine naast uw lichaam.
 - Als u een product hebt dat op benzine werkt, laat de motor dan afkoelen voordat u brandstof bijvult.
 - De krachtige luchtstroom kan voorwerpen met zo'n snelheid verplaatsen dat ze terug kunnen stuiteren en ernstige schade aan uw ogen kunnen veroorzaken.



- Schakel de motor uit voordat u accessoires of andere onderdelen monteert of demonteert.
- Gebruik het product nooit bij ongunstige weersomstandigheden, bijv. bij mist, regen, bij harde wind, hevige koude, etc. Het gebruik bij ongunstige weersomstandigheden is vermoeiend en kan tot gevaarlijke situaties leiden, bijvoorbeeld gladde oppervlakken.
- Zorg ervoor dat u veilig kunt gaan en staan. Controleer of er eventuele hindernissen zijn als u onverwacht snel moet kunnen weggomen (wortels, stenen, takken, kuilen, greppels enz.). Wees extra voorzichtig wanneer u op hellend terrein werkt.



- Leg het product nooit neer terwijl de motor draait, tenzij u er goed zicht op hebt.
- Hebt u een product hebt dat op benzine werkt? De uitlaatgassen bevatten koolmonoxide. Dit kan koolmonoxidevergiftiging veroorzaken. Start of gebruik het product daarom nooit binnenshuis of op een slecht geventileerde plek.
- De blazer mag niet worden gebruikt op een ladder, steiger of op hoge plaatsen (zoals daken). Dit kan leiden tot ernstig letsel.



- Gebruik het product nooit zonder de mogelijkheid hulp in te roepen in geval van nood.
- Plaats nooit voorwerpen in de luchtinlaatopening, omdat dit een goede luchtstroom kan belemmeren en schade aan de unit kan veroorzaken.
- Zorg ervoor dat het product geen hek, boom of ander hard materiaal kan raken. Dit kan schade aan de machine en ernstig letsel veroorzaken.

- Let als u gehoorbescherming draagt op waarschuwingssignalen of geschreeuw. Doe uw gehoorbescherming altijd af als de motor is gestopt.

Persoonlijke beschermingsuitrusting

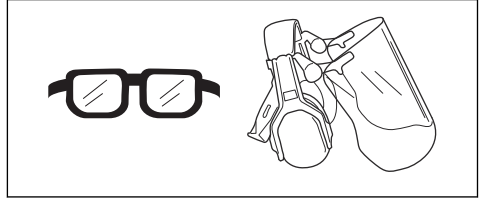


WAARSCHUWING:

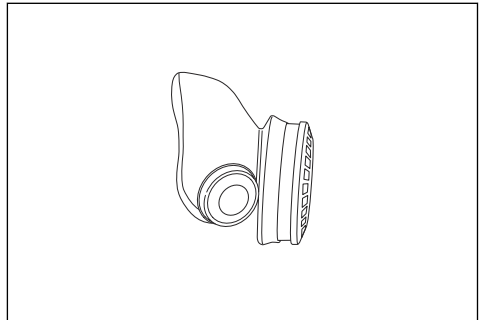
Lees de volgende waarschuwingen voordat u het product gaat gebruiken.

- Draag tijdens het gebruik van het product altijd goedgekeurde persoonlijke beschermingsuitrusting. Persoonlijke beschermingsuitrusting kunnen niet alle risico's uitsluiten maar kunnen de ernst van eventueel letsel helpen beperken. Vraag uw dealer u te helpen bij het kiezen van de juiste beschermingsmiddelen.
- Gebruik goedgekeurde gehoorbescherming met voldoende dempvermogen. Langdurige blootstelling aan lawaai kan leiden tot permanente gehoorbeschadiging.
- Gebruik goedgekeurde oogbescherming. Als u

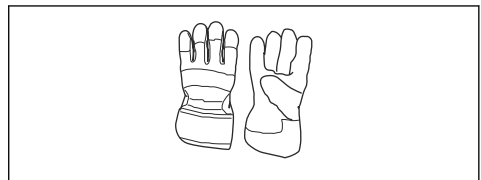
een vizier gebruikt, moet u ook een goedgekeurde veiligheidsbril gebruiken. Een goedgekeurde veiligheidsbril moet voldoen aan de norm ANSI Z87.1 voor de VS of EN 166 voor de EU-landen.



- Gebruik ademhalingsbescherming wanneer het risico van het vrijkomen van stof bestaat.



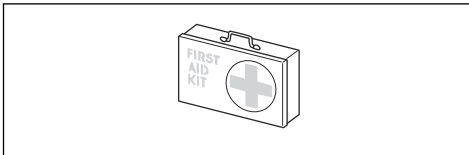
- Draag indien nodig handschoenen, bijvoorbeeld bij het monteren, inspecteren of reinigen van de uitrusting.



- Gebruik stevige laarzen of schoenen met antislipzool.



- Gebruik kleding van stevige stof. Gebruik altijd een zware lange broek en lange mouwen. Gebruik geen loszittende kleding die gemakkelijk kan blijven haken aan takjes en struikgewas. Draag geen sieraden, korte broek of sandalen of loop niet op blote voeten. Bind voor de veiligheid lang haar samen tot boven schouderhoogte.
- Houd een EHBO-does binnen handbereik.



Veiligheidsinstructies voor onderhoud



WAARSCHUWING:

Lees de volgende

waarschuwingen voordat u het product gebruikt.

Voer voor gebruik een algemene inspectie van het product uit. Zie het onderhoudsschema.

Volg de onderhouds- en service-instructies van deze handleiding. Bepaalde onderhouds- en servicemaatregelen moeten door opgeleide en gekwalificeerde specialisten worden uitgevoerd. Zie de instructies in het hoofdstuk Onderhoud.

Controleer altijd of het luchtinlaatrooster door voorwerpen wordt belemmerd voordat u werkzaamheden uitvoert.

Om schade aan het product door vallen te voorkomen, moet montage en demontage laag aan de grond worden uitgevoerd.

Werking

Het opzetstuk gebruiken

Let op: Houd rekening met de mensen in uw omgeving door de machine niet te gebruiken op

ongebruikelijke tijdstippen, bijvoorbeeld 's avonds laat of 's morgens vroeg. Verlaag het geluidsniveau door het aantal uitrustingsseenheden dat gelijktijdig wordt gebruikt te beperken. Lees de onderstaande eenvoudige

adviezen door en volg ze om uw omgeving zo min mogelijk te storen.

1. Gebruik een hark of een bezem om het vastzittende vuil van de grond los te maken.
2. Maak hoeken schoon door in de hoeken te beginnen en naar buiten toe te werken. Dit helpt opeenhoping van vuil te voorkomen, dat in uw gezicht terecht kan komen.
3. Gebruik de blazer op de laagst mogelijke snelheid. Het is zelden nodig om de vol gas te gebruiken. Veel werkzaamheden kunnen op half gas uitgevoerd worden. Een lager vermogen zorgt voor minder lawaai en minder stof. Bovendien vliegt het verzamelde/verplaatste afval dan ook niet alle kanten op.
4. Beperk de blaastijd tot een minimum door stoffige gebieden met behulp van sproeiapparatuur te bevochtigen.
5. Verminder het waterverbruik door blazers in plaats van waterslangen voor verschillende toepassingen rond het gazon en de tuin te gebruiken, bijvoorbeeld bij latwerk, schuttingen, roosters en veranda's.

6. Wees voorzichtig als u in de buurt van planten werkt. De kracht van de luchtstroom kan kwetsbare planten beschadigen.
7. De snelheid van de luchtstraal regelt u met behulp van de gashendel/voedingsschakelaar. Kies de snelheid, die het best geschikt is voor de desbetreffende toepassing.
8. Let op de windrichting. Werk met de wind mee om uw werk te vergemakkelijken.
9. Het is tijdrovend om de bladblazer te gebruiken om grote bergen te verplaatsen en het creëert onnodig lawaai.
10. Zorg voor een goede balans en een stabiele houding.
11. Houd voldoende afstand tussen de pijp en grond om te voorkomen dat ze elkaar raken wanneer u met het product werkt.
12. Ruim uw rommel op. Vergewis u ervan dat u geen vuil op het erf van iemand anders heeft geblazen. Gooi afval in de vuilnisbak.
13. Wanneer het werk is voltooid, moet het product horizontaal worden opgeslagen.

Onderhoud

Inleiding

Hieronder worden algemene onderhoudsvorschriften opgesomd. Neem contact op met uw dealer indien u meer informatie heeft.

Dagelijks onderhoud uitvoeren aan het opzetstuk



WAARSCHUWING: Schakel altijd de motor uit voordat u het opzetstuk reinigt of onderhoud uitvoert. Als u een product hebt dat op benzine werkt, koppel dan de ontstekingskabel los van de bougie. Als u een product hebt dat op een accu werkt, verwijdert u de accu.



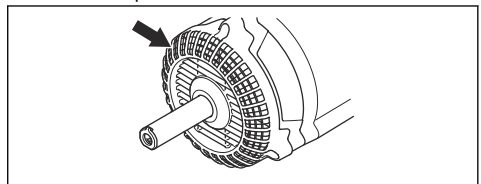
WAARSCHUWING: Houd alle lichaamsdelen uit

de buurt van hete oppervlakken.

1. Reinig het buitenoppervlak van de blazer.
2. Controleer of de behuizingen geen scheuren vertonen.
3. Controleer of het product in goede staat is.
4. Controleer of alle moeren en schroeven goed zijn vastgedraaid.
5. Reinig de labels met een vochtige doek met een mild reinigingsmiddel.

Het luchtinlaatrooster controleren

1. Controleer of de luchtinlaat aan geen enkele zijde wordt geblokkeerd door bijvoorbeeld bladeren of vuil. Een verstopte luchtinlaat vermindert de blaascapaciteit van het product en verhoogt de bedrijfstemperatuur van de motor, wat tot motorschade kan leiden. Stop de motor en verwijder het voorwerp.



Vervoer, opslag en verwerking

Transport en opbergen

Voer telkens na gebruik de volgende stappen uit:

- Laat het accessoire afkoelen voordat u het opbergt of transporteert.
- Berg het op een hoge, koele, droge plaats binnen op, buiten het bereik van kinderen.

Seizoensopslag

Maak het opzetstuk klaar voor opslag aan het eind van het seizoen of als het gedurende 30 dagen of langer niet

wordt gebruikt. Als u het blazeraccessoire gedurende langere tijd wilt opslaan:

- Reinig de unit.
- Controleer het accessoire op loszittende of beschadigde onderdelen. Draai losse schroeven vast.
- Vervang beschadigde, versleten of defecte onderdelen.
- Gebruik aan het begin van het volgende seizoen uitsluitend nieuwe brandstof met de juiste benzine-olieverhouding.

Technische gegevens

Technische gegevens voor producten die op benzine werken

BA101	
Gewicht	
Gewicht, kg	1,9
Geluidsemissies	
Geluidsvermogeniveau, gemeten dB(A)	109
Geluidsvermogeniveau, gegarandeerd L_{WA} dB (A)	112
Geluidsniveau ⁹²	
Equivalent geluidsdrumniveau bij het oor van de gebruiker, gemeten volgens EN 15503 dB(A)	99
Trillingsniveau ⁹³	
Equivalent trillingsniveaus ($a_{hv,eq}$) in de handgrepen, gemeten volgens EN 15503, m/s^2	
Voorste/achterste handgrepen:	5,6/8,3
Ventilatorprestaties ⁹⁴	
Max. luchtsnelheid met standaard mondstuk, m/s:	66
Luchtstroom met standaard mondstuk, m^3/min	15

⁹² De waarde van het equivalente geluidsdrumniveau is berekend aan de hand van een werkcyclus met een duur van 1/7 voor stationair en 6/7 voor topsnelheid. De gerapporteerde gegevens voor een vergelijkbaar geluidsdrumniveau voor de machine vertonen een typische statistische spreiding (standaardafwijking) van 1 dB(A).

⁹³ Het equivalente trillingsniveau wordt berekend aan de hand van een werkcyclus met een duur van 1/7 stationair en 6/7 voor topsnelheid. De gerapporteerde gegevens voor een vergelijkbaar trillingsniveau vertonen een typische statistische spreiding (standaardafwijking) van 1 m/s^2 .

⁹⁴ Samen met de 525LK/GC2225C-motor.

Technische gegevens voor producten die op een accu werken

325iLK + Blower attachment BA101	
Gewicht	
Gewicht, kg	2,3+1,9
Geluidsemissies ⁹⁵	
Geluidsvermogeniveau, gemeten dB(A)	103
Geluidsvermogeniveau, gegarandeerd L_{WA} dB (A)	106
Geluidsniveau ⁹⁶	
Geluidsdrukniveau bij het oor van de gebruiker, gemeten volgens ISO 26868 dB(A)	
Uitgerust met goedgekeurde accessoire (origineel), dB(A)	93
Trillingsniveau ⁹⁷	
Trillingsniveaus in de handgrepen, gemeten volgens EN 62841-1, m/s^2	
Uitgerust met goedgekeurde accessoire (origineel), links/rechts m/s	1,6/1,1
Ventilatorprestaties ⁹⁸	
Luchtstroom in normale modus met standaard mondstuk, m^3/min	14
Maximale lichtsnelheid in normale modus met standaard mondstuk, m/s :	52

⁹⁵ Geluidsemissie naar de omgeving gemeten als geluidsvermogen (L_{WA}) volgens EG-richtlijn 2000/14/EG. Het gerapporteerde geluidsvermogeniveau voor de machine is gemeten met de originele snijuitrusting die het hoogste niveau geeft. Het verschil tussen gegarandeerd en gemeten geluidsvermogen is dat het gegarandeerde geluidsvermogen ook spreiding in het meetresultaat omvat en de verschillen tussen de verschillende machines van hetzelfde model conform Richtlijn 2000/14/EG.

⁹⁶ De gerapporteerde gegevens voor het geluidsdrukniveau van de machine vertonen een typische statistische spreiding (standaardafwijking) van 3 dB (A) en zijn gemeten met het originele opzetstuk dat het hoogste niveau geeft. Gemeten in combinatie met de 325iLK-motoreenheid.

⁹⁷ De gerapporteerde gegevens voor een trillingsniveau vertonen een typische statistische spreiding (standaardafwijking) van 2 m/s^2 . Gebruik voor vergelijking van trillingsniveaus, accu's en verbrandingsproducten de trillingscalculator op: <https://www.husqvarna.com/uk/services-solutions/vibration-calculator/>. Gemeten in combinatie met de 325iLK-motoreenheid.

⁹⁸ Gemeten in combinatie met de 325iLK-motoreenheid.

Verklaring van overeenstemming

EU-verklaring van overeenstemming

Wij, **Husqvarna AB**, SE-561 82 Huskvarna,
Zweden, tel: +46-36-146500, verklaren onder onze
alleenverantwoordelijkheid dat het product:

Beschrijving	Opzetstuk blazer
Merk	Husqvarna
Type / model	BA101
Identificatie	Serienummers vanaf 2022 en verder

volledig voldoet aan de volgende EU-richtlijnen en
-regelgeving:

Verordening	Beschrijving
2006/42/EG	"betreffende machines"
2000/14/EG	"betreffende de geluidsemissies in het milieu"
2011/65/EU	"inzake beperking van het gebruik van bepaalde gevaarlijke stoffen in elektrische en elektro- nische apparatuur"

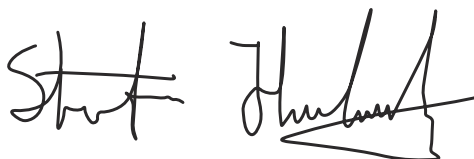
en dat de volgende normen en/of technische
specificaties zijn toegepast: EN15503:2009+A2:2015,
EN ISO 12100:2021, EN IEC 63000:2018.

RISE SMP Svensk Maskinprovning AB, Box 7035,
SE-750 07 Uppsala, Sweden heeft namens Husqvarna
AB een niet-verplicht typeonderzoek uitgevoerd.

Certificaatnummer: SEC/15/2416 – Husqvarna BA101.

Voor informatie over geluidsemissies, zie *Technische
gegevens op pagina 183*.

Huskvarna, 2022-05-09



Stefan Holmberg, Directeur R&D,
Technologiemanagement, Husqvarna AB

Verantwoordelijk voor technische documentatie



EU-verklaring van overeenstemming

Wij, **Husqvarna AB**, SE-561 82 Huskvarna,
Zweden, tel: +46-36-146500, verklaren onder onze
alleenverantwoordelijkheid dat het product:

Beschrijving	Opzetstuk blazer met voedingsunit Husqvarna 325iLK
Merk	Husqvarna
Type / model	BA101
Identificatie	Serienummers vanaf 2022 en verder

volledig voldoet aan de volgende EU-richtlijnen en
-regelgeving:

Verordening	Beschrijving
2006/42/EG	"betreffende machines"
2000/14/EG	"betreffende de geluidsemisies in het milieu"
2011/65/EU	"inzake beperking van het gebruik van bepaalde gevaarlijke stoffen in elektrische en elektro- nische apparatuur"

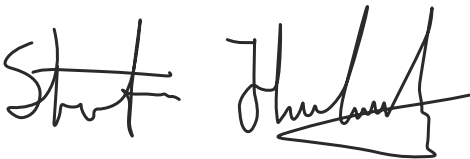
en dat de volgende normen en/of technische
specificaties zijn toegepast: IEC 60335-2-100, EN IEC
63000:2018.

RISE SMP Svensk Maskinprovning AB, Box 7035,
SE-750 07 Uppsala, Sweden heeft namens Husqvarna
AB een niet-verplicht typeonderzoek uitgevoerd.
Certificaatnummer: SEC/15/2416 – Husqvarna BA101.

RISE SMP Svensk Maskinprovning AB, Box
7035, SE-750 07 Uppsala, Sweden heeft ook
overeenstemming bevestigd met de bijlage V van de
richtlijn 2000/14/EG van de raad. Certificaatnummer:
01/012/014.

Voor informatie over geluidsemisies, zie *Technische
gegevens op pagina 183*.

Huskvarna, 2022-05-09



Stefan Holmberg, Directeur R&D,
Technologiemanagement, Husqvarna AB
Verantwoordelijk voor technische documentatie



INNHold

Innledning.....	187	Transport, oppbevaring og avhending.....	195
Sikkerhet.....	188	Tekniske data.....	195
Drift.....	194	Samsvarserklæring.....	197
Vedlikehold.....	194		

Innledning

Produktbeskrivelse

Vi arbeider løpende med å videreutvikle produktene våre og forbeholder oss derfor retten til endringer vedrørende bl.a. form og utseende uten varsel.

Merk: Denne bruksanvisningen dekker både bensindrevne og batteridrevne strømenheter.

Bruksområder

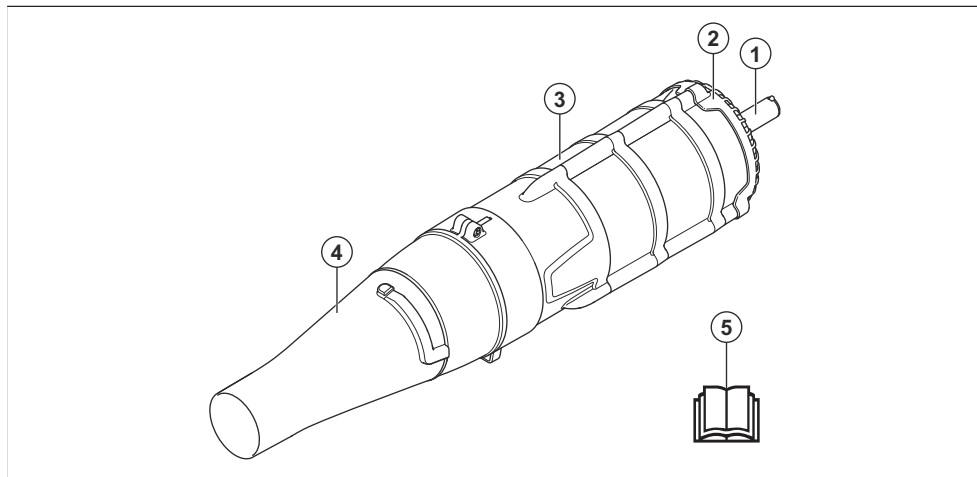


ADVARSEL: Dette tilbehøret kan bare

brukes sammen med den tiltenkte strømforsyningsenheten. Se kapittelet om tilbehør i brukerhåndboken for strømforsyningsenheten.

Tilbehøret er kun konstruert for blåsing av gressplener, gangveier, asfaltveier og liknende.

Oversikt over tilbehør



1. Riggør
2. Luftinntaksskjerm
3. Viftehus
4. Luftdyse
5. Bruksanvisning

Symboler på utstyret og strømenheten



Uforsiktig eller feilaktig bruk av dette utstyret kan resultere i alvorlige skader eller dødsfall for brukeren eller andre.



Les bruksanvisningen nøye, og forsikre deg om at du forstår instruksjonene før du bruker utstyret.



Dette utstyret er i overensstemmelse med gjeldende EU-direktiver.



Dette produktet samsvarer med gjeldende britiske direktiver.



Bruk godkjent vern for hørsel, øyne og åndedrett.



Bruk godkjente vernehansker.



Støyutslipp til omgivelsene ifølge EFs direktiv. Utslippene fra tilbehøret er angitt i kapittelet Tekniske data og på klistremerket.



Brukeren av løvblåseren må sørge for at mennesker og dyr er minst 15 meter unna når løvblåseren er i bruk. Når flere arbeider på samme sted, skal sikkerhetsavstanden være minst 15 meter. Løvblåseren kan kaste gjenstander med stor kraft, og disse kan sprette tilbake. Dette kan føre til alvorlige øyeskader hvis ikke anbefalt verneutstyr brukes.



Løvblåseren kan kaste gjenstander med stor kraft, og disse kan sprette tilbake. Dette kan føre til alvorlige øyeskader hvis ikke anbefalt verneutstyr brukes.



Hold alltid mennesker og dyr på minst 15 meters avstand fra produktet.



Kapping av fingre eller hånd med vifteblad. Ikke åpne eller fjern sikkerhetsbeskyttelse eller -gitter mens motoren går.

Merk: Øvrige symboler/klistremerker på tilbehøret gjelder spesifikke krav for sertifiseringer på visse markeder.

Sikkerhet

Sikkerhetsdefinisjoner

Advarsler, oppfordringer og merknader brukes for å understreke spesielt viktige deler av bruksanvisningen.

for personskade eller død for føreren eller andre personer om instruksjonene i håndboken ikke følges.



ADVARSEL: Brukes hvis det er fare



OBS: Brukes hvis det er fare for skade på produktet og/eller tilbehør, annet materiell eller det nærliggende området hvis instruksjonene i bruksanvisningen ikke følges.

Merk: Brukes for å gi mer nødvendig informasjon for en spesifikk situasjon.

Generelle sikkerhetsinstruksjoner



ADVARSEL: Les de følgende sikkerhetsinstruksjonene før du bruker tilbehøret.

- Les nøye gjennom bruksanvisningen, og forstå innholdet før du bruker tilbehøret.
- Denne brukerhåndboken må leses sammen med brukerhåndboken for at strømforsyningsenheten skal få fullstendig brukerinformasjon.
- Den opprinnelige konstruksjonen til tilbehøret må ikke under noen omstendigheter endres uten

tillatelse fra produsenten. Ikke bruk et tilbehør som ser ut til å ha blitt modifisert av andre, og bruk alltid originalt tilleggsutstyr. Uautoriserte endringer og/eller tilleggsutstyr kan medføre alvorlige skader eller dødsfall for brukeren eller andre.

Sikkerhetsinstruksjoner for drift



ADVARSEL: Les de følgende advarselinstruksjonene før du bruker produktet.



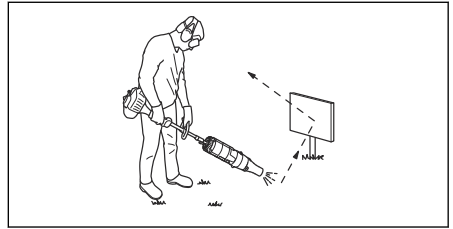
ADVARSEL: Dette produktet danner et elektromagnetisk felt når det er i bruk. Dette feltet kan under visse forhold forstyrre aktive eller passive medisinske implantater. For å redusere faren for forhold som kan føre til alvorlig eller livstruende skade, anbefaler vi at personer med medisinske implantater rådfører seg med sin lege og produsenten av det medisinske

implantatet før dette produktet tas i bruk.

- Bruk aldri produktet hvis du er trett, syk, har drukket alkohol eller bruker medisiner som kan påvirke syn, vurderingsevne eller kroppskontroll.
- Bruk aldri et defekt produkt.
- Samtlige deksler og beskyttelser må være montert før start. Hvis du har et bensindrevet produkt, må du påse at tennpluggchette og tenningskabel er uskadd for å unngå risiko for elektrisk støt.
- Brukeren av løvblåseren må sørge for at mennesker og dyr er minst 15 meter unna når løvblåseren er i bruk. Når flere arbeider på samme sted, skal sikkerhetsavstanden være minst 15 meter.
- Tillat aldri barn å bruke produktet.
- La aldri noen andre bruke produktet før du har forsikret deg om at de har lest og forstått innholdet i bruksanvisningen.
- Luftinntaksskjermen må aldri fjernes.
- Berør aldri tennpluggen eller tenningskabelen mens motoren er i gang. Du kan få elektrisk støt av å ta på tennpluggen eller pluggen.
- Kontakt alltid lokale myndigheter og sørg for at du følger gjeldende direktiver.
- Hold alle deler av kroppen borte fra varme overflater.
- Når du kommer ut for en situasjon som gjør deg usikker på fortsatt bruk, skal du rådføre deg med en ekspert. Henvend deg til din forhandler eller ditt serviceverksted. Unngå all bruk som du ikke føler deg kvalifisert til.
- Hold blåserørets munning så nær bakken som mulig. Bruk hele lengden av blåserøret for å holde luftstrømmen nær bakken.
- Bruk maskinen i vanlig arbeidstid for å unngå unødig forstyrrelse. Unngå å arbeide tidlig om morgenen og sent om kvelden.
- Vær oppmerksom på omgivelsene. Hvis noen nærmer seg arbeidsområdet, må du slippe gass-/effektutløseren til personen er på trygg avstand. Rett luftstrålen bort fra mennesker, dyr, lekeplasser, åpne vinduer, biler osv. Luftstrålen kan føre til at steiner, jord eller pinner blir slynget ut eller spretter tilbake

og kan skade mennesker eller dyr, knuse glass eller føre til andre skader.

- Stikk aldri hendene eller noen andre gjenstander inn i løvblåserhuset, ellers kan det roterende løpehjulet forårsake alvorlig skade.
- Hold den utvendige overflaten fri for olje og drivstoff.
- Bruk aldri maskinen til spredning av kjemikalier, kunstgjødsel eller andre stoffer som kan inneholde giftige komponenter.
- For å unngå spredning av ild må maskinen ikke brukes i nærheten av løv- eller buskbranner, ildsteder, griller, askebegre osv.
- Du må aldri spyle eller skylle apparatet med vann eller annen væske.
- Bruk alltid begge hendene til å holde i maskinen. Hold maskinen ved siden av kroppen.
- Hvis du har et bensindrevet produkt, må du la motoren kjøle seg ned før du fyller drivstoff.
- Den kraftige luftstrømmen kan forflytte gjenstander med en slik hastighet at de kan sprette tilbake og forårsake alvorlige øyeskader.



- Stopp motoren før montering eller demontering av tilbehør eller andre deler.
- Bruk aldri produktet i dårlig vær, for eksempel i tett tåke, kraftig regn, sterk vind, kraftig kulde osv. Det er slitsomt å arbeide i dårlig vær, og det kan skape farlige forhold, for eksempel glatt underlag.
- Sørg for at du kan gå og stå sikkert. Se etter eventuelle hinder ved uventet forflytting (røtter, steiner, greiner, groper, forhøyninger osv.). Vær meget forsiktig ved arbeid i skrånende terreng.



- Sett aldri produktet ned med motoren i gang uten at du har det under oppsikt.
- Hvis du har et bensindrevet produkt: Eksos fra forbrenningsmotorer inneholder karbonmonoksid, som kan gi forgiftning. Start

eller kjør derfor aldri produktet innendørs, eller der det er dårlig luftsirkulasjon.

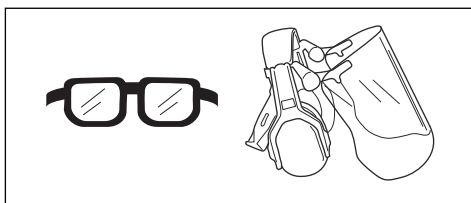
- Løvblåseren må ikke brukes i stiger eller på stillaser eller høyt over bakkeplan (f.eks. på tak). Slikt arbeid kan føre til alvorlig skade.



- Bruk aldri produktet uten mulighet til å kunne påkalle hjelp ved en ulykke.
- Plasser aldri gjenstander i luftinntaket, da dette kan føre til at luftstrømmen blokkeres og det oppstår skader på enheten.
- Sørg for at produktet ikke treffer gjerder, trær eller andre harde materialer. Dette kan føre til skade på maskinen og medføre alvorlig personskade.
- Vær alltid oppmerksom på varselsignaler eller tilrop ved bruk av hørselsvern. Ta alltid av hørselvernet så snart motoren er stanset.

advarselinstruksjonene før du bruker produktet.

- Benytt alltid godkjent verneutstyr når du bruker produktet. Verneutstyr kan aldri fullstendig forhindre skade, men det reduserer skadeomfanget hvis ulykken inntreffer. Spør forhandleren din om hjelp til å velge riktig utstyr.
- Bruk godkjent hørselsvern med tilstrekkelig lyddempende virkning. Langvarig eksponering for støy kan gi varige hørselsskader.
- Bruk godkjent øyevern. Ved bruk av visir skal det også brukes godkjente vernebriller. Godkjente vernebriller er slike som tilfredsstill standard ANSI Z87.1 for USA eller EN 166 for EU-land.

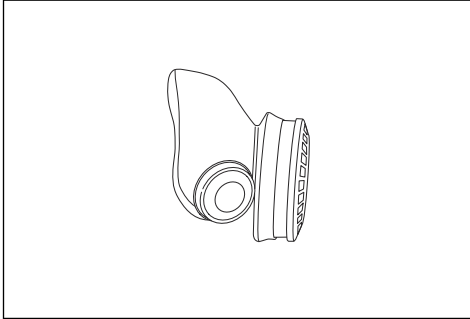


Personlig verneutstyr

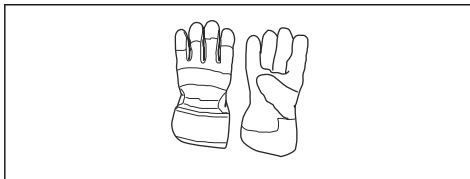


ADVARSEL: Les de følgende

- Bruk åndedrettsvern når det er risiko for støv.



- Bruk hansker når det er nødvendig, for eksempel når du fester, undersøker eller rengjør utstyret.



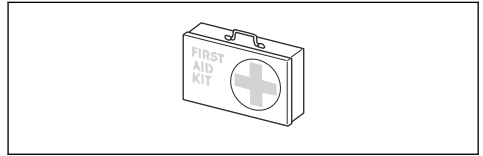
- Bruk sklisikre og solide støvler eller sko.



- Bruk klær av et slitesterkt materiale. Bruk alltid tykke langbukser og lange ermer. Unngå bruk av altfor vide klær som lett henger seg fast i kvister og grener. Ikke bruk smykker, kortbukser eller sandaler, og ikke gå

barbent. Sett håret opp over skuldernivå.

- Ha førstehjelpsutstyr for hånden.



Sikkerhetsinstruksjoner for vedlikehold



ADVARSEL: Les de følgende advarselinstruksjonene før du bruker produktet.

Utfør en generell inspeksjon av produktet før bruk. Se vedlikeholdsskjemaet.

Følg vedlikeholds- og serviceinstruksjonene i denne bruksanvisningen. Noen vedlikeholds- og servicetiltak må utføres av erfarne og kvalifiserte spesialister. Se instruksjonene under overskriften Vedlikehold.

Kontroller alltid om det finnes gjenstander som kan blokkere luftinntaksskjermen før du begynner å arbeide.

For å hindre skade på grunn av at produktet faller, skal montering og demontering gjennomføres nær bakken.

Drift

Slik bruker du tilbehøret

Merk: Vis hensyn til personer i omgivelsene ved å unngå å bruke maskinen på ugunstige tidspunkt, eksempelvis sent om kvelden eller tidlig om morgenen. Reduser støynivået ved å begrense antall maskiner som brukes samtidig. Les gjennom og følg de enkle rådene under for å forstyrre omgivelsene minst mulig.

1. Bruk rake eller kost for å løsne fastsittende avfall fra bakken.
2. Rengjør hjørner ved å starte i hjørnet og bevege deg utover. Dette hindrer oppsamling av rusk som kan fyke opp i ansiktet ditt.
3. Bruk løvblåseren med lavest mulig gasspådrag/hastighet. Det er sjelden nødvendig å bruke fullt gasspådrag/hastighet. Mange arbeidsmomenter kan utføres med halvt gasspådrag/hastighet. Lavere gasspådrag/hastighet innebærer mindre støy og støv. Det er også lettere å ha kontroll over det avfallet som skal samles sammen/flyttes.
4. Reduser blåsetiden ved å væte støvete områder eller ved å bruke sprøyteutstyr.

5. Reduser vannforbruket ved å bruke løvblåser i stedet for vannslange til ulike bruksområder rundt plenen og hagen, for eksempel terrasser, skjermer, rister, verandaer osv.
6. Vær forsiktig når du arbeider i nærheten av planter. Lufttrykket kan skade planter.
7. Hastigheten på luftstrålen reguleres ved hjelp av gass-/effektregulatoren. Velg den hastigheten som passer best for respektive bruk.
8. Vær oppmerksom på vindretningen. Arbeid i vindens retning for at arbeidet skal bli lettere.
9. Bruk av løvblåseren til å flytte store hauger er tidkrevende og skaper unødvendig støy.
10. Ha god balanse og sikkert fotfeste.
11. Hold avstand mellom røret og bakken for å unngå kontakt med bakken når du arbeider med produktet.
12. Rydd opp etter deg. Forviss deg om at du ikke har blåst avfall inn på annen matts eiendom. Kast avfall i avfallsbeholdere.
13. Etter avsluttet arbeid skal produktet oppbevares horisontalt.

Vedlikehold

Innledning

Nedenfor følger noen generelle vedlikeholdsinstruksjoner. Kontakt serviceverkstedet dersom du trenger ytterligere opplysninger.

Slik utfører du daglig vedlikehold på tilbehøret



ADVARSEL: Stans alltid motoren før du rengjør eller utfører vedlikehold på tilbehøret. Hvis du har et bensindrevet produkt, kobler du tenningskabelen fra tennpluggen. Hvis du har et batteridrevet produkt, tar du ut batteriet.

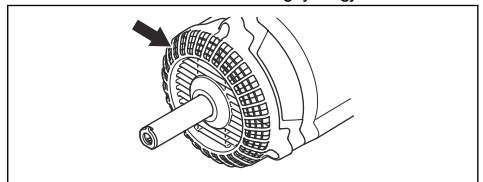


ADVARSEL: Hold alle deler av kroppen borte fra varme overflater.

1. Vask overflaten av løvblåseren.
2. Kontroller at alle husene er fri for sprekker.
3. Sørg for at produktet er i perfekt stand.
4. Kontroller at alle mutre og skruer er trukket til.
5. Rengjør etikettene med en myk klut tilsatt et mildt rengjøringsmiddel.

Kontroll av luftinntaksskjermen

1. Kontroller at luftinntaket ikke blokkeres av eksempelvis løv eller avfall. Et tilstoppet luftinntak reduserer produktets blåsekapasitet og øker motorens arbeidstemperatur, hvilket kan medføre motorhavari. Stans motoren og fjern gjenstanden.



Transport, oppbevaring og avhending

Transport og oppbevaring

Gjør følgende etter hver gangs bruk:

- La apparatet få avkjøle seg før lagring eller transport.
- Lagre apparatet på et høyt, kjølig og tørt sted innendørs, som er utilgjengelig for barn.

- Vask enheten.
- Kontroller utstyret for å se at ingen deler er løse eller skadde. Stram til eventuelle løse skruer.
- Skift ut alle skadede, slitte eller ødelagte deler.
- Ved begynnelsen av neste sesong må det kun benyttes nytt drivstoff med den riktige blandingen av bensin og olje.

Lagring etter sesongen

Klargjør tilbehøret for lagring ved slutten av sesongen eller dersom den ikke skal brukes på 30 dager eller mer. Dersom løvblåseren skal lagres for en periode:

Tekniske data

Tekniske data for bensindrevne produkter

BA101	
Vekt	
Vekt, kg	1,9
Støynivå	
Lydeffektnivå, målt dB (A)	109
Lydeffektnivå, garantert L_{WA} dB (A)	112
Lydnivåer⁹⁹	
Ekvivalent lydtrykksnivå ved brukerens øre, målt etter EN15503 dB(A)	99
Vibrasjonsnivåer¹⁰⁰	
Ekvivalente vibrasjonsnivåer ($a_{hv,eq}$) i håndtak, målt i henhold til EN 15503, m/s^2	
Fremre/bakre håndtak:	5,6/8,3
Vifteeffekt¹⁰¹	
Maks. lufthastighet ved standardmunnstykke, m/s:	66
Luftmengde med standardmunnstykke, m^3/min	15

⁹⁹ Verdien for ekvivalent lydtrykksnivå beregnes basert på en arbeidssyklus med en varighet på 1/7 for tomgang og 6/7 for kjøring. Rapporterte data for ekvivalent lydtrykksnivå for maskinen har en typisk statistisk spredning (standard avvik) på 1 dB(A).

¹⁰⁰ Verdien for ekvivalent vibrasjonsnivå beregnes basert på en arbeidssyklus med en varighet på 1/7 for tomgang og 6/7 for kjøring. Rapporterte data for ekvivalent vibrasjonsnivå har en typisk statistisk spredning (standardavvik) på 1 m/s^2 .

¹⁰¹ Sammen med motorenheten 525LK/GC2225C.

Tekniske data for batteridrevne produkter

325iLK + Blower attachment BA101	
Vekt	
Vekt, kg	2,3 + +1,9
Støynivå ¹⁰²	
Lydeffektnivå, målt dB (A)	103
Lydeffektnivå, garantert L _{WA} dB (A)	106
Lydnivåer ¹⁰³	
Lydtrykknivå ved brukerens øre, målt i henhold til ISO 26868 dB(A)	
Utstyrt med godkjent tilbehør (originalt), db (A)	93
Vibrasjonsnivåer ¹⁰⁴	
Vibrasjonsnivåer i håndtak, målt i henhold til EN 62841-1, m/s ²	
Utstyrt med godkjent tilbehør (originalt), venstre/høyre m/s	1,6/1,1
Vifteeffekt ¹⁰⁵	
Luftmengde i normal modus med standardmunnstykke, m ³ /min	14
Maksimal lufthastighet i normal modus med standardmunnstykke, m/s:	52

¹⁰² Utslipp av støy til omgivelsene målt som lydeffekt (L_{WA}) samsvarer med EF-direktiv 2000/14/EF. Rapporterte lydeffektnivåer for maskinen er målt med det originale skjæreutstyret som gir høyest nivå. Forskjellen mellom garantert og målt lydeffekt er at garantert lydeffekt også omfatter spredning i måleresultatet og variasjoner mellom forskjellige maskiner av samme modell, i henhold til direktivet 2000/14/EF.

¹⁰³ Rapporterte data for lydtrykknivå for maskinen har en typisk statistisk spredning (standardavvik) på 3 dB (A) og er målt med originaltilbehør som gir det høyeste nivået. Målt sammen med 325iLK-motorenheten.

¹⁰⁴ Rapporterte data for vibrasjonsnivå har en typisk statistisk spredning (standardavvik) på 2 m/s². Bruk vibrasjonskalkulatoren for å sammenligne vibrasjonsnivåer, batteri- og bensindrevne produkter. Se <https://www.husqvarna.com/uk/services-solutions/vibration-calculator/>. Målt sammen med 325iLK-motorenheten.

¹⁰⁵ Målt sammen med 325iLK-motorenheten.

Samsvarserklæring

EU-samsvarserklæring

Vi, **Husqvarna AB**, SE-561 82 Huskvarna, Sverige, tlf.:
+46 36 146500, erklærer på eget ansvar at produktet:

Beskrivelse	Blåsertilbehør
Merke	Husqvarna
Type/modell	BA101
ID	Serienumre datert 2022 og senere

fullstendig overholder følgende EU-direktiver og
-forskrifter:

Regulering	Beskrivelse
2006/42/EC	«angående maskiner»
2000/14/EC	«angående utslipp av støy til omgivelsene»
2011/65/EU	«om begrensning av bruk av visse farlige stoffer i elektrisk og elektronisk utstyr»

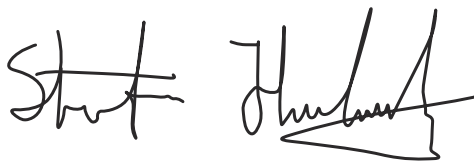
og at følgende standarder og/eller tekniske
spesifikasjoner er anvendt: EN15503:2009+A2:2015, EN
ISO 12100:2021, EN IEC 63000:2018.

RISE SMP Svensk Maskinprovning AB, Box 7035,
SE-750 07 Uppsala, Sweden har utført frivillig
typeprøving på vegne av Husqvarna AB.

Sertifikatnummer: SEC/15/2416 – Husqvarna BA101.

For informasjon som gjelder støyutslipp, kan du se
Tekniske data på side 195.

Huskvarna, 2022-05-09



Stefan Holmberg, FoU-direktør, teknologiledelse,
Husqvarna AB

Ansvarlig for teknisk dokumentasjon



EU-samsvarserklæring

Vi, **Husqvarna AB**, SE-561 82 Huskvarna, Sverige, tlf.:
+46 36 146500, erklærer på eget ansvar at produktet:

Beskrivelse	Blåsertilbehør med strømaggregat Husqvarna325iLK
Merke	Husqvarna
Type/modell	BA101
ID	Serienumre datert 2022 og senere

fullstendig overholder følgende EU-direktiver og
-forskrifter:

Regulering	Beskrivelse
2006/42/EC	«angående maskiner»
2000/14/EC	«angående utslipp av støy til omgivelsene»
2011/65/EU	«om begrensning av bruk av visse farlige stoffer i elektrisk og elektronisk utstyr»

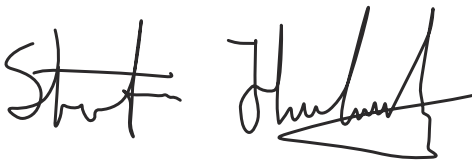
og at følgende standarder og/eller tekniske
spesifikasjoner er anvendt: IEC 60335-2-100, EN IEC
63000:2018.

RISE SMP Svensk Maskinprovning AB, Box
7035, SE-750 07 Uppsala, Sweden har utført
frivillig typeprøving på vegne av Husqvarna AB.
Sertifikatnummer: SEC/15/2416 – Husqvarna BA101.

RISE SMP Svensk Maskinprovning AB, Box 7035,
SE-750 07 Uppsala, Sweden har også bekreftet
samsvar med vedlegg V i rådsdirektiv 2000/14/EF.
Sertifikatnummer: 01/012/014.

For informasjon som gjelder støyutslipp, kan du se
Tekniske data på side 195.

Huskvarna, 2022-05-09



Stefan Holmberg, FoU-direktør, teknologiledelse,
Husqvarna AB

Ansvarlig for teknisk dokumentasjon



SPIS TREŚCI

Wstęp.....	199	Transport, przechowywanie i utylizacja.....	208
Bezpieczeństwo.....	200	Dane techniczne.....	208
Przeznaczenie.....	207	Deklaracja zgodności.....	211
Przegląd.....	207		

Wstęp

Opis produktu

Nieustannie modernizujemy swoje wyroby, w związku z czym zastrzegamy sobie prawo do wprowadzania zmian dotyczących m.in. wyglądu produktów bez uprzedzenia.

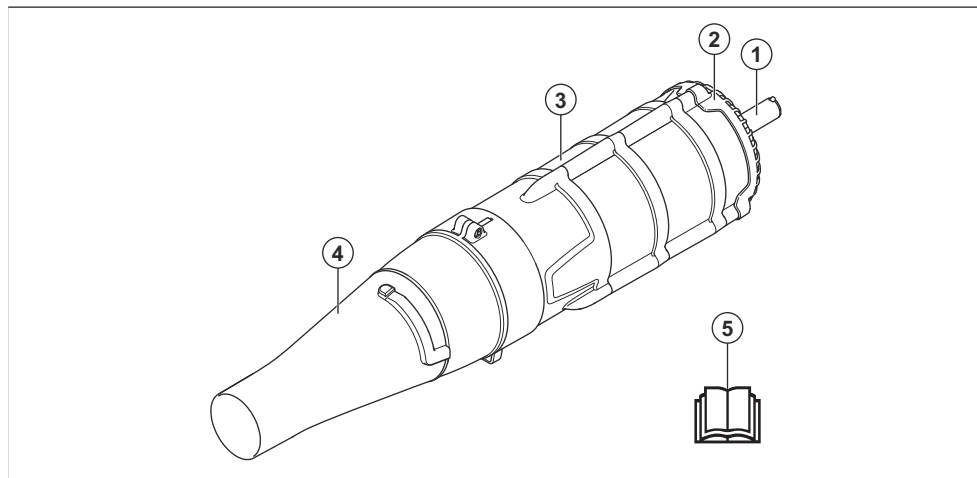
Uwaga: Niniejsza instrukcja obejmuje zarówno zespoły napędowe zasilane benzyną, jak i akumulatorem.

Przeznaczenie



OSTRZEŻENIE: Tego osprzętu można używać

Przegląd osprzętu



1. Wysięgnik
2. Siatko wlotu powietrza
3. Obudowa wentylatora
4. Dysza powietrza
5. Podręcznik użytkownika

wyłącznie z odpowiednią jednostką napędową. Patrz rozdział dotyczący akcesoriów w instrukcji obsługi jednostki napędowej.

Osprzęt jest przeznaczony wyłącznie do zdmuchiwania zanieczyszczeń z trawników, ścieżek, drózek asfaltowych itp.

Symbole na osprzęcie i na zespole napędowym



Nieuważne lub nieprawidłowe posługiwanie się osprzętem może być przyczyną poważnych obrażeń lub śmierci obsługującego bądź innych osób.



Uważnie przeczytać instrukcję obsługi i przed użyciem osprzętu upewnić się, że wszystkie wskazówki są zrozumiałe.



Niniejszy osprzęt jest zgodny z obowiązującymi dyrektywami wspólnoty europejskiej.



Ten produkt jest zgodny z przepisami obowiązującymi w Wielkiej Brytanii.



Stosować zatwierdzone środki ochrony słuchu, oczu i dróg oddechowych.



Nosić rękawice ochronne.



Emisja hałasu zgodna z Dyrektywą Wspólnoty Europejskiej. Hałas emitowany przez osprzęt jest określony w rozdziale „Dane techniczne” oraz na tabliczce znamionowej.



Użytkownik dmuchawy jest zobowiązany dopilnować, aby żadne osoby postronne ani zwierzęta nie znajdowały się w odległości mniejszej niż 15 m. Wymóg 15-metrowej bezpiecznej odległości ma również zastosowanie w przypadku, gdy kilku operatorów pracuje w tym samym miejscu. Dmuchawa jest w stanie odrzucać z dużą siłą przedmioty, które mogą odbić się z powrotem. Jeżeli nie jest stosowane zalecane wyposażenie ochronne, może to doprowadzić do poważnych urazów oczu.



Dmuchawa jest w stanie odrzucać z dużą siłą przedmioty, które mogą odbić się z powrotem. Jeżeli nie jest stosowane zalecane wyposażenie ochronne, może to doprowadzić do poważnych urazów oczu.



W czasie pracy użytkownik produktu jest zobowiązany dopilnować, aby żadne osoby ani zwierzęta nie znajdowały się bliżej niż w odległości 15 m.



Obciąć dłoń lub palców przez noże wentylatora. Nie otwierać ani nie demontować osłon bezpieczeństwa ani siatek podczas pracy silnika.

Uwaga: Pozostałe symbole/naklejki samoprzylepne umieszczone na osprzęcie tnącym dotyczą specjalnych wymogów, związanych z certyfikatami w poszczególnych krajach.

Bezpieczeństwo

Definicje dotyczące bezpieczeństwa

Ostrzeżenia, uwagi i informacje są używane do zwrócenia

uwagi na szczególnie ważne sekcje instrukcji obsługi.



OSTRZEŻENIE: Stosując się, gdy istnieje

ryzyko poważnych obrażeń lub śmierci operatora albo osób postronnych w wyniku nieprzestrzegania instrukcji obsługi.



UWAGA: Stosuj się, gdy istnieje ryzyko uszkodzenia produktu i/lub przystawki, innych materiałów lub otoczenia w wyniku nieprzestrzegania instrukcji obsługi.

Uwaga: Stosuj się, aby przekazać więcej informacji, które są przydatne w danej sytuacji.

Ogólne zasady bezpieczeństwa



OSTRZEŻENIE: Przed rozpoczęciem użytkowania osprzętu zapoznaj się z następującymi zasadami bezpieczeństwa.

- Uważnie przeczytaj instrukcję obsługi i przed użyciem osprzętu upewnij się, że

wszystkie wskazówki zostały zrozumiane.

- Przeczytaj niniejszą instrukcję obsługi wraz z instrukcją obsługi jednostki napędowej. Pozwoli to uzyskać komplet informacji.
- Pod żadnym pozorem nie zmieniaj ani modyfikuj fabrycznej konstrukcji osprzętu bez zezwolenia wydanego przez producenta. Nie używaj osprzętu, który wydaje się zmodyfikowany przez inne osoby. Zawsze stosuj oryginalne akcesoria. Samowolne wprowadzanie zmian oraz/lub montowanie wyposażenia niezatwierdzonego przez producenta może stać się przyczyną groźnych obrażeń lub śmierci obsługującego urządzenie bądź innych osób.

Instrukcje bezpieczeństwa dotyczące obsługi



OSTRZEŻENIE: Przed rozpoczęciem użytkowania produktu zapoznaj się z poniższymi ostrzeżeniami.



OSTRZEŻENIE: Niniejszy produkt

podczas pracy wytwarza pole elektromagnetyczne. W pewnych okolicznościach pole to może zakłócać pracę aktywnych lub pasywnych implantów medycznych. Przed przystąpieniem do pracy z produktem, w celu ograniczenia ryzyka poważnych lub śmiertelnych obrażeń, osoby posiadające implanty medyczne powinny skonsultować się z lekarzem oraz ich producentem.

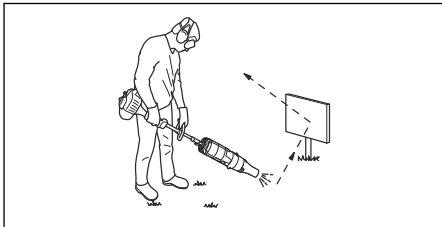
- Nigdy nie używaj produktu w stanie zmęczenia, podczas choroby, po spożyciu alkoholu lub innych środków odurzających bądź po zażyciu leków, które wpływają na wzrok, zdolność oceny sytuacji lub koordynację ruchów.
- Nie używaj produktu, jeśli jest uszkodzony.
- Przed uruchomieniem zamontuj wszystkie osłony i pokrywy. W przypadku urządzeń napędzanych benzyną: w celu

wyeliminowania ryzyka porażenia prądem sprawdź, czy fajka świecy i przewód zapłonowy nie są uszkodzone.

- Użytkownik dmuchawy jest zobowiązany dopilnować, aby żadne osoby postronne ani zwierzęta nie znajdowały się w odległości mniejszej niż 15 m. Wymóg 15-metrowej bezpiecznej odległości ma również zastosowanie w przypadku, gdy kilku operatorów pracuje w tym samym miejscu.
- Nigdy nie pozwalaj używać produktu dzieciom.
- Produkt mogą obsługiwać wyłącznie osoby, które wcześniej dokładnie zapoznały się z niniejszą instrukcją obsługi.
- Nigdy nie demontuj sitka wlotu powietrza.
- Nigdy nie wolno dotykać świecy zapłonowej lub przewodu zapłonowego, podczas gdy silnik pracuje. Dotknięcie świecy zapłonowej lub korka może skutkować porażeniem prądem.
- Zawsze kontaktuj się z miejscowym dealerem Husqvarny i upewnij się, czy postępujesz zgodnie z zalecanymi wskazaniem.

- Trzymaj wszystkie części ciała z dala od powierzchni gorących.
- Jeżeli znajdziesz się w sytuacji, w której nie jesteś pewny prawidłowości dalszego sposobu postępowania, zasięgnij porady eksperta. Zwróć się do swojego dealera lub warsztatu obsługi technicznej. Nie podejmuj się pracy, gdy uważasz, że nie masz wystarczających kwalifikacji.
- Trzymaj końcówkę rury nadmuchowej możliwie najbliżej ziemi. Należy wykorzystywać całą długość rury nadmuchowej tak, aby utrzymywać strumień powietrza blisko podłoża.
- Aby uniknąć niepotrzebnego hałasu, używaj maszyny podczas normalnych godzin pracy. Unikaj pracy wcześniej rano oraz późno w nocy.
- Uwważaj na otoczenie. Jeżeli ktoś zbliża się do miejsca, w którym pracujesz, puść przepustnicę lub manetkę gazu do chwili, gdy osoba ta znajdzie się w bezpiecznej odległości. Kieruj strumień wydmuchu odpadów tak, aby nie był skierowany w stronę ludzi, zwierząt, placów zabaw, otwartych okien i samochodów itp. Siła wydmuchu może spowodować, że kamienie, brud lub patyki zostaną odrzucone lub odbite rykoszetem, co może spowodować obrażenia osób lub zwierząt, a także wybić szyby lub spowodować inne szkody
- Aby uniknąć poważnych obrażeń spowodowanych działaniem obracającego się wirnika, nigdy nie wkładaj rąk ani żadnych przedmiotów do obudowy dmuchawy.
- Chronь powierzchnię urządzenia przed zabrudzeniem olejem lub paliwem.
- Nigdy nie stosuj urządzenia do rozpylania środków chemicznych, nawozów lub innych substancji, które mogą zawierać toksyczne składniki.
- Aby uniknąć rozprzestrzeniania się ognia, nie stosuj urządzenia w pobliżu miejsc palenia liści lub zgarniętych śmieci, w pobliżu kominków, stanowisk do grillowania, popielniczek itp.
- Nigdy nie zamaczaj ani nie wypełniaj końcówek wodą ani innym płynem.

- Urządzenie zawsze trzymaj obiema rękami. Trzymaj maszynę z boku tułowia.
- W przypadku urządzeń napędzanych benzyną, przed uzupełnieniem paliwa należy zaczekać, aż silnik ostygnie.
- Silny strumień powietrza jest w stanie zdmuchiwać przedmioty z tak dużą siłą, że mogą one odbić się rykoszetem i spowodować obrażenie oczu.



- Wyłącz silnik, zanim przystąpisz do zakładania lub zdejmowania akcesoriów lub innych części.
- Nie używaj produktu w złych warunkach atmosferycznych, np. w czasie gęstej mgły, dużych opadów, silnego wiatru, dużego mrozu itp. Praca przy złej pogodzie powoduje zmęczenie i wiąże się z dodatkowymi zagrożeniami, np. śliskim podłożem.
- Zapewnij sobie bezpieczne poruszanie i pozycję przy pracy. Przy poruszaniu się po powierzchni roboczej uważaj

na ewentualne przeszkody (korzenie, głązy, gałęzie, doły, rowy itp.). Zachowaj szczególną ostrożność podczas pracy na terenie pochyłym.



- Nigdy nie pozostawiaj urządzenia z włączonym silnikiem bez nadzoru.
- W przypadku urządzeń napędzanych benzyną: spaliny zawierają tlenek węgla, który może powodować zatrucie. Dlatego nigdy nie uruchamiaj produktu w pomieszczeniach lub w miejscach o słabej wentylacji.
- Nie używaj dmuchawy podczas prac na drabinie lub rusztowaniu, a także w miejscach położonych na wysokości (np. na dachach). Nieprzestrzeżenie tego zalecenia można doprowadzić do poważnych obrażeń ciała.



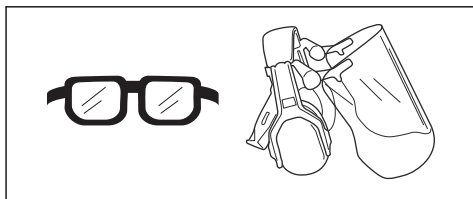
z poniższymi
ostrzeżeniami.

- Nigdy nie używaj urządzenia, jeśli nie masz możliwości wezwania pomocy w razie wypadku.
- Zabrania się wkładania jakichkolwiek obiektów do wlotu powietrza — może to ograniczyć prawidłowy przepływ powietrza oraz spowodować uszkodzenie urządzenia.
- Produkt nie powinien uderzać w płyty, drzewa lub inne twarde powierzchnie. W przeciwnym razie może dojść do uszkodzenia produktu oraz poważnych obrażeń ciała.
- Mając założone ochronniki słuchu należy zawsze szczególnie uważać na sygnały i zawołania ostrzegawcze. Ochronniki słuchu należy zdejmować zaraz po wyłączeniu silnika.
- Podczas używania produktu zawsze nosić na sobie zatwierdzone środki ochrony osobistej. Środki ochrony osobistej nie eliminują ryzyka odniesienia obrażeń, ograniczają natomiast ich rozmiar w razie zaistnienia wypadku. Skorzystaj z pomocy dealera przy wyborze odpowiedniego sprzętu.
- Stosować ochronnik słuchu o wystarczających właściwościach tłumiących. Długotrwałe przebywanie w hałasie może doprowadzić do trwałej utraty słuchu.
- Stosuj atestowane środki ochrony oczu. Używając maski ochronnej twarzy, nosić także zatwierdzone okulary ochronne. Za zatwierdzone okulary ochronne uważane są takie, które są zgodne z normami ANSI Z87.1 dla USA lub EN 166 dla krajów UE.

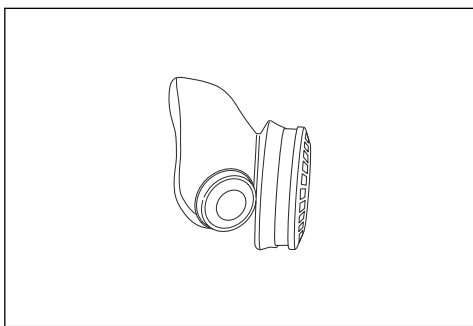
Środki ochrony osobistej



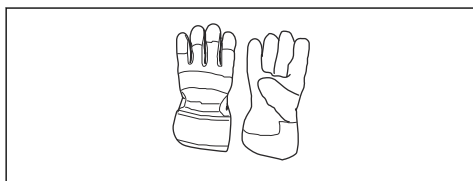
OSTRZEŻENIE:
Przed rozpoczęciem
użytkowania produktu
zapoznaj się



- Jeśli istnieje ryzyko powstawania pyłu, załóż także środki ochrony dróg oddechowych.



- W razie potrzeby, na przykład podczas mocowania, badania czy czyszczenia narzędzi tnących, stosuj rękawice ochronne.



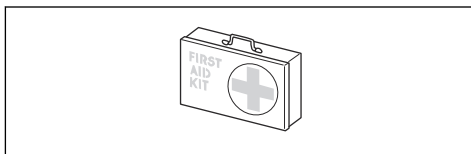
- Nosić mocne, przeciwpoślizgowe, wysokie obuwie ochronne lub robocze.



- Noś odzież wykonaną z mocnego materiału. Noś odzież z długimi nogawkami i długimi rękawami, wykonaną

z mocnego materiału. Luźne części odzieży mogą zahaczyć o krzewy lub gałęzie. Nie noś biżuterii, krótkich spodni ani sandałów i nie pracuj z odsłoniętymi stopami. Związuj włosy w sposób bezpieczny powyżej poziomu barków.

- Zawsze miej pod ręką apteczkę pierwszej pomocy.



Instrukcje bezpieczeństwa dotyczące konserwacji



OSTRZEŻENIE:

Przed rozpoczęciem użytkowania produktu zapoznaj się z następującymi ostrzeżeniami.

Przed użyciem maszyny dokonaj jej ogólnego przeglądu. Patrz plan konserwacji.

Stosuj się do instrukcji dotyczących konserwacji, kontroli i obsługi technicznej podanych w niniejszej instrukcji obsługi. Niektóre czynności konserwacyjne i obsługowe muszą być wykonane przez przeszkolonego

i wykwalifikowanego specjalistę. Patrz wskazówki w części zatytułowanej „Konserwacja”.

Zawsze przed rozpoczęciem pracy sprawdzaj, czy sitko wlotu powietrza nie jest blokowane przez ciała obce.

Aby zapobiec uszkodzeniu na skutek upadku, montaż i demontaż powinien być wykonywany na niewielkiej wysokości nad podłożem.

Przeznaczenie

Korzystanie z osprzętu

Uwaga: Okazuj należyny wzgląd ludziom zamieszkującym wokół i nie używaj maszyny o nieodpowiednich porach, np. późnym wieczorem lub wczesnym ranem. Poziom hałas można zmniejszyć przez ograniczenie ilości jednocześnie pracujących urządzeń. Przeczytaj poniższe, proste rady i stosuj się do nich, aby w możliwie najmniejszym stopniu przyczynić się do zakłócania spokoju w okolicy.

1. Używaj grabi lub miotły w celu oczyszczenia śmieci, które przylgły do podłoża.
2. Czyść narożniki, zaczynając od rogów i przechodząc dalej, na zewnątrz. Pomoże to ochronić twarz przed ewentualnym zdmuchnięciem nagromadzonego lekkiego gruzu.
3. Pracuj dmuchawą na możliwie najmniejszych obrotach silnika. Stosowanie najwyższych obrotów rzadko jest konieczne. Wiele prac można wykonać przy średnich obrotach silnika. Im mniejsze obroty silnika, tym mniejszy hałas i mniej pyłu. Łatwiej jest także kontrolować zbieranie lub zdmuchiwanie śmieci.
4. W wypadku miejsc zakurzonych należy je lekko zwilżyć lub korzystać z urządzeń spryskujących.

5. Zmniejsz zużycie wody przez użycie dmuchaw zamiast węży z wodą dla różnych miejsc wokół trawnika oraz ogrodu takich jak ogrodzenia, osłony, grille, ganki itp.
6. Zachowaj ostrożność przy pracy w pobliżu roślin. Siła strumienia powietrza może uszkodzić delikatne rośliny.
7. Prędkość strumienia powietrza jest regulowana za pomocą przepustnicy lub manetki gazu. Dostosuj prędkość do potrzeb i charakteru pracy.
8. Weź pod uwagę aktualny kierunek wiatru. Aby praca przebiegała sprawnie, pracuj zgodnie z wiatrem.
9. Stosowanie dmuchawy do przemieszczania dużych stert liści lub śmieci jest mało efektywne i powoduje zbyt duży hałas.
10. Utrzymuj dobrą równowagę i mocne oparcie dla stóp.
11. Podczas pracy produktu rura nie powinna stykać się z podłożem.
12. Posprzątaj po sobie po zakończeniu pracy. Upewnij się, czy nie zdmuchnąłeś śmieci na cudzy teren. Wyzuć odpadki do pojemników na śmieci.
13. Po zakończeniu pracy należy przechowywać maszynę poziomo.

Przegląd

Wstęp

<:fc 2>Poniżej podano kilka ogólnych zasad konserwacji.<:/fc> Jeśli potrzebujesz dodatkowych informacji, skontaktuj się z warsztatem obsługi technicznej.

Konserwacja produktu



OSTRZEŻENIE: Wyłącz silnik przed przystąpieniem do

czyszczenia osprzętu tnącego. W przypadku urządzeń napędzanych benzyną zdejmij przewody ze świecy zapłonowej. W przypadku urządzeń z napędem

akumulatorowym wyjmij akumulator.



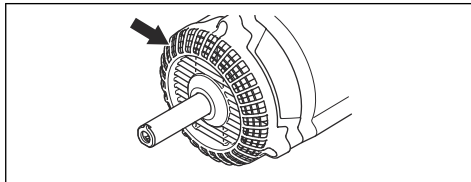
OSTRZEŻENIE: Trzymaj wszystkie części ciała z dala od powierzchni gorących.

1. Oczyszczyć zewnętrzną powierzchnię dmuchawy.
2. Upewnić się, że obudowa nie jest popękana.
3. Upewnić się, że produkt działa prawidłowo.
4. Upewnić się, że wszystkie nakrętki i śruby są dokręcone.

5. Wyczyścić etykiety za pomocą miękkiej ściereczki i delikatnego detergentu.

Sprawdzanie sitka wlotu powietrza.

1. Sprawdź ze wszystkich stron, czy wloty powietrza nie są zatkane, np. przez liście lub śmieci. Zatkany wlot powietrza zmniejsza wydajność produktu oraz powoduje podwyższenie temperatury silnika, co może doprowadzić do jego awarii. Wyłącz silnik i oczyść wlot powietrza.



Transport, przechowywanie i utylizacja

Transport i przechowywanie

Po każdym użyciu należy wykonać następujące czynności:

- Przed odłożeniem do magazynu lub transportem odczekać, aż osprzęt ostygnie.
- Urządzenie należy przechowywać w suchym i chłodnym pomieszczeniu, z dala od dzieci.

Przechowywanie sezonowe

Pod koniec sezonu lub w przypadku nieużywania przez okres 30 dni lub dłużej końcówkę należy przygotować

do przechowywania. Jeśli końcówka do dmuchawy ma być przechowywana przez dłuższy okres:

- Oczyszczyć urządzenie.
- Sprawdź urządzenie pod kątem wszelkich poluzowanych lub uszkodzonych części. Dokręć wszelkie poluzowane śruby.
- Wymień wszystkie uszkodzone, zużyte lub zniszczone części.
- W nowym sezonie naley nowego paliwa, pamiętając o przygotowaniu mieszanki paliwa o odpowiednich proporcjach benzyny do oleju.

Dane techniczne

Dane techniczne dot. urządzeń napędzanych benzyną

BA101	
Waga	
Waga, kg	1,9
Emisje hałasu	
Zmierzony poziom mocy akustycznej, w dB(A)	109
Poziom głośności, gwarantowana moc akustyczna [L _{WA} dB(A)]	112
Poziomy głośności¹⁰⁶	
Równoważny poziom ciśnienia akustycznego przy uchu operatora, mierzony zgodnie z EN15503, dB(A)	99

¹⁰⁶ Wartość równoważnego poziomu ciśnienia dźwięku jest obliczana dla cyklu roboczego obejmującego 1/7 biegu jałowego i 6/7 biegu roboczego. Odnotowane dane dotyczące równoważnego ciśnienia akustycznego urządzenia wykazują typowe rozproszenie statystyczne (odchylenie standardowe) w wysokości 1 dB(A).

BA101	
Poziomy wibracji ¹⁰⁷	
Równoważne poziomy drgań uchwytów ($a_{hv,eq}$), zmierzone zgodnie z normami: EN 15503, m/s^2	
Uchwyt przedni/tylny:	5,6/8,3
Wydajność pracy wentylatora ¹⁰⁸	
Maks. prędkość powietrza dla standardowej końcówki wylotowej, m/s:	66
Przepływ powietrza dla standardowej końcówki wylotowej, m^3/min	15

Dane techniczne dot. urządzeń akumulatorowych

325iLK + Blower attachment BA101	
Waga	
Waga, kg	2,3+1,9
Emisje hałasu ¹⁰⁹	
Zmierzony poziom mocy akustycznej, w dB(A)	103
Poziom głośności, gwarantowana moc akustyczna [L_{WA} dB(A)]	106
Poziomy głośności ¹¹⁰	
Poziom ciśnienia akustycznego przy uchu operatora zmierzony zgodnie z normą ISO 26868, w dB(A)	
W zestawie zatwierdzone akcesoria (oryginalne) dB (A)	93
Poziomy wibracji ¹¹¹	
Poziomy drgań uchwytów mierzone zgodnie z normą EN 62841-1, m/s^2	
W zestawie zatwierdzone akcesorium (oryginalne), lewe/prawe, m/s	1,6/1,1
Wydajność pracy wentylatora ¹¹²	
Przepływ powietrza w normalnym trybie dla standardowej dyszy, m^3/min	14

¹⁰⁷ Wartość równoważnego poziomu drgań jest obliczana dla cyklu roboczego obejmującego 1/7 biegu jałowego i 6/7 biegu roboczego. Odnotowane dane dotyczące równoważnego poziomu wibracji wykazują typowe rozproszenie statystyczne (odchylenie standardowe) w wysokości 1 m/s^2 .

¹⁰⁸ Łącznie z silnikiem 525LKG/C2225C.

¹⁰⁹ Emisję hałasu do otoczenia zmierzono jako moc akustyczną (L_{WA}), zgodnie z dyrektywą WE 2000/14/WE. Odnotowany poziom ciśnienia akustycznego dla maszyny został zmierzony z oryginalnym osprzętem tnącym, takim który daje najwyższy poziom hałasu. Różnica pomiędzy gwarantowanym a zmierzonym poziomem ciśnienia akustycznego wynika z tego, że poziom gwarantowany zawiera także rozproszenie w wynikach pomiaru oraz różnice pomiędzy różnymi typami maszyn tego samego modelu zgodnie z Dyrektywą 2000/14/EC.

¹¹⁰ Odnotowane dane dotyczące poziomu ciśnienia akustycznego urządzenia wykazują typowe rozproszenie statystyczne (odchylenie standardowe) w wysokości 3 dB(A) i zostały zmierzone z oryginalnym osprzętem, który daje najwyższy poziom. Zmierzone łącznie z silnikiem 325iLK.

¹¹¹ Odnotowane dane dla poziomu wibracji mają typowe rozproszenie statystyczne (odchylenie standardowe) w wysokości 2 m/s^2 . Do porównywania poziomu drgań, akumulatorów i produktów spalania służy kalkulator drgań. Więcej informacji można znaleźć na stronie <https://www.husqvarna.com/uk/services-solutions/vibration-calculator/>. Zmierzone łącznie z silnikiem 325iLK.

¹¹² Zmierzona łącznie z silnikiem 325iLK.

325iLK + Blower attachment BA101

Maksymalna prędkość przepływu powietrza w normalnym trybie dla standardowej dyszy, m/s:

52

Deklaracja zgodności

Deklaracja zgodności UE

Firma **Husqvarna AB**, SE-561 82 Huskvarna,
Szwecja, tel.: +46-36-146500, deklarujemy z pełną
odpowiedzialnością, że produkt:

Opis	Dmuchawa - przystawka
Marka	Husqvarna
Typ/model	BA101
Identyfikacja	Numery seryjne z roku 2022 i nowsze

spełnia wszystkie wymogi określone w odpowiednich
dyrektywach i przepisach UE:

Przepis	Opis
2006/42/WE	„w sprawie maszyn”
2000/14/WE	„dotycząca emisji hałasu do środowiska”
2011/65/UE	„dotycząca ograniczenia użycia niektórych substancji niebezpiecznych w sprzęcie elektrycznym i elektronicznym”

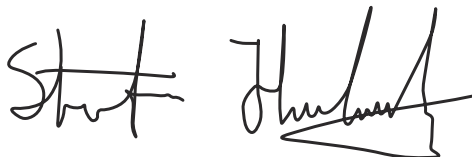
oraz został zaprojektowany zgodnie z następującymi
normami i specyfikacjami technicznymi:
EN15503:2009+A2:2015, EN ISO 12100:2021, EN IEC
63000:2018.

Dobrowolna kontrola homologacyjna na rzecz
Husqvarna AB została przeprowadzona przez RISE
SMP Svensk Maskinprovning AB, Box 7035, SE-750 07
Uppsala, Sweden.

Numer certyfikatu: SEC/15/2416 – Husqvarna BA101.

Informacje dotyczące emisji hałasu, patrz *Dane
techniczne na stronie 208*.

Huskvarna, 2022-05-09



Stefan Holmberg, Dyrektor ds. badań i rozwoju,
Zarządzanie technologią, Husqvarna AB

Osoba odpowiedzialna za dokumentację techniczną



Deklaracja zgodności UE

Firma **Husqvarna AB**, SE-561 82 Huskvarna,
Szwecja, tel.: +46-36-146500, deklarujemy z pełną
odpowiedzialnością, że produkt:

Opis	Dmuchawa - przystawka z zespołem napędowym Husqvarna 325iLK
Marka	Husqvarna
Typ/model	BA101
Identyfikacja	Numery seryjne z roku 2022 i nowsze

spełnia wszystkie wymogi określone w odpowiednich
dyrektywach i przepisach UE:

Przepis	Opis
2006/42/WE	„w sprawie maszyn”
2000/14/WE	„dotycząca emisji hałasu do środowiska”
2011/65/UE	„dotycząca ograniczenia użycia niektórych substancji niebezpiecznych w sprzęcie elektrycznym i elektronicznym”

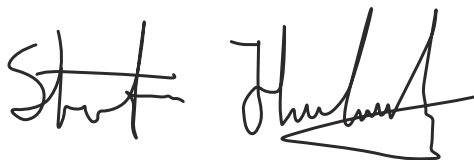
oraz został zaprojektowany zgodnie z następującymi
normami i specyfikacjami technicznymi: IEC
60335-2-100, EN IEC 63000:2018.

Dobrowolna kontrola homologacyjna na rzecz
Husqvarna AB została przeprowadzona przez RISE
SMP Svensk Maskinprovning AB, Box 7035, SE-750
07 Uppsala, Sweden. Numer certyfikatu: SEC/15/2416
– Husqvarna BA101.

Jednostka RISE SMP Svensk Maskinprovning AB,
Box 7035, SE-750 07 Uppsala, Sweden zweryfikowała
także zgodność z załącznikiem V dyrektywy Rady
2000/14/WE. Numer certyfikatu: 01/012/014.

Informacje dotyczące emisji hałasu, patrz *Dane
techniczne na stronie 208*.

Huskvarna, 2022-05-09



Stefan Holmberg, Dyrektor ds. badań i rozwoju,
Zarządzanie technologią, Husqvarna AB

Osoba odpowiedzialna za dokumentację techniczną



ÍNDICE

Introdução.....	213	Transporte, armazenamento e eliminação.....	222
Segurança.....	214	Especificações técnicas.....	222
Funcionamento.....	221	Declaração de conformidade.....	225
Manutenção.....	221		

Introdução

Descrição do produto

Seguimos uma política de desenvolvimento contínuo dos nossos produtos e, por conseguinte, reservamo-nos o direito de modificar o design e o aspeto dos mesmos, sem aviso prévio.

Nota: Este manual abrange ambas as unidades de potência, operadas a gasolina e a bateria.

Finalidade

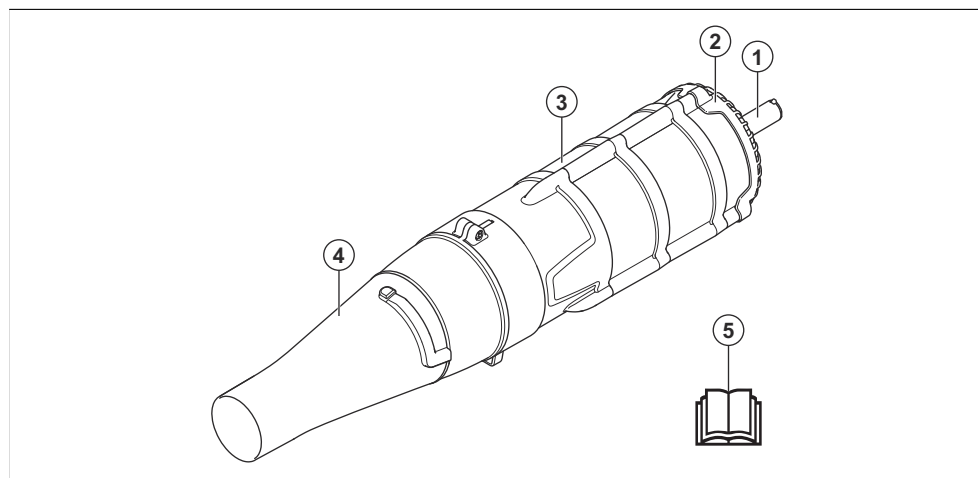


ATENÇÃO: Este acessório apenas pode ser

utilizado juntamente com a unidade de potência prevista. Consulte o capítulo do acessório no manual do utilizador sobre a unidade de potência.

O acessório foi concebido exclusivamente para a limpeza por sopro de relvados, caminhos, ruas asfaltadas e similares.

Vista geral do acessório



1. Eixo
2. Grelha de entrada de ar
3. Alojamento da ventoinha
4. Bocal de ar
5. Manual do utilizador

Símbolos no acessório e na unidade de potência



A utilização indevida ou incorreta deste acessório pode provocar ferimentos graves ou fatais no utilizador ou noutras pessoas.



Leia o manual do utilizador com atenção e certifique-se de que compreende as instruções antes de utilizar o acessório.



Este acessório está em conformidade com as diretivas aplicáveis da CE.



Este produto está em conformidade com os regulamento aplicáveis do Reino Unido.



Utilize proteção acústica, ocular e respiratória aprovada.



Utilize luvas de proteção aprovadas.



Emissões de ruído para o meio ambiente conforme diretiva da Comunidade Europeia. As emissões do acessório são indicadas no capítulo de Especificações técnicas e na etiqueta.



O utilizador do soprador tem de se certificar de que não se encontra qualquer pessoa ou animal num raio de 15 metros. Quando estão vários utilizadores a trabalhar na mesma área, é necessário que exista uma distância de segurança de, pelo menos, 15 metros. O soprador pode arremessar violentamente objetos que podem fazer ricochete. Isso pode levar a graves lesões nos olhos no caso do equipamento de segurança recomendado não ser usado.



O soprador pode arremessar violentamente objetos que podem fazer ricochete. Isso pode levar a graves lesões nos olhos no caso do equipamento de segurança recomendado não ser usado.



O utilizador do produto tem de se certificar de que, durante a utilização, nenhuma pessoa ou animal se encontra num raio de 15 metros.



Risco de corte de dedos ou da mão pela lâmina da ventoinha. Não abra nem retire as proteções ou redes de segurança, enquanto o motor estiver em funcionamento.

Nota: Os restantes símbolos/autocolantes existentes no acessório dizem respeito a exigências específicas para homologação em alguns países.

Segurança

Definições de segurança

Os avisos, as precauções e as notas são utilizados para indicar partes especialmente

importantes do manual do utilizador.



ATENÇÃO: Utilizado no caso de existir risco de ferimento ou morte

para o utilizador ou transeuntes, se não forem respeitadas as instruções do manual.



CUIDADO: Utilizado se existir risco de danos para o produto e/ou acessório, para outros materiais ou para a área adjacente, se não forem respeitadas as instruções do manual.

Nota: Utilizado para disponibilizar informações adicionais necessárias numa determinada situação.

Instruções de segurança gerais



ATENÇÃO: Leia as instruções de segurança que se seguem antes de utilizar o acessório.

- Leia atentamente as instruções do manual do utilizador e certifique-se de que compreende o seu conteúdo antes de utilizar o acessório.
- Este manual do utilizador deve ser lido em juntamente com o manual do utilizador

da unidade de potência, de modo a obter todas as informações do utilizador.

- Não é permitido modificar, em circunstância alguma, a configuração original do acessório sem a autorização expressa do fabricante. Não utilize um acessório que pareça ter sido modificado por outros e utilize sempre acessórios originais. A realização de modificações e/ou a utilização de acessórios não autorizados podem provocar ferimentos pessoais graves ou perigo de vida para o utilizador ou terceiros.

Instruções de segurança para funcionamento



ATENÇÃO: Leia as instruções de aviso que se seguem antes de utilizar o produto.



ATENÇÃO: Este produto produz um campo eletromagnético durante o funcionamento. Em determinadas circunstâncias, este campo pode interferir com o funcionamento de implantes médicos

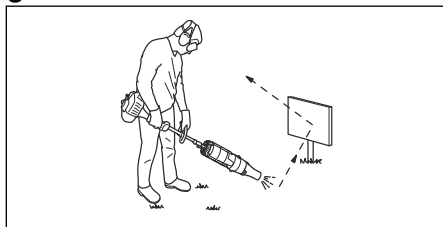
ativos ou passivos. Para diminuir o risco de condições que podem causar ferimentos ou morte, recomendamos que os portadores de implantes médicos consultem o seu médico e o fabricante do implante antes de utilizar este produto.

- Nunca utilize o produto quando estiver cansado, se estiver doente, se tiver tomado bebidas alcoólicas ou ingerido outras drogas, ou se usar certos medicamentos que possam afetar a sua visão, o seu discernimento ou a sua coordenação.
- Nunca utilize um produto defeituoso.
- Antes de ligar a máquina é necessário instalar todas as coberturas e proteções. Se possuir um produto alimentado a gasolina, certifique-se de que a cobertura e o cabo da vela de ignição não apresentam danos para evitar o risco de choque eléctrico.
- O utilizador do soprador tem de se certificar de que não se encontra qualquer pessoa ou animal num raio

de 15 metros. Quando estão vários operadores a trabalhar na mesma área, é necessário que exista uma distância de segurança de, pelo menos, 15 metros.

- Nunca permita que crianças utilizem o produto.
- Nunca permita que outra pessoa utilize o produto sem estar certo de que a mesma leu e entendeu o conteúdo do manual de instruções.
- Nunca retire a grelha de entrada de ar.
- Não toque nunca na vela ou no cabo de ignição enquanto o motor estiver ligado. Tocar na vela de ignição ou na ficha poderá provocar um choque eléctrico.
- Entre sempre em contacto com as autoridades locais e verifique se está a seguir as determinações apropriadas.
- Mantenha todas as partes do seu corpo afastadas de superfícies quentes.
- Se tiver alguma dúvida relativa ao procedimento a seguir, entre em contacto com um técnico especialista. Dirija-se ao seu revendedor ou à sua oficina autorizada. Não utilize funções da máquina para as quais não está preparado.

- Mantenha o bocal do soprador o mais perto possível do solo. Utilize todo o comprimento do tubo de sopro para manter o fluxo de ar junto ao solo.
- Utilize a máquina durante as horas úteis normais, de modo a evitar perturbações desnecessárias. Evite trabalhar cedo de manhã ou a horas tardias da noite.
- Preste atenção ao que se passa na sua vizinhança. Se alguém se aproximar da sua área de trabalho, liberte o interruptor de alimentação/ aceleração até a pessoa se encontrar a uma distância segura. Afaste o soprador de pessoas, animais, áreas recreativas, janelas abertas e carros, etc. A força do ar pode fazer com que pedras, sujidade ou ramos sejam projetados ou façam ricochete, o que pode provocar danos em pessoas ou animais, partir vidros ou causar outros danos.
- Nunca coloque as mãos ou outros objectos na caixa do soprador para evitar ferimentos graves causados pela rotação do propulsor.
- Mantenha a superfície exterior sem óleo nem combustível.
- Nunca utilize este produto para espalhar produtos químicos, fertilizantes ou outras substâncias que possam conter substâncias tóxicas.
- Para evitar a propagação de chamas, não utilize o produto próximo de queimadas, lareiras, fogareiros, cinzeiros, etc.
- Nunca mergulhe nem pulverize o acessório com água ou qualquer outro líquido.
- Use sempre ambas as mãos para segurar a máquina. Mantenha a máquina ao lado do corpo.
- Se possuir um produto alimentado a gasolina, deixe o motor arrefecer antes de reabastecer.
- Os fortes fluxos de ar podem deslocar objetos a uma velocidade tal que podem fazer ricochete e causar graves ferimentos nos olhos.



- Desligue o motor antes de montar ou desmontar acessórios ou outras peças.
- Não utilize o produto em condições meteorológicas desfavoráveis, tais como nevoeiro denso, chuva intensa, vento forte, frio intenso, etc. O funcionamento em condições meteorológicas desfavoráveis é cansativo e pode originar condições de perigo como, por exemplo, superfícies escorregadias.
- Certifique-se de que pode andar e estar de pé com segurança. Tenha cuidado com eventuais obstáculos (raízes, pedras, ramos, valas, etc.) em caso de deslocamento inesperado. Tenha muito cuidado ao trabalhar em terreno inclinado.



- Nunca pouse o produto com o motor em funcionamento sem que o tenha bem vigiado.
- Se possuir um produto alimentado a gasolina, os gases de escape do

motor contêm monóxido de carbono que pode causar envenenamento por monóxido de carbono. Por esse motivo, nunca deve ligar ou utilizar o produto em espaços interiores ou pouco ventilados.

- Não é permitido usar o soprador em escadas ou andaimes, nem em locais altos (como telhados). Tal poderia provocar ferimentos graves.



- Não utilize o produto a menos que seja possível pedir ajuda em caso de acidente.
- Nunca coloque nenhum objecto na abertura de entrada de ar, pois isso pode restringir o fluxo de ar e causar danos na unidade.
- Certifique-se de que o produto não bate em vedações, árvores ou outro material rígido. Se tal ocorrer, a máquina pode ficar danificada e o utilizador pode sofrer ferimentos graves.
- Quando estiver a utilizar protetores acústicos, esteja

atento a sinais de aviso ou gritos. Retire sempre os protetores acústicos assim que o motor parar.

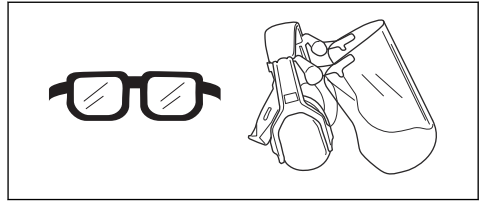
Equipamento de proteção pessoal



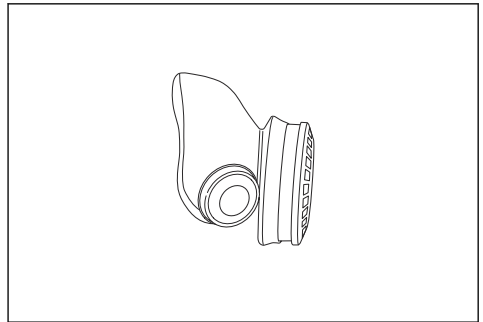
ATENÇÃO: Leia as instruções de aviso que se seguem antes de utilizar o produto.

- Utilize sempre equipamento de proteção pessoal aprovado ao utilizar o produto. O equipamento de proteção pessoal não previne totalmente os ferimentos mas diminui a respetiva gravidade em caso de acidente. Obtenha ajuda junto do seu concessionário para selecionar o equipamento certo.
- Utilize protetores acústicos aprovados com suficiente insonorização. A exposição prolongada a ruídos pode provocar danos auditivos permanentes.
- Utilize proteção ocular aprovada. Mesmo com viseira, é necessário utilizar óculos de proteção aprovados. Consideram-se óculos de proteção aprovados os que estejam

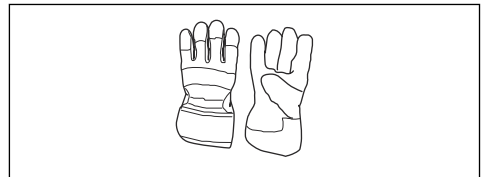
conformes com a norma ANSI Z87.1 nos EUA ou EN 166 nos países da UE.



- Utilize proteção respiratória quando houver risco de poeira.



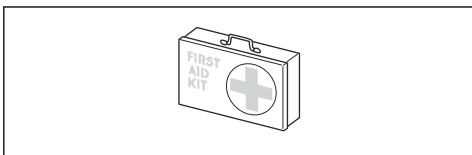
- Utilize luvas sempre que necessário, por exemplo, ao fixar, examinar ou limpar o equipamento.



- Utilize botas ou sapatos antidesslizantes e estáveis.



- Utilize vestuário fabricado com um tecido resistente. Utilize sempre calças e mangas compridas grossas. Não utilize vestuário largo que possa ficar preso em galhos e ramos. Não utilize joias, calções, nem ande de sandálias ou descalço. Coloque o seu cabelo acima dos ombros para maior segurança.
- Mantenha equipamentos de primeiros socorros sempre à mão.



Instruções de segurança para manutenção



ATENÇÃO: Leia as instruções de aviso que se seguem antes de utilizar o produto.

Efetue uma inspeção geral do produto antes de o utilizar. Observe o esquema de manutenção.

Siga as instruções de manutenção e assistência técnica indicadas neste manual. Alguns serviços de manutenção e de assistência técnica têm de ser executados por especialistas formados e qualificados. Consulte as instruções na secção Manutenção.

Verifique sempre se existem objectos que possam bloquear a grelha de entrada de ar antes de iniciar os trabalhos.

Para evitar a ocorrência de danos devido à queda do produto, realize as operações de montagem e desmontagem junto ao solo.

Funcionamento

Utilizar o acessório

Nota: Respeite as pessoas ao seu redor evitando usar a máquina a horas impróprias, por exemplo a horas avançadas da noite ou cedo de manhã. Reduza os níveis de ruído limitando o número de unidades de equipamento utilizadas em simultâneo. Leia e siga os conselhos simples que se seguem, de modo a incomodar o menos possível as pessoas ao seu redor.

1. Use um ancinho ou uma vassoura para despegar o lixo pegado ao solo.
2. Limpe os cantos, começando aí e depois deslocando-se para fora. Isto ajuda a evitar a acumulação de detritos que podem voar para o rosto.
3. Utilize o soprador com a velocidade/aceleração mínima possível. Raramente é necessário utilizar a velocidade/aceleração máxima. Muitos dos procedimentos de trabalho podem ser efetuados a metade da velocidade/aceleração. Uma velocidade/aceleração mais baixa diminui o ruído e a poeira; torna-se também mais fácil controlar o lixo recolhido/movido.
4. Minimize o tempo de sopro humedecendo ligeiramente as áreas com muito pó ou utilizando equipamento de pulverização.
5. Reduza o consumo de água utilizando sopradores em vez de mangueiras de água nas diferentes aplicações relacionadas com o relvado e o jardim, tais como treliças, biombos, churrasqueiras, alpendres, etc.
6. Tenha cuidado quando trabalhar perto de plantas. A força do ar pode danificar as plantas mais delicadas.
7. A velocidade do jato de ar é regulada através do interruptor de alimentação/aceleração. Selecione a velocidade mais adequada às respetivas tarefas.
8. Esteja consciente da direção do vento. Trabalhe a favor do vento para facilitar o seu trabalho.
9. O uso do soprador para deslocar grandes montes de lixo é moroso e provoca ruído desnecessário.
10. Mantenha bom equilíbrio e apoio para os pés.
11. Mantenha uma distância entre o tubo e o solo de forma a evitar o contacto com o solo quando utiliza o produto.
12. Deixe tudo limpo e arrumado. Certifique-se de não ter soprado lixo para propriedade alheia. Proceda à eliminação dos resíduos no recipiente para lixo.
13. Quando concluir o trabalho, armazene o produto na horizontal.

Manutenção

Introdução

Seguem abaixo algumas instruções gerais de manutenção. Se necessitar de maiores informações, consulte uma oficina autorizada.

Efetuar a manutenção diária do acessório



ATENÇÃO: Desligue sempre o motor antes de limpar ou efetuar a manutenção do acessório. Se possuir um produto alimentado a gasolina, desligue o cabo de ignição da vela de ignição. Se possuir

um produto alimentado a bateria, retire a bateria.

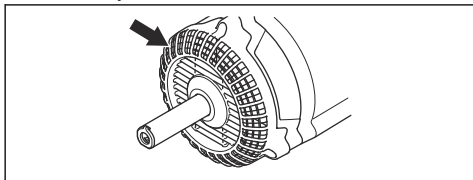


ATENÇÃO: Mantenha todas as partes do seu corpo afastadas de superfícies quentes.

1. Limpe a superfície exterior do soprador.
2. Certifique-se de que nenhuma caixa apresenta fissuras.
3. Certifique-se de que o produto está em perfeitas condições de funcionamento.
4. Certifique-se de que todas as porcas e os parafusos estão bem apertados.
5. Limpe as etiquetas com um pano húmido com uma solução de detergente neutro.

Verificar o filtro de admissão de ar

1. Certifique-se de que a entrada de ar não é obstruída de todos os lados, incluindo a parte de baixo, por exemplo por folhas ou lixo. Uma admissão de ar obstruída reduz a capacidade de sopro do produto e aumenta a temperatura de funcionamento do motor, podendo causar avarias no mesmo. Pare o motor e retire o objeto.



Transporte, armazenamento e eliminação

Transporte e armazenagem

Execute os seguintes passos após cada utilização:

- Deixe arrefecer o acessório antes de o armazenar ou transportar.
- Guarde num local elevado, fresco, seco, interior e fora do alcance das crianças.

Armazenagem sazonal

Prepare o acessório para ser armazenado no final de cada estação ou se não for utilizado durante um período

igual ou superior a 30 dias. Se pretender armazenar o acessório soprador durante um período de tempo prolongado:

- Limpe a unidade.
- Verifique se existem peças soltas ou danificadas no acessório. Aperte todos os parafusos soltos.
- Substitua as peças danificadas, gastas ou partidas.
- No início da estação seguinte, utilize apenas combustível novo com a mistura adequada de gasolina e óleo.

Especificações técnicas

Especificações técnicas para produtos alimentados a gasolina

BA101	
Peso	
Peso, kg	1,9
Emissões de ruído	
Nível de potência sonora, dB(A) medidos	109
Nível de potência sonora, garantido L_{WA} dB (A)	112
Níveis acústicos ¹¹³	
Nível de pressão sonora equivalente, ao nível do ouvido do utilizador, medido de acordo com a norma EN15503, dB(A)	99

¹¹³ O valor equivalente do nível de pressão sonora é calculado com um ciclo de trabalho com uma duração de 1/7 para o ralenti e 6/7 para alta rotação. os dados registados para o nível de pressão sonora equivalente para a máquina têm uma dispersão estatística típica (desvio padrão) de 1 dB(A).

BA101	
Níveis de vibração ¹¹⁴	
Níveis de vibração equivalentes ($a_{hv,eq}$) nos punhos, medidos de acordo com a norma EN 15503, m/s^2	
Punhos dianteiros/traseiros:	5,6/8,3
Rendimento do ventilador ¹¹⁵	
Velocidade máxima do ar com bocal padrão, m/s:	66
Fluxo de ar com bocal padrão, m^3/min	15

Especificações técnicas para produtos alimentados a bateria

325iLK + Blower attachment BA101	
Peso	
Peso, kg	2,3 + +1,9
Emissões de ruído ¹¹⁶	
Nível de potência sonora, dB(A) medidos	103
Nível de potência sonora, garantido L_{WA} dB (A)	106
Níveis acústicos ¹¹⁷	
Nível de pressão sonora, ao nível do ouvido do utilizador, medido de acordo com a norma ISO 26868, dB(A)	
Equipado com acessório aprovado (original), dB (A)	93
Níveis de vibração ¹¹⁸	
Níveis de vibração nos punhos, medidos de acordo com a norma EN 62841-1, m/s^2	
Equipado com acessório aprovado (original), esquerda/direita m/s	1,6/1,1
Rendimento do ventilador ¹¹⁹	
Fluxo de ar no modo normal com bocal padrão, m^3/min	14

¹¹⁴ O valor equivalente do nível de vibração é calculado com um ciclo de trabalho com uma duração de 1/7 para o ralenti e 6/7 para alta rotação. Os dados comunicados relativamente ao nível de vibração equivalente têm uma dispersão estatística típica (desvio padrão) de 1 m/s^2 .

¹¹⁵ Juntamente com a unidade do motor 525iLK/GC2225C.

¹¹⁶ Emissões de ruído para as imediações, medidas sob forma de potência sonora (L_{WA}) em conformidade com a diretiva da CE 2000/14/CE. O nível de potência sonora registado para a máquina foi medido com o equipamento de corte original que debita o nível mais alto. A diferença entre a potência sonora garantida e medida é que a potência sonora garantida inclui também a dispersão no resultado da medição e as variações entre diferentes máquinas do mesmo modelo, de acordo com a diretiva 2000/14/CE.

¹¹⁷ Os dados comunicados relativamente ao nível de pressão sonora para a máquina têm uma dispersão estatística típica (desvio padrão) de 3 dB (A) e foram medidos com o acessório original que debita o nível mais alto. Medido juntamente com a unidade do motor 325iLK.

¹¹⁸ Os dados comunicados relativamente ao nível de vibração têm uma dispersão estatística típica (desvio padrão) de 2 m/s^2 . Para poder comparar os níveis de vibração, produtos a bateria e de combustão, utilize a calculadora de vibrações. Consulte <https://www.husqvarna.com/pt/servicos-solucoes/calculadora-vibracoes/>. Medido juntamente com a unidade do motor 325iLK.

¹¹⁹ Medido juntamente com a unidade do motor 325iLK.

325iLK + Blower attachment BA101

Velocidade máxima do ar no modo normal com bocal padrão, m/s:

52

Declaração de conformidade

Declaração UE de conformidade

A **Husqvarna AB**, SE-561 82 Huskvarna, Suécia,
tel.: +46-36-146500, declara, sob sua inteira
responsabilidade, que o produto:

Descrição	Acessório de soprador
Marca	Husqvarna
Tipo/Modelo	BA101
Identificação	Números de série referentes a 2022 e posteriores

está em plena conformidade com as seguintes diretivas
e regulamentos da UE:

Regulamento	Descrição
2006/42/CE	"relativa a máquinas"
2000/14/CE	"relativa a emissões de ruído para o ambiente"
2011/65/UE	"relativa à restrição do uso de determinadas substâncias perigosas em equipamento elétrico e eletrônico"

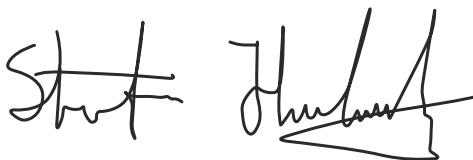
e que as seguintes normas e/ou especificações
técnicas são aplicadas: EN15503:2009+A2:2015, EN
ISO 12100:2021, EN IEC 63000:2018.

A RISE SMP Svensk Maskinprovning AB, Box 7035,
SE-750 07 Uppsala, Sweden, efetuou o exame de tipo
voluntário em nome da Husqvarna AB.

Número do certificado: SEC/15/2416 – Husqvarna
BA101.

Para mais informações sobre as emissões de ruído,
consulte *Especificações técnicas na página 222*.

Huskvarna, 2022-05-09



Stefan Holmberg, diretor de I&D, gestão de tecnologia,
Husqvarna AB

Responsável pela documentação técnica



Declaração UE de conformidade

A **Husqvarna AB**, SE-561 82 Huskvarna, Suécia,
tel.: +46-36-146500, declara, sob sua inteira
responsabilidade, que o produto:

Descrição	Acessório de soprador com unidade de alimentação Husqvarna 325iLK
Marca	Husqvarna
Tipo/Modelo	BA101
Identificação	Números de série referentes a 2022 e posteriores

está em plena conformidade com as seguintes diretivas
e regulamentos da UE:

Regulamento	Descrição
2006/42/CE	"relativa a máquinas"
2000/14/CE	"relativa a emissões de ruído para o ambiente"
2011/65/UE	"relativa à restrição do uso de determinadas substâncias perigosas em equipamento elétrico e eletrônico"

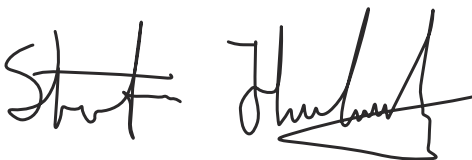
e que as seguintes normas e/ou especificações técnicas
são aplicadas: IEC 60335-2-100, EN IEC 63000:2018.

A RISE SMP Svensk Maskinprovning AB, Box 7035,
SE-750 07 Uppsala, Sweden, efetuou o exame de tipo
voluntário em nome da Husqvarna AB. Número do
certificado: SEC/15/2416 – Husqvarna BA101.

A RISE SMP Svensk Maskinprovning AB, Box 7035,
SE-750 07 Uppsala, Sweden, também verificou a
conformidade com o anexo V da Diretiva do Conselho
2000/14/CE. Número do certificado: 01/012/014.

Para mais informações sobre as emissões de ruído,
consulte *Especificações técnicas na página 222*.

Huskvarna, 2022-05-09



Stefan Holmberg, diretor de I&D, gestão de tecnologia,
Husqvarna AB

Responsável pela documentação técnica



CUPRINS

Introducere.....	227	Transportul, depozitarea și eliminarea.....	235
Siguranță.....	228	Date tehnice.....	236
Funcționarea.....	234	Declarație de conformitate.....	238
Întreținerea.....	235		

Introducere

Descrierea produsului

Avem o politică de îmbunătățire continuă a produselor și, prin urmare, ne rezervăm dreptul de a modifica proiectul și aspectul produselor fără preaviz.

Nota: Acest manual acoperă atât sursele de alimentare care funcționează cu benzină, cât și cele care funcționează cu baterie.

Domeniul de utilizare

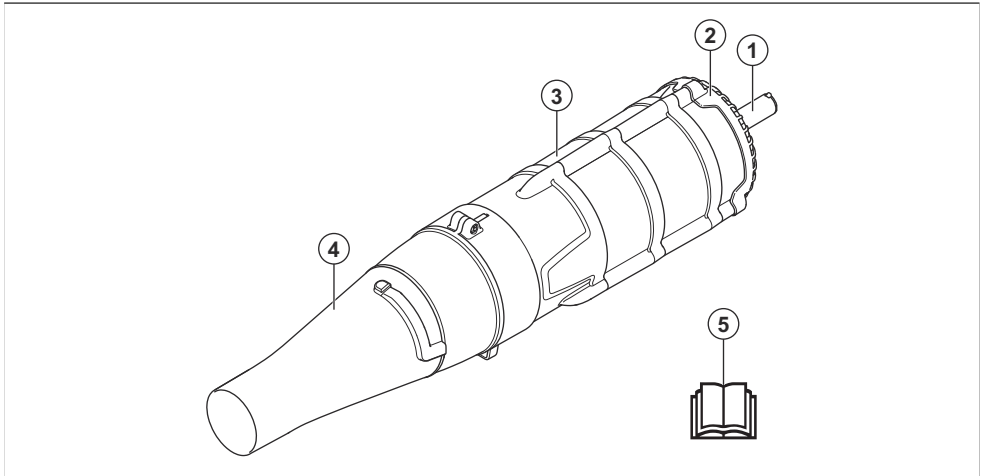


AVERTISMENT: Acest accesoriu poate fi utilizat numai împreună cu

unitatea de alimentare pentru care este conceput. Consultați capitolul despre accesorii din manualul de utilizare pentru unitatea de alimentare.

Accesorii este conceput numai pentru curățarea prin suflare a gazonului, a aleilor, a drumurilor asfaltate și a altor căi asemănătoare.

Prezentare generală a accesoriilor



1. Arbore
2. Filtru pentru priză de aer
3. Carcasă ventilator
4. Duză de aer
5. Manualul operatorului

Simbolurile de pe accesoriu și de pe sursa de alimentare



Utilizarea neatentă sau incorectă a acestui accesoriu poate cauza vătămări corporale grave sau mortale operatorului sau altor persoane.



Citiți cu atenție manualul operatorului și asigurați-vă că înțelegeți instrucțiunile înainte de a utiliza accesoriul.



Acest accesoriu este conform cu directivele UE aplicabile.



Acest produs este în conformitate cu reglementările aplicabile din Regatul Unit.



Utilizați dispozitive de protecție pentru auz, respirație și ochelari de protecție aprobate.



Utilizați mănuși de protecție omologate.



Emisii de zgomot în mediu conform Directivei Comunității Europene. Nivelul de emisii al accesoriului este specificat în capitolul Date tehnice și pe etichetă.



Operatorul suflantei trebuie să se asigure că nu se apropie nicio persoană și niciun animal la o distanță mai mică de 15 metri. Când în aceeași locație lucrează mai mulți operatori, trebuie să se respecte o distanță de siguranță de cel puțin 15 metri. Suflanta poate azvârlă cu forță obiecte care pot ricoșa înapoi. Dacă nu se utilizează echipamentul de siguranță recomandat, acest lucru poate conduce la vătămări oculare grave.



Suflanta poate azvârlă cu forță obiecte care pot ricoșa înapoi. Dacă nu se utilizează echipamentul de siguranță recomandat, acest lucru poate conduce la vătămări oculare grave.



Operatorul produsului trebuie să se asigure, în timp ce lucrează, că nicio persoană și niciun animal nu se apropie la mai puțin de 15 metri.



Tăierea degetelor sau a mâinii de către pala ventilatorului. Nu deschideți și nu scoateți plasele sau aparatoarele de siguranță în timp ce motorul este pornit.

Nota: Alte simboluri/etichete de pe accesoriu se referă la cerințele de certificare specifice pentru anumite piețe.

Siguranță

Definiții privind siguranța

Avertizările, atenționările și notele sunt utilizate pentru a desemna părți foarte importante din manualul operatorului.



AVERTISMENT: Se utilizează dacă există risc de vătămare sau de deces pentru operator sau pentru trecători, în cazul în care

instrucțiunile din manual nu sunt respectate.



ATENȚIE: Se utilizează dacă există un risc de deteriorare a produsului și/sau a accesoriului, a altor materiale sau a zonelor învecinate, dacă instrucțiunile din manual nu sunt respectate.

Nota: Se utilizează pentru a furniza mai multe informații care sunt necesare într-o situație dată.

Instrucțiuni generale de siguranță



AVERTISMENT: Înainte de a utiliza accesoriul, citiți instrucțiunile de siguranță de mai jos.

- Vă rugăm să citiți cu atenție manualul operatorului și să vă asigurați că înțelegeți instrucțiunile înainte de a utiliza accesoriul.
- Acest manual al operatorului trebuie citit împreună cu manualul de utilizare al unității de alimentare pentru

a obține informații complete despre utilizator.

- Nu modificați sub nicio formă proiectul accesoriului fără permisiunea producătorului. Nu folosiți un accesoriu care pare să fi fost modificat de alte persoane și utilizați întotdeauna accesoriile originale. Modificările și/sau accesoriile neautorizate pot avea drept rezultat vătămări corporale grave sau decesul operatorului sau al altor persoane.

Instrucțiuni de siguranță pentru utilizare



AVERTISMENT: Înainte de a utiliza produsul, citiți instrucțiunile de avertizare de mai jos.

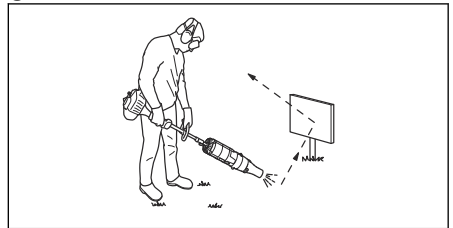


AVERTISMENT: În timpul funcționării, acest produs produce un câmp electromagnetic. În anumite condiții, acest câmp poate interfera cu implanturile medicale active sau pasive. Pentru a scădea riscul de afecțiuni care pot conduce la vătămare sau la deces, recomandăm persoanelor cu implanturi

medicale să consulte medicul și producătorul implantului medical înainte de a utiliza produsul.

- Nu utilizați niciodată produsul dacă sunteți obosit, bolnav, ați consumat alcool sau luați alte medicamente care vă pot afecta vederea, discernământul sau coordonarea.
 - Nu utilizați niciodată un produs care este defect.
 - Înainte de pornire trebuie montate toate capacele și apărătorile. Dacă aveți un produs care funcționează cu benzină, asigurați-vă că pipa bujiei și cablul de aprindere nu sunt deteriorate, pentru a preveni riscul de electrocutare.
 - Operatorul suflantei trebuie să se asigure că nu se apropie nicio persoană și niciun animal la o distanță mai mică de 15 metri. Când în aceeași locație lucrează mai mulți operatori, trebuie să se respecte o distanță de siguranță de cel puțin 15 metri.
 - Nu permiteți niciodată copiilor să folosească acest produs.
- Nu permiteți nimănui să folosească produsul înainte de a vă asigura că a înțeles conținutul manualului operatorului.
 - Nu demontați niciodată filtrul prizei de aer.
 - Nu atingeți niciodată bujia sau cablul de alimentare a aprinderii în timp ce motorul este în funcțiune. Dacă atingeți bujia sau obturatorul puteți suferi un șoc electric.
 - Contactați întotdeauna autoritățile locale și asigurați-vă că urmați directivele aplicabile.
 - Feriți-vă toate părțile corpului de suprafețele fierbinți.
 - Dacă întâlniți o situație în care nu știți sigur cum să procedați, trebuie să întrebați un specialist. Contactați distribuitorul sau atelierul de service. Evitați utilizările care, în opinia dvs., vă depășesc abilitățile.
 - Țineți gura suflantei cât mai aproape de sol. Utilizați întreaga lungime a țevii de suflare pentru a păstra fluxul de aer aproape de sol.
 - Utilizați utilajul în timpul orelor normale de lucru pentru a evita perturbarea inutilă. Evitați să lucrați dimineața devreme sau noaptea târziu.

- Fiți atent la zona înconjurătoare. Dacă cineva se apropie de zona de lucru, eliberați accelerația/înterupătorul până când persoana se află la o distanță sigură. Dirijați suflanta departe de persoane, animale, locuri de joacă, ferestre deschise și automobile etc. Forța aerului poate face ca pietrele, gunoaiile sau bețele să fie aruncate sau să ricoșeze, ceea ce poate duce la rănirea persoanelor sau a animalelor, la spargerea sticlei, sau poate produce alte pagube.
- Nu puneți niciodată mâinile sau alte obiecte în carcasa refulatorului, spre a evita rănirile grave din cauza propulsorului care se rotește.
- Păstrați suprafața exterioară curată, fără urme de ulei sau de carburant.
- Nu folosiți niciodată aparatul pentru a stropi cu substanțe chimice, îngrășăminte sau alte substanțe care ar putea conține elemente toxice.
- Pentru a evita extinderea incendiilor, nu folosiți accesoriul lângă focuri de frunze sau de crengi, focare, grătare cu cărbuni, scrumiere etc.
- Nu introduceți și nu stropiți niciodată accesoriul cu apă sau cu oricare alt lichid.
- Utilizați întotdeauna ambele mâini pentru a ține utilajul. Țineți utilajul pe lângă corp.
- Dacă aveți un produs care funcționează cu benzină, lăsați motorul să se răcească înainte de a realimenta cu carburant.
- Fluxul de aer puternic poate deplasa obiectele la viteze suficient de mari pentru ca acestea să ricoșeze înapoi și să cauzeze vătămări oculare grave.

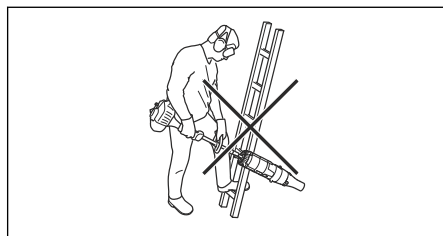


- Opriți motorul înainte de a asambla sau de a demonta accesoriile sau alte piese.
- Nu utilizați niciodată produsul pe vreme rea, de exemplu pe ceață densă, ploaie abundentă, pe vânt puternic, la temperaturi foarte scăzute etc. Lucrul pe vreme rea este obositor și poate crea situații periculoase, de ex. pe suprafețele alunecoase.
- Asigurați-vă că vă puteți deplasa și sta în picioare

în siguranță. Verificați zona din jurul dvs. pentru posibile obstacole (rădăcini, pietre, crengi, șanțuri etc.) în caz că trebuie să vă deplasați brusc. Aveți mare grijă când lucrați pe teren în pantă.



- Nu lăsați niciodată produsul jos cu motorul pornit decât dacă aveți o bună vizibilitate asupra acestuia.
- Dacă aveți un produs care funcționează cu benzină, gazele de eșapament de la motor conțin monoxid de carbon, care poate cauza intoxicație cu monoxid de carbon. Din acest motiv, nu trebuie să porniți sau să utilizați produsul în interior sau într-o zonă slab aerisită.
- Suflanta nu trebuie utilizată pe scări, pe eșafodaje sau în locuri înalte (spre ex., pe acoperișuri). Lucrarea poate provoca vătămări grave.



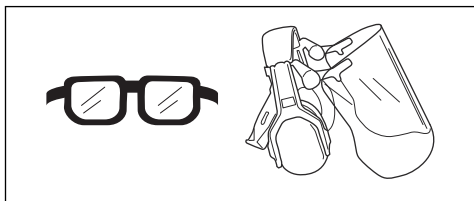
- Nu utilizați produsul decât în situații în care puteți solicita ajutor în eventualitatea unui accident.
- Nu puneți niciodată obiecte în orificiul de intrare a aerului, deoarece acestea pot bloca circulația normală a aerului și pot duce la deteriorarea aparatului.
- Asigurați-vă produsul nu se lovește de garduri, copaci sau alte obiecte dure. Acest lucru poate provoca deteriorarea utilajului și provoca leziuni grave.
- Ascultați semnalele de avertisment sau strigătele când purtați echipament pentru protecția auzului. Îndepărtați echipamentul pentru protecția auzului imediat ce se oprește motorul.

Echipament de protecție personală

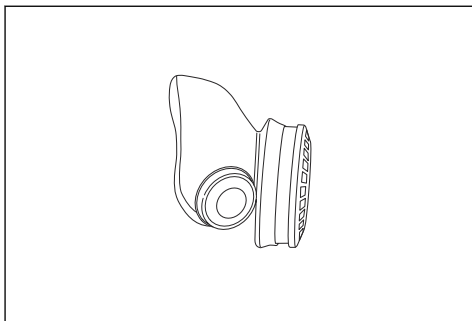


AVERTISMENT: Înainte de a utiliza produsul, citiți instrucțiunile de avertizare de mai jos.

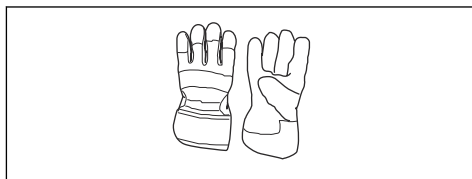
- Utilizați întotdeauna echipamente de protecție personală atunci când folosiți produsul. Echipamentele de protecție personală nu pot elimina complet riscul de rănire, însă pot reduce gravitatea rănilor în cazul unui accident. Distribuitorul vă poate ajuta să alegeți echipamentul corect.
- Purtați echipament de protecție pentru urechi aprobat pentru utilizare, care asigură reducerea adecvată a zgomotului. Expunerea pe termen lung la zgomot poate avea ca rezultat o afecțiune ireversibilă a auzului.
- Utilizați ochelari de protecție omologați. Dacă utilizați un vizor de protecție, trebuie să purtați și ochelari de protecție. Ochelarii de protecție trebuie să fie compatibili cu standardul ANSI Z87.1 în S.U.A. sau EN 166 în țările UE.



- Utilizați protecție respiratorie când există pericolul de generare a prafului.



- Purtați mănuși atunci când este necesar, de exemplu atunci când conectați, inspectați sau curățați echipamentul.



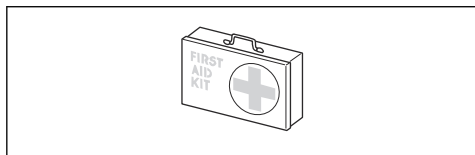
- Utilizați ghete sau pantofi solizi, cu talpă antiderapantă.



- Purtați haine din țesături rezistente. Purtați întotdeauna pantaloni lungi, din material gros, și îmbrăcăminte cu mâneci lungi. Nu purtați haine largi, care se pot prinde

în smicele și ramuri. Nu purtați bijuterii, șort, sandale și nu lucrați în picioarele goale. Strângeți-vă părul în siguranță, deasupra nivelului umărului.

- Păstrați la îndemână echipament de prim ajutor.



Instrucțiuni de siguranță pentru întreținere



AVERTISMENT: Înainte de a utiliza produsul, citiți instrucțiunile de operare de mai jos.

Efectuați o inspecție generală a produsului înainte de

utilizare. Consultați programul de întreținere.

Efectuați operațiile de întreținere și de service descrise în acest manual. Anumite operații de întreținere și de service trebuie efectuate de specialiști instruiți și calificați. Consultați instrucțiunile din subcapitolul **Întreținerea**.

Înainte de începerea lucrului, verificați întotdeauna existența posibilelor obiecte care pot bloca filtrul prizei de aer.

Pentru a preveni deteriorările din cauza căderii produsului, asamblarea și demontarea trebuie realizate aproape de suprafața solului.

Funcționarea

Utilizarea accesoriului

Nota: Respectați persoanele din zona de lucru evitând să utilizați dispozitivul la ore nepotrivite, cum ar fi seara târziu sau dimineața devreme. Reduceți nivelurile de zgomot limitând numărul de echipamente utilizate simultan. Citiți și respectați instrucțiunile simple, astfel încât să perturbați cât mai puțin zona.

1. Pentru a disloca gunoiul lipit de sol, utilizați o greblă sau o perie.
2. Curățați colțurile începând din colț și îndreptându-vă spre exterior. Acest lucru permite evitarea acumulării de resturi, care ar putea fi aruncate spre fața dvs.

3. Utilizați suflanta la cea mai mică accelerație/viteză posibilă. Rareori este necesar să utilizați accelerația/viteza maximă, multe dintre procedurile de lucru putând fi executate la jumătate de accelerație/viteză. O accelerație/viteză mai mică înseamnă mai puțin zgomot și mai puțin praf și, de asemenea, facilitează controlul asupra gunoiului colectat/mutat.
4. Reduceți timpul de suflare prin umezirea ușoară a zonelor de praf sau prin utilizarea echipamentului de pulverizare.
5. Reduceți consumul de apă utilizând suflante în loc de furtunuri de apă pentru diferite aplicații din jurul gazonului și al grădinii, cum ar fi grilaje, garduri, grătare, terase etc.
6. Aveți grijă când lucrați lângă plante. Forța aerului poate afecta plantele delicate.

- Viteza jetului de aer se reglează cu ajutorul accelerației/întrerupătorului. Selectați viteza optimă pentru activitățile respective.
- Fiți atenți la direcția vântului. Folosiți-vă de vânt pentru a vă ușura munca.
- Utilizarea suflantei pentru mutarea unor grămezi mari irosește timpul și generează zgomot inutil.
- Păstrați un echilibru optim și stabilitatea picioarelor.
- Mențineți distanța între tub și sol pentru evita contactul cu solul atunci când lucrați cu produsul.
- La final, curățați zona de lucru. Asigurați-vă că nu ați suflat gunoi în grădina altei persoane. Aruncați resturile în containere pentru gunoi.
- La finalul lucrului, produsul trebuie depozitat în poziție orizontală.

Întreținerea

Introducere

Mai jos veți găsi câteva instrucțiuni generale de întreținere. Dacă aveți nevoie de informații ulterioare, vă rugăm contactați atelierul de service.

Efectuarea operațiilor zilnice de întreținere a accesoriului



AVERTISMENT: Opriiți întotdeauna motorul înainte de a curăța sau a efectua întreținerea accesoriului. Dacă aveți un produs care funcționează cu benzină, deconectați cablul de alimentare a aprinderii de la bujie. Dacă aveți un produs care funcționează cu baterie, scoateți bateria.

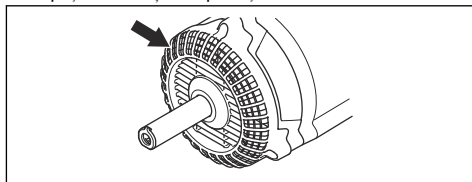


AVERTISMENT: Feriți-vă toate părțile corpului de suprafețele fierbinți.

- Curățați suprafața exterioară a refulatorului.
- Asigurați-vă ca nicio carcasă să nu aibă crăpături.
- Asigurați-vă ca produsul să fie în perfectă stare de funcționare.
- Verificați dacă toate șuruburile și piulițele sunt strânse bine.
- Curățați etichetele folosind o cârpă umedă și detergent delicat.

Verificarea filtrului prizei de aer

- Asigurați-vă că priza de aer nu este blocată pe nicio parte, inclusiv pe partea de dedesubt, de exemplu, cu frunze sau gunoi. O priză de aer înfundată reduce capacitatea de suflare a produsului și crește temperatura de funcționare a motorului, ceea ce poate conduce la defectarea motorului. Opriiți motorul și îndepărtați obiectul.



Transportul, depozitarea și eliminarea

Transport și depozitare

Executați următoarele operațiuni după fiecare utilizare:

- Lăsați accesoriul să se răcească înainte de a-l depozita sau de a-l transporta.

- Păstrați aparatul într-un loc înalt, răcoros, uscat, la interior, la care copiii să nu aibă acces.

DEPOZITAREA PERIODICĂ

Pregătiți accesoriul pentru depozitare la sfârșitul sezonului sau dacă urmează să nu fie folosit pe o

perioadă mai lungă de 30 de zile. Dacă dispozitivul
refulator urmează a fi depozitat pe o perioadă mai lungă
de timp:

- Curățați unitatea.
- Controlați dispozitivul să nu aibă piese slăbite sau deteriorate. Strângeți șuruburile slăbite.

- Înlocuiți toate piesele deteriorate, uzate sau defecte.
- La începutul următorului sezon, folosiți numai carburant proaspăt, cu proporția adecvată de benzină-ulei.

Date tehnice

Date tehnice pentru produse care funcționează pe benzină

BA101	
Greutate	
Greutate, kg	1,9
Emisii de zgomot	
Nivel de putere acustică, măsurat în dB(A)	109
Nivel de putere acustică garantat L_{WA} dB (A)	112
Niveluri de zgomot ¹²⁰	
Nivel de presiune a zgomotului echivalent pentru urechile operatorului, măsurat conform EN15503 dB(A)	99
Niveluri de vibrații ¹²¹	
Nivelele echivalente de vibrații ($a_{hv,eq}$) la mână, măsurate în conformitate cu EN 15503, m/s^2	
Mână față/spate:	5,6/8,3
Performanța ventilatorului ¹²²	
Viteza max. a aerului cu duză standard, m/s:	66
Debit de aer cu duză standard, m^3/min	15

Date tehnice pentru produse care funcționează pe baterii

325iLK + Blower attachment BA101	
Greutate	
Greutate, kg	2,3+1,9

¹²⁰ Nivelul echivalent al presiunii sunetului este calculat la un ciclu de lucru cu durată de 1/7 pentru mersul în gol și de 6/7 pentru accelerare. Datele raportate pentru nivelul echivalent de presiune a sunetului pentru utilaj includ o dispersie statistică tipică (deviere standard) de 1 dB (A).

¹²¹ Nivelul echivalent de vibrații este calculat la un ciclu de lucru cu durată de 1/7 pentru mersul în gol și de 6/7 pentru accelerare. Datele raportate pentru nivelul echivalent de vibrații includ o dispersie statistică tipică (abatere standard) de 1 m/s^2 .

¹²² Împreună cu unitatea cu motor 525LK/GC2225C.

325iLK + Blower attachment BA101	
Emisii de zgomot ¹²³	
Nivel de putere acustică, măsurat în dB(A)	103
Nivel de putere acustică garantat L_{WA} dB (A)	106
Niveluri de zgomot ¹²⁴	
Nivel de presiune a zgomotului pentru urechile operatorului, măsurat conform ISO 26868 dB(A)	
Dotat cu accesoriu aprobat (original), dB (A)	93
Niveluri de vibrații ¹²⁵	
Nivelurile de vibrații la mână, măsurate în conformitate cu EN 62841-1, m/s ²	
Dotat cu accesoriu omologat (original), stânga/dreapta m/s	1,6/1,1
Performanța ventilatorului ¹²⁶	
Debitul de aer în modul normal cu duză standard, m ³ /min	14
Viteza maximă a aerului în modul normal cu duză standard, m/s:	52

¹²³ Emisiile de zgomot în mediu măsurate ca putere acustică (L_{WA}) în conformitate cu directiva CE 2000/14/CE. Nivelul de putere a sunetului raportat pentru aparat a fost măsurat cu accesoriul original de tăiere care emite cel mai ridicat nivel. Diferența dintre puterea garantată a sunetului și cea măsurată este aceeași ca puterea garantată a sunetului include, de asemenea, dispersia în rezultatul de măsurare și variațiile dintre diferitele aparate ale aceluiași model conform Directivei 2000/14/CE.

¹²⁴ Datele raportate pentru nivelul de presiune a zgomotului pentru utilaj au o dispersie statistică tipică (deviație standard) de 3 dB (A) și au fost măsurate cu accesoriul original care oferă cel mai înalt nivel. Măsurat împreună cu unitatea cu motor 325iLK.

¹²⁵ Datele raportate pentru nivelul de vibrații prezintă o dispersie statistică tipică (abatere standard) de 2 m/s². Pentru compararea nivelurilor de vibrații dintre produsele cu baterie și cele cu benzină folosiți calculatorul de vibrații. Consultați <https://www.husqvarna.com/uk/services-solutions/vibration-calculator/>. Măsurat împreună cu unitatea cu motor 325iLK.

¹²⁶ Măsurat împreună cu unitatea cu motor 325iLK.

Declarație de conformitate

Declarație de conformitate UE

Noi, **Husqvarna AB**, SE-561 82 Husqvarna, Suedia, tel.: +46-36-146500, declarăm pe propria răspundere, că produsul:

Descriere	Accesorii de suflantă
Marcă	Husqvarna
Tip/Model	BA101
Identificare	Numere de serie începând cu 2022 și ulterior

respectă în totalitate următoarele directive și reglementări UE:

Reglementare	Descriere
2006/42/CE	„privind utilajele”
2000/14/CE	„privind emisiile de zgomot în mediul înconjurător”
2011/65/UE	„privind restricțiile de utilizare a anumitor substanțe periculoase în echipamentele electrice și electronice”

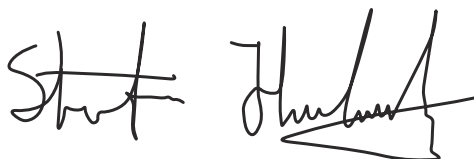
și că au fost aplicate următoarele standarde și/sau specificații tehnice: EN15503:2009+A2:2015, EN ISO 12100:2021, EN IEC 63000:2018.

RISE SMP Svensk Maskinprovning AB, Box 7035, SE-750 07 Uppsala, Sweden a efectuat examinarea voluntară de tip în numele Husqvarna AB.

Număr certificat: SEC/15/2416 – Husqvarna BA101.

Pentru informații privind emisiile de zgomot, consultați *Date tehnice la pagina 236.*

Husqvarna, 2022-05-09



Stefan Holmberg, Director de cercetare și dezvoltare,
Departamentul de gestionare a tehnologiei, Husqvarna AB

Responsabil pentru documentația tehnică



Declarație de conformitate UE

Noi, **Husqvarna AB**, SE-561 82 Husqvarna, Suedia, tel.: +46-36-146500, declarăm pe propria răspundere, că produsul:

Descriere	Accesoriu de refulator cu sursă de alimentare Husqvarna 325iLK
Marcă	Husqvarna
Tip/Model	BA101
Identificare	Numere de serie începând cu 2022 și ulterior

respectă în totalitate următoarele directive și reglementări UE:

Reglementare	Descriere
2006/42/CE	„privind utilajele”
2000/14/CE	„privind emisiile de zgomot în mediul înconjurător”
2011/65/UE	„privind restricțiile de utilizare a anumitor substanțe periculoase în echipamentele electrice și electronice”

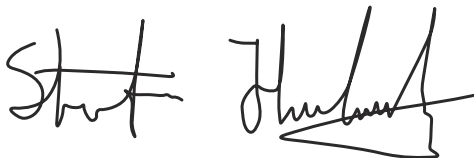
și că au fost aplicate următoarele standarde și/sau specificații tehnice: IEC 60335-2-100, EN IEC 63000:2018.

RISE SMP Svensk Maskinprovning AB, Box 7035, SE-750 07 Uppsala, Sweden a efectuat examinarea voluntară de tip în numele Husqvarna AB. Număr certificat: SEC/15/2416 – Husqvarna BA101.

RISE SMP Svensk Maskinprovning AB, Box 7035, SE-750 07 Uppsala, Sweden a verificat, de asemenea, conformitatea cu anexa V a Directivei Consiliului 2000/14/CE. Număr certificat: 01/012/014.

Pentru informații privind emisiile de zgomot, consultați *Date tehnice la pagina 236*.

Husqvarna, 2022-05-09



Stefan Holmberg, Director de cercetare și dezvoltare,
Departamentul de gestionare a tehnologiei, Husqvarna AB

Responsabil pentru documentația tehnică



Содержание

Введение.....	240	Транспортировка, хранение и утилизация.....	250
Безопасность.....	241	Технические данные.....	250
Эксплуатация.....	249	Декларация о соответствии.....	253
Техническое обслуживание.....	249		

Введение

Описание изделия

Мы постоянно работаем над усовершенствованием и развитием своей продукции и поэтому оставляем за собой право на внесение изменений в конструкцию и внешний вид без предварительного предупреждения.

Примечание: Данное руководство распространяется как на бензиновые, так и на аккумуляторные блоки питания.

Назначение

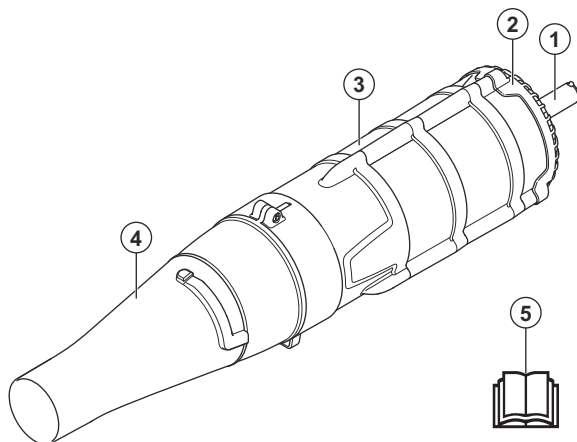


ПРЕДУПРЕЖДЕНИЕ:
Данное оборудование
можно использовать

только вместе
с соответствующим
блоком питания.
См. главу
"Принадлежности" в
руководстве по
эксплуатации блока
питания.

Данное оборудование предназначено только для выдувания мусора с газонов, дорожек, асфальтированных улиц и т. д.

Обзор оборудования



1. Штанга
2. Фильтр в воздуховоде
3. Корпус вентилятора
4. Воздушная форсунка
5. Руководство по эксплуатации

Условные обозначения на оборудовании и блоке питания

разделе "Технические данные" и на паспортной табличке.



Небрежная или неправильная эксплуатация данного оборудования может привести к тяжелой или смертельной травме пользователя или других лиц.



Перед началом работы с оборудованием внимательно прочитайте руководство по эксплуатации и убедитесь, что понимаете приведенные инструкции.



Данное оборудование отвечает требованиям соответствующих директив ЕС.



Данное изделие соответствует действующим директивам Великобритании.



Используйте одобренные средства защиты органов слуха, зрения и дыхания.



Используйте одобренные защитные перчатки.



Эмиссия шума в окружающую среду согласно директиве Европейского сообщества. Уровень эмиссии шума данного оборудования указан в



Оператор воздуходувки обязан следить за тем, чтобы в радиусе 15 м не находились люди или животные. При работе нескольких человек на одном участке между ними должна поддерживаться безопасная дистанция не менее 15 м. Во время работы воздуходувки может случайно отбрасываться предметы, которые могут отскочить обратно. Это может привести к серьезным повреждениям глаз, если не использовать рекомендованные средства защиты.



Во время работы воздуходувки может случайно отбрасываться предметы, которые могут отскочить обратно. Это может привести к серьезным повреждениям глаз, если не использовать рекомендованные средства защиты.



Пользователь изделия должен убедиться, что в радиусе 15 м во время работы нет людей или животных.



Отсечение пальцев или кистей рук лопастями вентилятора. Запрещается открывать или снимать защитные ограждения и сетки во время работы двигателя.

Примечание: Другие символы/наклейки на оборудовании нанесены согласно специальным требованиям к сертификации, которые действуют в определенных странах.

Безопасность

Инструкции по технике безопасности

Предупреждения, предостережения и примечания используются для выделения особо важных

пунктов руководства по эксплуатации.



ПРЕДУПРЕЖДЕНИЕ: Используется, когда несоблюдение инструкций руководства

может привести к травмам или смерти оператора или находящихся рядом посторонних лиц.



ВНИМАНИЕ:

Используется, когда несоблюдение инструкций руководства может привести к повреждению изделия и/или принадлежности, других материалов или прилегающей территории.

Примечание: Используется для предоставления дополнительных сведений о конкретной ситуации.

Общие инструкции по технике безопасности



ПРЕДУПРЕЖДЕНИЕ:

Прежде чем приступать к эксплуатации оборудования, обязательно прочитайте следующие инструкции по технике безопасности.

- Перед началом работы с оборудованием внимательно прочитайте руководство по эксплуатации и убедитесь, что понимаете приведенные здесь инструкции.
- Для получения исчерпывающей информации необходимо прочитать данное руководство, а также руководство по эксплуатации блока питания.
- Ни при каких обстоятельствах не допускается внесение изменений в первоначальную конструкцию оборудования без разрешения производителя. Запрещается использовать оборудование, если существует вероятность, что в его конструкцию внесены изменения другими лицами; всегда используйте оригинальные принадлежности. Внесение неразрешенных изменений и/или использование неразрешенных принадлежностей может привести к тяжелой травме

или смерти оператора или других лиц.

Инструкции по технике безопасности во время эксплуатации



ПРЕДУПРЕЖДЕНИЕ: В обязательном порядке прочитайте следующие инструкции по технике безопасности, прежде чем приступать к эксплуатации изделия.



ПРЕДУПРЕЖДЕНИЕ: Во время работы данное изделие создает электромагнитное поле. В определенных обстоятельствах это поле может создавать помехи для пассивных и активных медицинских имплантатов. В целях снижения риска серьезной или смертельной травмы лицам с медицинскими имплантатами рекомендуется проконсультироваться с врачом и изготовителем

имплантата, прежде чем приступить к эксплуатации данного изделия.

- Запрещается эксплуатировать изделие в усталом состоянии, при болезни, после приема алкоголя или лекарств, снижающих остроту зрения, координацию или скорость реакции.
- Запрещается пользоваться неисправным инструментом.
- Перед началом работы все щитки и крышки должны быть установлены на свои места. При эксплуатации изделия, работающего на бензине, во избежание риска поражения электрическим током убедитесь, что колпачок свечи зажигания и провод зажигания не повреждены.
- Оператор воздухоудвки обязан следить за тем, чтобы в радиусе 15 м от изделия не было людей и животных. При работе нескольких человек на одном участке необходимо обеспечить между ними

безопасное расстояние не менее 15 м.

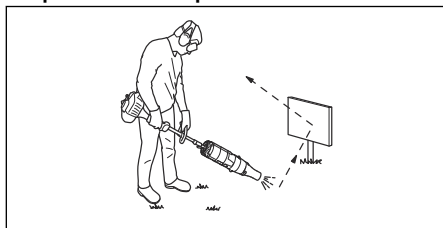
- Ни в коем случае не разрешайте детям пользоваться изделием.
- Ни в коем случае не позволяйте использовать изделие посторонним лицам, не убедившись сначала в том, что они прочитали и поняли содержание руководства по эксплуатации.
- Никогда не снимайте фильтр в воздуховоде.
- Категорически запрещается касаться колпака свечи или кабеля зажигания при работающем двигателе. Прикосновение к свече зажигания или пробке может привести к поражению электрическим током.
- Всегда обращайтесь в местные органы власти и проверяйте, чтобы Вы выполнили соответствующие постановления.
- Держите все части тела вдали от нагретых поверхностей инструмента.
- В случае возникновения ситуации, в которой вы почувствуете неуверенность

относительно дальнейшей работы с изделием, обратитесь за консультацией к специалисту. Свяжитесь со своим дилером или мастерской по обслуживанию. Не пытайтесь решить какую-либо задачу, если считаете, что она находится за пределами ваших возможностей.

- Держите отверстие воздуходувки как можно ближе к земле. Используйте всю длину продувочной трубки для того, чтобы воздушный поток не отклонялся от земли.
- Используйте оборудование в рабочее время, чтобы не беспокоить окружающих. Старайтесь не работать ранним утром или поздним вечером.
- Следите за окружающей обстановкой. В случае приближения кого-либо к вашему рабочему месту отпустите рычаг дросселя/переключателя и дождитесь, пока человек не отойдет на безопасное расстояние. Не направляйте воздуходувку на людей, животных, игровые зоны, открытые

- окна, автомобили и т. д. Воздушный поток может отбросить камни, мусор и ветки, которые могут травмировать людей и животных, разбить стекло или причинить иной ущерб.
- Запрещается помещать руки или какие-либо предметы в корпус воздуходувки; в противном случае вращающееся рабочее колесо может стать причиной серьезной травмы.
 - На внешней поверхности не должно быть следов масла или топлива.
 - Никогда не используйте воздуходувку для разбрасывания химикатов, удобрений и других веществ, которые могут содержать токсичные компоненты.
 - Во избежание распространения огня не работайте вблизи сжигаемых листьев или веток, костров, мангалов, пепелищ и т. д.
 - Никогда не смачивайте оборудование и не брызгайте на него водой или любой другой жидкостью.

- Всегда держите изделие обеими руками. Держите изделие сбоку.
- Перед заправкой изделия, работающего на бензине, дайте двигателю остыть.
- Мощные потоки воздуха могут перемещать предметы с такой скоростью, при которой предметы могут отскочить обратно и нанести глазам серьезные травмы.



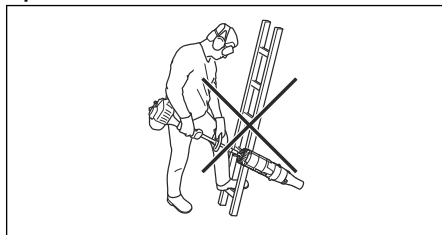
- Останавливайте (электро-)двигатель перед установкой или снятием принадлежностей или других компонентов.
- Запрещается использовать изделие в плохих погодных условиях, таких как густой туман, сильный дождь, резкий ветер, низкие температуры и т. д. Работа в плохую погоду сильно утомляет и может привести к возникновению опасных ситуаций, например, из-за скользких поверхностей.
- Убедитесь, что вы можете двигаться и стоять

безопасно. Проверьте, нет ли вокруг вас возможных помех и препятствий (корней, камней, веток, ям и т. д.), если вам вдруг будет нужно быстро переместиться. Будьте особенно внимательны при работе на склонах.



- Ни в коем случае не опускайте изделие на землю при работающем (электро-)двигателе, за исключением случаев, когда его хорошо видно.
- Выхлопные газы изделия, работающего на бензине, содержат угарный газ, который может стать причиной отравления. По этой причине не следует запускать изделие в помещении и в плохо проветриваемых местах.
- Запрещается эксплуатировать воздуходувку, находясь на лестнице или платформе, а также на возвышенных участках (например, на крыше). В противном

случае эксплуатация может привести к серьезным травмам.



- Запрещено использовать изделие в ситуации, в которой вы не сможете позвать на помощь при несчастном случае.
- Запрещается помещать какие-либо предметы во впускное отверстие, так как это может создать препятствия для нормального тока воздуха и привести к повреждению устройства.
- Следите за тем, чтобы изделие не ударялось о забор, дерево или другой твердый материал. Это может привести к повреждению устройства и серьезным травмам.
- При использовании защитных наушников обращайте внимание на предупреждающие сигналы или крики. Снимайте наушники сразу после остановки (электро-)двигателя.

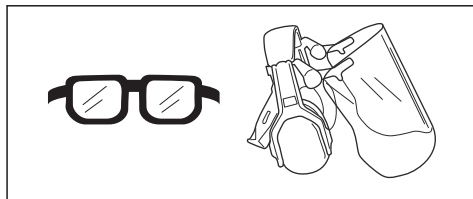
Средства индивидуальной защиты



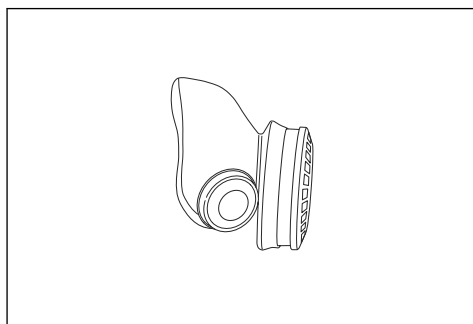
ПРЕДУПРЕЖДЕНИЕ: В обязательном порядке прочитайте следующие инструкции по технике безопасности, прежде чем приступить к эксплуатации изделия.

- Каждый раз при работе с изделием следует использовать одобренные средства индивидуальной защиты. Средства индивидуальной защиты не могут полностью исключить риск получения травмы, но при несчастном случае они снижают тяжесть травмы. За помощью по правильному выбору оборудования обращайтесь к дилеру.
- Следует пользоваться одобренными защитными наушниками с достаточным уровнем подавления шума. Продолжительное воздействие шума может повлечь неизлечимое ухудшение слуха.
- Пользуйтесь проверенными средствами защиты глаз. При использовании защитной маски следует

пользоваться также одобренными защитными очками. Под одобренными защитными очками подразумеваются очки, отвечающие требованиям стандарта ANSI Z87.1 для США или EN 166 для стран ЕС.



- При работе в условиях, которые могут привести к появлению пыли, используйте средства защиты органов дыхания.



- При необходимости надевайте перчатки, например, при креплении, проверке или очистке оборудования.

Инструкции по технике безопасности во время технического обслуживания



ПРЕДУПРЕЖДЕНИЕ: В обязательном порядке прочитайте следующие инструкции по технике безопасности, прежде чем приступить к эксплуатации изделия.

Перед началом эксплуатации изделия проведите его общий осмотр. См. график техобслуживания.

Выполняйте процедуры по уходу и обслуживанию в соответствии с данным руководством. Любые операции по ремонту и сервису, прямо не описанные в данном руководстве, выполняются только в мастерской квалифицированными специалистами. См. инструкции в разделе "Техническое обслуживание".

Перед началом работы убедитесь в том, что воздуховод не заблокирован посторонними предметами.

Во избежание повреждений при падении изделия



- На время работы надевайте устойчивую, нескользящую обувь.



- Надевайте одежду из прочного материала. Всегда надевайте длинные прочные брюки и верхнюю одежду с длинными рукавами. Запрещается надевать свободную одежду, которая может зацепиться за ветви или кустарник. Не надевайте ювелирные украшения, шорты, сандалии и не ходите босиком. Зафиксируйте волосы выше уровня плеч.
- Средства оказания первой помощи всегда должны быть под рукой.



разборка и сборка должны проводиться на уровне земли.

Эксплуатация

Эксплуатация оборудования

Примечание: Используйте изделие только в надлежащее время — не работайте рано утром и поздно вечером, чтобы не мешать окружающим. Уменьшите уровень шума, ограничив количество используемых одновременно единиц оборудования. Прочитайте простые инструкции и следуйте им, чтобы как можно меньше тревожить окружающих.

1. Для отделения застрявшего мусора от земли используйте грабли или метлу.
2. Очистку углов нужно начинать изнутри и двигаться наружу. Тем самым предотвращается скапливание мусора, который может попасть вам в лицо.
3. Используйте воздуходувку на минимальной мощности/скорости. Потребность в использовании изделия на полной мощности/ скорости возникает редко, и многие рабочие процедуры могут выполняться при половине мощности/ скорости. Более низкая мощность/ скорость сокращает уровень шума и количество пыли, а также обеспечивает больший контроль при сборе/перемещении мусора.
4. Уменьшите продолжительность продувки путем легкого увлажнения запыленных областей или использования распылителей.

5. Снизьте потребление воды путем использования воздуходувки вместо шлангов на газонах и в садах, например для сеток, фильтров, решеток, террас и т. п.
6. Соблюдайте осторожность при работе рядом с растениями. Воздушный поток может повредить хрупкие растения.
7. Скорость воздушного потока регулируется с помощью рычага дросселя/переключателя. Выбирайте скорость, наиболее подходящую для выполняемых задач.
8. Следите за направлением ветра. Работайте по направлению ветра для упрощения работы.
9. Использование воздуходувки для перемещения больших скоплений листьев требует много времени и создает нежелательный шум.
10. Сохраняйте равновесие и устойчивость положения.
11. Поддерживайте достаточное расстояние между трубой и землей во избежание контакта с землей при работе изделия.
12. После использования изделия выполните уборку. Следите за тем, чтобы в ходе работы мусор/ листья не попали на чужой участок. Утилизируйте мусор в контейнеры.
13. По завершении работы изделие следует хранить горизонтально.

Техническое обслуживание

Введение

Ниже приведены некоторые общие инструкции по техническому обслуживанию. Для получения дополнительной информации обратитесь в сервисную мастерскую.

Ежедневное обслуживание оборудования



ПРЕДУПРЕЖДЕНИЕ:
Всегда останавливайте (электро-)двигатель, прежде чем приступить к техническому обслуживанию

оборудования. Если изделие работает на бензине, отсоедините кабель зажигания от свечи зажигания. Если изделие работает от аккумулятора, извлеките аккумулятор.



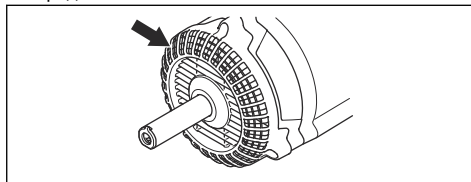
ПРЕДУПРЕЖДЕНИЕ:
Держите все части тела вдали от

нагретых поверхностей инструмента.

1. Очистите наружную поверхность воздуходувки.
2. Убедитесь в отсутствии трещин на корпусах.
3. Убедитесь, что изделие находится в надлежащем рабочем состоянии.
4. Проверьте затяжку всех гаек и винтов.
5. Очистите наклейки влажной тканью с мягким моющим средством.

Проверка фильтра в воздуховоде

1. Убедитесь в том, что воздуховод не заблокирован, например, листьями или мусором. Засорение воздуховода приведет к снижению производительности изделия и повышению рабочей температуры (электро-)двигателя, что может стать причиной поломки. Остановите (электро-)двигатель и извлеките посторонние предметы.



Транспортировка, хранение и утилизация

Транспортировка и хранение

После каждого использования необходимо выполнить следующие действия:

- Дайте насадке остыть перед помещением ее на хранение или транспортировкой.
- Храните устройство в помещении, в сухом, прохладном, высоко расположенном месте, недоступном для детей.

Сезонное хранение

Подготовьте оборудование к хранению в конце сезона или в том случае, если оно не будет

использоваться в течение 30 или более дней.

Если предполагается хранить насадку-возвоходувку в течение длительного промежутка времени, выполните следующее:

- Почистите устройство.
- Проверьте насадку на наличие изношенных или неисправных деталей. Затяните все слабо затянутые винты.
- Замените все поврежденные, сломанные или изношенные детали.
- Начиная следующий сезон, используйте только свежее топливо с нужной пропорцией бензин:масло.

Технические данные

Технические данные изделий, работающих на бензине

BA101	
Масса	
Масса, кг	1,9
Излучение шума	
Уровень мощности звука, измеренный, дБ(А)	109
Уровень мощности звука, гарантированный L_{WA} , дБ (А)	112
Уровни шума ¹²⁷	
Эквивалентный уровень шума на уровне уха пользователя, измеренный согласно EN15503, дБ (А)	99

¹²⁷ Величина эквивалентного уровня звукового давления рассчитывается в ходе рабочего цикла продолжительностью 1/7 для холостого хода и 6/7 для максимальных оборотов. Указанные данные об эквивалентном уровне давления звука для устройства имеют типичный статистический разброс (стандартное отклонение) 1 дБ(А).

BA101	
Уровни вибрации ¹²⁸	
Эквивалентный уровень вибрации ($a_{hv,eq}$) на ручках, измеренный согласно EN 15503, m/c^2	
Передняя/задняя ручка:	5,6/8,3
Производительность вентилятора ¹²⁹	
Макс. скорость воздушного потока со стандартной форсункой, м/с:	66
Воздушный поток со стандартной насадкой, $m^3/мин$	15

Технические данные изделий, работающих от аккумулятора

325iLK + Blower attachment BA101	
Масса	
Масса, кг	2,3+1,9
Излучение шума ¹³⁰	
Уровень мощности звука, измеренный, дБ(А)	103
Уровень мощности шума, гарантированный L_{WA} дБ (А)	106
Уровни шума ¹³¹	
Уровень звукового давления на уровне уха пользователя, измеренный согласно ISO 26868, дБ(А)	
С соответствующим оборудованием (оригинальным), дБ(А)	93
Уровни вибрации ¹³²	
Уровни вибрации на ручках, измерены согласно EN 62841-1, m/c^2	
С соответствующим оборудованием (оригинальным), слева/справа, м/с	1,6/1,1
Производительность вентилятора ¹³³	
Воздушный поток в нормальном режиме со стандартной насадкой, $m^3/мин$	14

¹²⁸ Величина эквивалентного уровня вибрации рассчитывается в ходе рабочего цикла продолжительностью 1/7 для холостого хода и 6/7 для максимальных оборотов. Указанные данные о среднем уровне вибраций имеют типичный статистический разброс (стандартное отклонение) 1 m/c^2 .

¹²⁹ Вместе с двигателем 525LK/GC2225C.

¹³⁰ Излучение шума в окружающую среду измеряется как мощность звука (L_{WA}) согласно директиве ЕС 2000/14/ЕС. Указанный уровень мощности звука для устройства измерен с оригинальным режущим оборудованием, дающим наивысший уровень. Разница между гарантированной и измеренной мощностью звука заключается в том, что гарантированная мощность звука включает результаты измерений как диапазон и их отклонение для устройств одной и той же модели согласно директиве 2000/14/ЕС.

¹³¹ Указанные данные об уровне звукового давления изделия имеют типичный статистический разброс (стандартное отклонение) 3 дБ (А) и были измерены с оригинальным оборудованием, дающим наивысший уровень. Измерено вместе с электродвигателем 325iLK.

¹³² Указанные данные об уровне вибрации имеют типичный статистический разброс (стандартное отклонение) 2 m/c^2 . Для сравнения уровней вибрации изделий с аккумулятором и ДВС используйте калькулятор вибрации. Доступен по ссылке: <https://www.husqvarna.com/uk/services-solutions/vibration-calculator/>. Измерено вместе с электродвигателем 325iLK.

¹³³ Измерено вместе с электродвигателем 325iLK.

325iLK + Blower attachment BA101

Максимальная скорость воздушного потока в нормальном режиме со стандартной форсункой, м/с:

52

Декларация о соответствии

Декларация соответствия требованиям ЕС

Мы, компания **Husqvarna AB**, SE-561 82
Husqvarna, Швеция, тел.: +46-36-146500, с полной
ответственностью заявляем, что изделие:

Описание	Насадка-воздуходув
Марка	Husqvarna
Тип / Модель	BA101
Идентификация	Серийные номера начиная с 2022 года и далее

полностью соответствует следующим директивам и
нормативам ЕС:

Норматив	Описание
2006/42/ЕС	"О механическом оборудовании"
2000/14/ЕС	"Об излучении шума в окружающую среду"
2011/65/EU	"Об ограничении использования определенных опасных веществ в электрическом и электронном оборудовании"

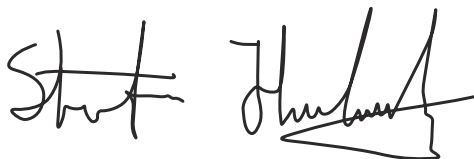
а также требованиям следующих стандартов и/или
технических регламентов: EN15503:2009+A2:2015,
EN ISO 12100:2021, EN IEC 63000:2018.

RISE SMP Svensk Maskinprovning AB, Box 7035,
SE-750 07 Uppsala, Sweden по собственному
желанию осуществила типовую проверку от имени
компании Husqvarna AB.

Номер сертификата: SEC/15/2416 – Husqvarna
BA101.

Информацию по излучению шума см. в разделе
Технические данные на стр. 250.

Husqvarna, 2022-05-09



Стефан Холмберг (Stefan Holmberg), директор
отдела разработок, управление технологиями,
Husqvarna AB

Ответственный за техническую документацию



141400, Московская обл., Г. Химки, ул. Ленинградская,
владение 39, строение 6, здание II этаж 4,
помещение ОВ02_04,
телефон горячей линии 8-800-200-1689

Декларация соответствия требованиям ЕС

Мы, компания **Husqvarna AB**, SE-561 82
Husqvarna, Швеция, тел.: +46-36-146500, с полной
ответственностью заявляем, что изделие:

Описание	Насадка-воздуходув с силовым блоком Husqvarna 325iLK
Марка	Husqvarna
Тип / Модель	BA101
Идентификация	Серийные номера начиная с 2022 года и далее

полностью соответствует следующим директивам и
нормативам ЕС:

Норматив	Описание
2006/42/EC	"О механическом оборудовании"
2000/14/EC	"Об излучении шума в окружающую среду"
2011/65/EU	"Об ограничении использования определенных опасных веществ в электрическом и электронном оборудовании"

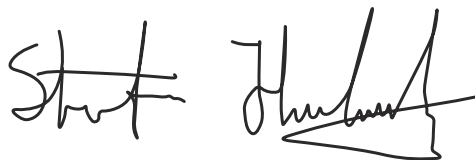
а также требованиям следующих стандартов и/или
технических регламентов: IEC 60335-2-100, EN IEC
63000:2018.

RISE SMP Svensk Maskinprovning AB, Box 7035,
SE-750 07 Uppsala, Sweden по собственному
желанию осуществила типовую проверку от имени
компании Husqvarna AB. Номер сертификата:
SEC/15/2416 – Husqvarna BA101.

RISE SMP Svensk Maskinprovning AB, Box 7035,
SE-750 07 Uppsala, Sweden также завершила
соответствие приложению V Директивы совета
2000/14/EG. Номер сертификата: 01/012/014.

Информацию по излучению шума см. в разделе
Декларация о соответствии на стр. 253.

Husqvarna, 2022-05-09



Стефан Холмберг (Stefan Holmberg), директор
отдела разработок, управление технологиями,
Husqvarna AB

Ответственный за техническую документацию



Obsah

Úvod.....	255	Preprava, skladovanie a likvidácia.....	263
Bezpečnosť.....	256	Technické údaje.....	263
Prevádzka.....	262	Vyhlásenie o zhode.....	266
Údržba.....	263		

Úvod

Popis výrobku

Neustále ďalej vyvíjame svoje výrobky, a preto si vyhradzuje právo upravovať dizajn a vzhľad výrobkov bez toho, aby sme o tom vopred informovali.

Poznámka: Tento návod popisuje jednotky poháňané benzínom alebo batériou.

Plánované použitie

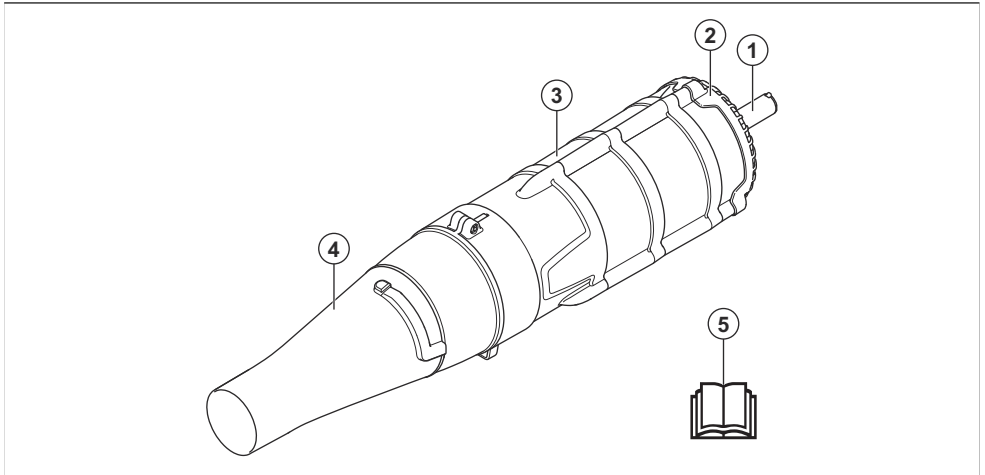


VÝSTRAHA: Tento nastavec sa smie

používať iba spolu s napájacou jednotkou, ktorá je na to určená. Pozrite si kapitolu o príslušenstve v Návode na obsluhu napájacej jednotky.

Tento nastavec je určený výlučne na fúkanie trávnikov, chodníkov, asfaltových ciest a podobne.

Prehľad informácií o rezacom nástroji



1. Hriadeľ
2. Mriežka nasávania vzduchu
3. Kryt ventilátora
4. Vzduchová dýza
5. Návod na obsluhu

Symboly na nastavci a na pohonnej jednotke



Neopatrné alebo nesprávne používanie tohto nastavca môže spôsobiť vážne až smrteľné zranenie obsluhu a iným osobám.



Skôr než začnete nadstavec používať, pozorne si prečítajte návod na obsluhu, aby ste porozumeli pokynom.



Tento nadstavec je v súlade s príslušnými smernicami EÚ.



Tento výrobok je v súlade s príslušnými právnymi predpismi Spojeného kráľovstva.



Používajte schválené chrániče sluchu, chrániče očí a ochranu dýchania.



Používajte schválené ochranné rukavice.



Hlukové emisie do okolia sú v súlade so smernicou Európskeho spoločenstva. Emisie nadstavca sú uvedené v kapitole s technickými údajmi tohto návodu a na štítku.



Obsluha fúkača musí zabezpečiť, aby sa k stroju nepriblížili žiadne osoby ani zvieratá na vzdialenosť menej ako 15 metrov. Ak v rovnakom priestore pracuje viacero obsluhujúcich pracovníkov, bezpečná vzdialenosť medzi nimi musí byť minimálne 15 metrov. Fúkač môže odhodiť predmety, ktoré môžu odskočiť späť. Ak sa nepoužíva odporúčané bezpečnostné vybavenie, môže to spôsobiť vážne poranenia očí.



Fúkač môže odhodiť predmety, ktoré môžu odskočiť späť. Ak sa nepoužíva odporúčané bezpečnostné vybavenie, môže to spôsobiť vážne poranenia očí.



Používateľ výrobku musí počas jeho používania zaistiť, aby sa k výrobku do vzdialenosti menšej ako 15 metrov nepriblížili žiadne osoby ani zvieratá.



Odseknutie prstov alebo ruky lopatkou ventilátora. Keď motor pracuje, neotvárajte ani neodstraňujte ochranné kryty ani sieťky.

Poznámka: Ostatné symboly/štítky na rezaacom nástroji obsahujú údaje v súlade so zvláštnymi požiadavkami certifikácie pre určité trhy.

Bezpečnosť

Bezpečnostné definície

Výstrahy, upozornenia a poznámky slúžia na zdôraznenie mimoriadne dôležitých častí návodu na obsluhu.



VÝSTRAHA: Používa sa, ak pre obsluhu alebo osoby v okolí existuje nebezpečenstvo poranenia alebo smrti

v prípade nedodržania pokynov v návode.



VAROVANIE: Používa sa, ak hrozí nebezpečenstvo poškodenia produktu alebo nadstavca, iných materiálov alebo okolitej oblasti v prípade nedodržania pokynov v návode.

Poznámka: Používa sa na poskytnutie informácií nad rámec nevyhnutných informácií v danej situácii.

Všeobecné bezpečnostné pokyny



VÝSTRAHA: Skôr než budete nadstavec používať, prečítajte si nasledujúce bezpečnostné pokyny.

- Pred používaním nadstavca si pozorne prečítajte návod na obsluhu a uistite sa, že rozumiete uvedeným pokynom.
- Pre úplnosť informácii pre používateľa je potrebné tento návod na obsluhu prečítať

spolu s návodom na obsluhu pohonnej jednotky.

- Za žiadnych okolností nemeňte pôvodnú konštrukciu nadstavca bez schválenia od výrobcu. Nepoužívajte nadstavec, ktorý sa zdá byť upravený, a vždy používajte originálne príslušenstvo. Nepovolené zmeny alebo príslušenstvo môžu viesť k vážnemu zraneniu alebo smrti operátora alebo ostatných osôb.

Bezpečnostné pokyny pre prevádzku



VÝSTRAHA: Skôr než budete výrobok používať, prečítajte si nasledujúce výstrahy.



VÝSTRAHA: Tento výrobok vytvára počas prevádzky elektromagnetické pole. Toto pole môže za určitých okolností spôsobovať rušenie aktívnych alebo pasívnych implantovaných lekárskeho prístrojov. Zníženie rizika podmienok, ktoré môžu viesť k vážnemu alebo

aj smrteľnému poraneniu, si vyžaduje, aby sa osoby s implantovanými pomôckami poradili so svojim lekárom a výrobcom pomôcky ešte pred použitím tohto výrobku.

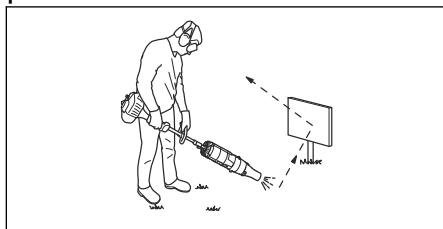
- Produkt nikdy nepoužívajte v prípade, že ste unavený, chorý, konzumovali ste alkohol alebo užívate iné látky alebo liečivá, ktoré môžu ovplyvňovať váš úsudok alebo koordináciu.
- Nikdy nepoužívajte poškodený výrobok.
- Pred naštartovaním sa musia nasadiť všetky kryty a ochranné prvky. Ak máte benzínové zariadenie, skontrolujte, či nie sú uzáver zapalovacej sviečky a zapalovací vodič poškodené, aby ste predišli riziku elektrického šoku.
- Operátor fúkača musí zabezpečiť, aby sa žiadni ľudia alebo zvieratá nedostali bližšie ako 15 metrov od stroja. Ak v rovnakom priestore pracuje niekoľko operátorov, bezpečná vzdialenosť medzi nimi musí byť minimálne 15 metrov.
- Nikdy nedovoľte, aby výrobok používali deti.
- Nikdy nikomu nedovoľte, aby používal výrobok bez toho, že by ste sa najprv ubezpečili, že si prečítal a správne pochopil obsah návodu na obsluhu.
- Nikdy nedemontujte mriežku nasávania vzduchu.
- Keď je motor naštartovaný, nikdy sa nedotýkajte zapalovacej sviečky ani kábla zapalovania. Kontakt so zapalovacou sviečkou alebo zástrčkou môže spôsobiť zásah elektrickým prúdom.
- Vždy kontaktujte miestne úrady a uistite sa, že dodržiavate príslušné smernice.
- Všetky časti tela udržiavajte mimo horúcich plôch.
- V prípade neistoty ohľadom ďalšieho postupu sa obráťte na odborníka. Kontaktujte svojho predajcu alebo servisnú dielňu. Vyvarujte sa každému použitiu výrobku, ktoré podľa vás presahuje vaše možnosti.
- Pridržiavajte otvor fúkača čo najbližšie k zemi. Využite celú dĺžku fúkacej trubice, aby ste prúd vzduchu udržali blízko pri zemi.
- Zariadenie používajte počas bežných pracovných hodín,

aby ste sa vyhli rušeniu poriadku. Vyhybajte sa práci v skorých ranných hodinách alebo neskorých nočných hodinách.

- Dávajte pozor na svoje okolie. Ak sa ktokoľvek priblíži k miestu, kde vykonávate prácu, uvoľnite plyn/páčku vypínača, kým dotyčná osoba nebude v bezpečnej vzdialenosti. Vždy smerujte fúkač od ľudí, zvierat, detských ihrísk, otvorených okien, áut, a pod. Sila vzduchu môže spôsobiť, že kamene, nečistoty alebo paličky môžu byť vyhodené alebo odrazené a poraniť ľudí alebo zvieratá, poškodiť sklo alebo spôsobiť iné škody.
- Do krytu fúkača nikdy nekladajte ruky ani iné predmety, aby ste predišli vážnym poraneniam spôsobeným otáčajúcim sa ventilátorom.
- Vonkajší povrch chráňte pred olejom a palivom.
- Nikdy nepoužívajte na rozprašovanie chemikálií, hnojiva ani iných látok a materiálov, ktoré môžu obsahovať toxické materiály.
- Aby ste predišli šíreniu požiaru, zariadenie nepoužívajte v blízkosti horiaceho lístia alebo krovín,

pri ohniskách, grilovacích ohniskách, popolníkoch a pod.

- Nadstavec nikdy nenamáčajte ani neoprskejte vodou ani žiadnou inou kvapalinou.
- Stroj vždy držte oboma rukami. Stroj držte vedľa tela.
- Ak máte benzínové zariadenie, pred doplnením paliva nechajte motor vychladnúť.
- Silné prúdy vzduchu môžu presúvať predmety takou rýchlosťou, že sa môžu odraziť späť a spôsobiť vážne poranenia očí.

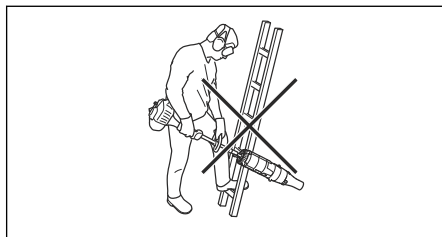


- Pred montážou alebo demontážou príslušenstva alebo iných dielov vypnite stroj/motor.
- Zariadenie nepoužívajte počas nepriaznivých poveternostných podmienok, napríklad v hustej hmle, v silnom daždi, v silnom vetre, v silnom mraze atď. Prevádzka v zlom počasí je namáhavá a môže viesť k nebezpečným podmienkam, napr. šmyklavým povrchom.

- Skontrolujte, či sa môžete pohybovať a stáť bezpečne. Skontrolujte, či okolo vás nie sú prekážky (korene, skaly, vetvy, jamy a podobne) pre prípad, že by ste sa museli náhle pohnúť. Dávajte si pozor pri práci na svahu.



- Výrobok so spusteným motorom nikdy nepokladajte na zem, ak ho nemáte neustále pod dobrým dohľadom.
- Ak máte benzínové zariadenie, výfukové plyny motora obsahujú oxid uhoľnatý, ktorý môže spôsobiť otravu. Preto sa produkt nesmie štartovať v uzavretých miestnostiach, ale na miestach, kde nie je dostatočné vetranie
- Fúkač sa nesmie používať z rebríka alebo lešenia a takisto ani vo výškach (ako napr. strecha). Takýto druh práce by mohol mať za následok vážne zranenie.



- Výrobok smiete používať len v prípade, že ste schopní privolať pomoc v prípade nehody.
- Nikdy nedávajte do otvoru na nasávanie vzduchu žiadny predmet, pretože by mohol obmedziť riadny prietok vzduchu a spôsobiť poškodenie zariadenia.
- Zabezpečte, aby produkt nenarazil do plota, stromu alebo iného tvrdého materiálu. Môže to spôsobiť poškodenie stroja a viesť k vážnemu zraneniu.
- Ak nosíte chrániče sluchu, dávajte pozor na varovné signály alebo výkriky. Chrániče sluchu si skladajte hneď, ako sa motor zastaví.

Osobné ochranné prostriedky

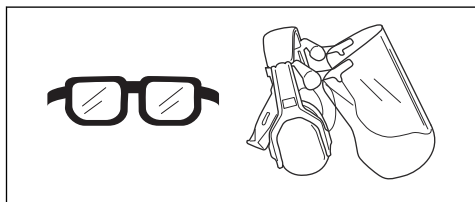


VÝSTRAHA: Skôr než budete výrobok používať, prečítajte si nasledujúce výstrahy.

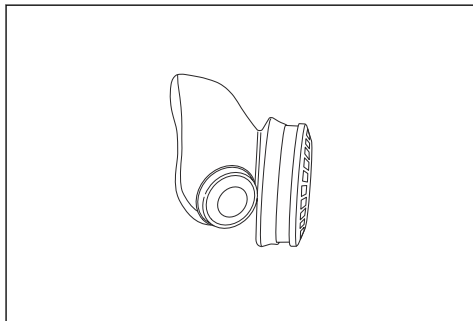
- Pri používaní produktu vždy používajte schválené

osobné ochranné prostriedky. Osobné ochranné prostriedky nedokážu úplne vylúčiť riziko, ale môžu znížiť vážnosť zranenia v prípade nehody. Váš predajca vám pomôže pri výbere správnych prostriedkov.

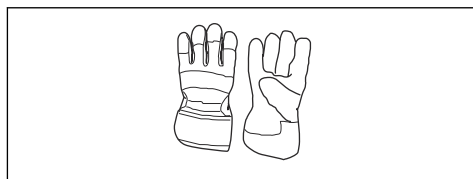
- Používajte schválené chrániče sluchu, ktoré zaručujú primeranú redukciu hluku. Dlhodobé vystavenie sa hluku môže spôsobiť trvalé poškodenie sluchu.
- Používajte schválené chrániče očí. Ak používate štít, musíte tiež používať schválené ochranné okuliare. Schválené ochranné okuliare musia zodpovedať norme ANSI Z87.1 platnej v USA alebo norme EN 166 platnej v krajinách EÚ.



- V prašnom prostredí používajte dýchaciu masku.



- Keď je to potrebné, používajte rukavice, ako napríklad pri montáži, kontrole alebo čistení zariadenia.



- Noste pevné protišmykové čizmy alebo topánky.



- Používajte odev vyrobený z pevnej tkaniny. Vždy noste pevné, dlhé nohavice a dlhé rukávy. Nepoužívajte voľný odev, ktorý sa môže zachytiť v konároch a vetvách. Nenoste šperky, krátke nohavice, sandále a nebud'te

bosí. Vlasy si bezpečne uchyťte nad úrovňou ramien.

- Majte poruke pomôcky na poskytnutie prvej pomoci.



Bezpečnostné pokyny pre údržbu



VÝSTRAHA: Skôr než budete výrobok obsluhovať, prečítajte si nasledujúce výstrahy.

Pred použitím vykonajte celkovú kontrolu výrobku. Pozrite si plán údržby.

Vykonávajte údržbu a dodržiavajte servisné pokyny uvedené v tejto príručke. Určité opatrenia týkajúce sa servisu a údržby zariadenia musia vykonávať iba odborníci. Pozrite si pokyny v časti Údržba.

Vždy pred začatím práce skontrolujte, či sa na mriežke nasávania vzduchu nenachádzajú žiadne predmety, ktoré by mohli blokovať prívod vzduchu.

Montáž a demontáž by sa mala vykonávať nízko nad zemou, aby nedošlo k poškodeniu stroja v dôsledku jeho pádu.

Prevádzka

Používanie nadstavca

Poznámka: Buďte ohľaduplní k osobám žijúcim vo vašom okolí a nepoužívajte stroj v nevhodný čas, napríklad neskoro večer alebo skoro ráno. Znížte úroveň hluku obmedzením počtu súčasne používaných zariadení. Prečítajte si a dodržiavajte jednoduché pokyny tak, aby ste rušili vaše okolie čo najmenej.

1. Na uvoľnenie odpadu, ktorý je uviaznutý v zemi, použite hrable.
2. Kúty čistíte tak, že začnete v rohu, a postupujte smerom von. Predídete tak nahromadeniu odpadu, ktorý by vám mohol vletieť do tváre.
3. Používajte fúkač na čo najmenší plyn/rýchlosť. Málokedy je potrebné využívať plný plyn/rýchlosť a väčšina prác sa dá vykonávať na polovičný plyn/rýchlosť. Menší plyn/rýchlosť znamená menej hluku a menej prachu a taktiež sa ľahšie udržiava kontrola nad presúvaním/zbieraním odpadu.
4. Minimalizujte čas fúkania miernym zvlhčením prašných miest alebo použitím striekacieho zariadenia.

5. Spotrebu vody znížite tým, že použijete vzduchový kompresor miesto hadice s vodou. Aj s kompresorom môžete vykonávať rôzne záhradné práce – čistenie roštu, grilu, slnečníka, verandy atď.
6. Dávajte pozor pri práci okolo rastlín. Silný prúd vzduchu môže slabšie rastliny poškodiť.
7. Rýchlosť prúdu vzduchu sa reguluje pomocou plynu/páčky vypínača. Zvoľte rýchlosť, ktorá najviac vyhovuje danej úlohe.
8. Dávajte pozor na smer vetra. Prácu vykonáte ľahšie, ak budete pracovať v smere vetra.
9. Používanie fúkača na premiestnenie veľkých kôp zaberie veľa času a vytvára sa zbytočný hluk.
10. Udržiavajte dobrú rovnováhu a pevný postoj.
11. Pri práci s výrobkom dodržujte odstup medzi trubicou a zemou, aby ste sa vyhli kontaktu so zemou.
12. Následne môžete začať s čistením. Uistite sa, že ste nenafúkali odpad do niečej záhrady. Nečistoty vyhodte do zbernej nádoby.
13. Po skončení práce skladujte výrobok v horizontálnej polohe.

Údržba

Úvod

V nasledujúcom texte sú uvedené niektoré všeobecné pokyny na údržbu. Ak potrebujete podrobnejšie informácie, kontaktujte vášho predajcu.

Denná údržba nadstavca



VÝSTRAHA: Pred čistením alebo údržbou nadstavca vždy vypnite motor. Ak máte benzínové zariadenie, odpojte kábel zapalovania od zapalovacej sviečky. Ak máte akumulátorové zariadenie, vyberte akumulátor.

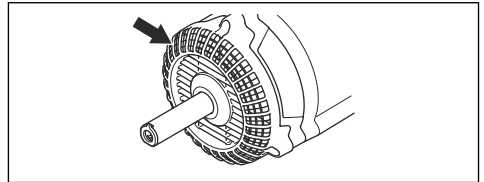


VÝSTRAHA: Všetky časti tela udržiavajte mimo horúcich plôch.

1. Očistite vonkajší povrch fúkača.
2. Skontrolujte celý kryt, či nie je popraskaný.
3. Skontrolujte, či je výrobok v úplnom poriadku.
4. Skontrolujte, či sú všetky matice a skrutky dotiahnuté.
5. Štítky očistite vlhkou handričkou a jemným čistiacim prostriedkom.

Kontrola mriežky nasávania vzduchu

1. Na všetkých stranách vrátane spodnej strany skontrolujte, či nie je zablokovaný prívod vzduchu, napríklad listami alebo nečistotami. Upchatý prívod vzduchu znižuje fúkaciu kapacitu výrobku a zvyšuje pracovnú teplotu motora, čo môže spôsobiť zlyhanie motora. Vypnite motor a predmet odstráňte.



Preprava, skladovanie a likvidácia

Preprava a uskladnenie

Po každom použití vykonajte nasledujúce operácie:

- Pred odložením alebo prepravou nechajte nadstavec vychladnúť.
- Skladujte na vyvýšenom, chladnom a suchom mieste vo vnútri, mimo dosahu detí.

USKLADNENIE PO UKONČENÍ SEZONY

Po skončení sezóny alebo ak sa nadstavec nebude používať dlhšie ako 30 dní, pripravte ho na uskladnenie.

Ak plánujete uskladniť nadstavec fúkača na dlhšie obdobie:

- Očistite zariadenie.
- Skontrolujte, či na nadstavci nie sú žiadne uvoľnené alebo poškodené diely. Pritiahnite všetky uvoľnené skrutky.
- Vymeňte všetky poškodené, opotrebované alebo zlomené diely.
- Na začiatku ďalšej sezóny použite výhradne nové palivo so správnym pomerom benzínu a oleja.

Technické údaje

Technické údaje pre benzínové zariadenia

BA101
Hmotnosť

BA101	
Hmotnosť, kg	1,9
Emisie hluku	
Nameraná úroveň hlučnosti dB(A)	109
Zaručená úroveň hlučnosti L_{WA} dB(A)	112
Úrovně hlučnosti ¹³⁴	
Ekvivalentná hladina akustického tlaku pri uchu používateľa meraná podľa normy EN15503, dB(A)	99
Úrovně vibrácií ¹³⁵	
Ekvivalentné hladiny vibrácií ($a_{hv,eq}$) na rukovätiach merané podľa normy EN 15503, m/s^2	
Predné/zadné rukoväti:	5,6/8,3
Výkon ventilátora ¹³⁶	
Maximálna rýchlosť vzduchu so štandardnou dýzou, m/s:	66
Prietok vzduchu so štandardnou dýzou, $m^3/min.$	15

Technické údaje pre zariadenia na batériu

325iLK + Blower attachment BA101	
Hmotnosť	
Hmotnosť, kg	2,3 + 1,9
Emisie hluku ¹³⁷	
Nameraná úroveň hlučnosti dB(A)	103
Zaručená úroveň hlučnosti L_{WA} dB(A)	106
Úrovně hlučnosti ¹³⁸	
Hladina akustického tlaku pri uchu používateľa meraná podľa normy ISO 26868 dB(A)	
Vybavená schváleným príslušenstvom (originál), dB (A)	93

¹³⁴ Ekvivalentná úroveň hladiny akustického tlaku je vypočítaná počas trvania pracovného cyklu rozdeleného v pomere 1/7 voľnobeh a 6/7 maximálne otáčky. Uvádzané údaje pre ekvivalentnú hladinu akustického tlaku majú typický štatistický rozptyl (štandardnú odchýlku) 1 dB (A).

¹³⁵ Ekvivalentná úroveň hodnoty vibrácií je vypočítaná počas trvania pracovného cyklu rozdeleného v pomere 1/7 voľnobeh a 6/7 maximálne otáčky. Uvádzané údaje pre ekvivalentnú hladinu vibrácií majú typický štatistický rozptyl (štandardnú odchýlku) 1 m/s^2 .

¹³⁶ Spolu s motorovou jednotkou 525LK/GC2225C

¹³⁷ Hladina hluku meraná ako akustický tlak (L_{WA}) v súlade s európskou smernicou 2000/14/ES. Uvádzaná hladina akustického výkonu pre stroj bola meraná s originálnym rezacím nadstavcom, ktorý produkuje najvyššiu úroveň. Rozdiel medzi zaručeným a nameraným akustickým výkonom spočíva v tom, že zaručený akustický výkon zahŕňa aj rozptyl výsledkov merania a rozdiely medzi jednotlivými strojmi rovnakého modelu v súlade so smernicou 2000/14/ES.

¹³⁸ Uvádzané údaje pre hladinu akustického tlaku majú typický štatistický rozptyl (štandardnú odchýlku) 3 dB (A) a boli namerané s originálnym nadstavcom, ktorý má najvyššiu úroveň. Merané spolu s jednotkou motora 325iLK.

325iLK + Blower attachment BA101	
Úrovne vibrácií ¹³⁹	
Hladiny vibrácií na drážkách, merané podľa normy EN ISO 62841-1, m/s ²	
Vybavený schváleným príslušenstvom (originál), vľavo/vpravo m/s	1,6/1,1
Výkon ventilátora ¹⁴⁰	
Prúd vzduchu v normálnom režime so štandardnou dýzou, m ³ /min.	14
Maximálna rýchlosť vzduchu v normálnom režime pri štandardnej dýze, m/s:	52

¹³⁹ Uvádzané údaje pre ekvivalentný stupeň vibrácií majú typický štatistický rozptyl (štandardnú odchýlku) 2 m/s². Ak chcete porovnať úrovne vibrácií pre výrobky s batériou a so spaľovacím motorom, použite kalkulačor vibrácií. Viac informácií nájdete na webovej lokalite <https://www.husqvarna.com/uk/services-solutions/vibration-calculator/>. Meraný spolu s jednotkou motora 325iLK.

¹⁴⁰ Meraný spolu s jednotkou motora 325iLK.

Vyhlásenie o zhode

Vyhlásenie o zhode EÚ

My, spoločnosť **Husqvarna AB**, SE-561 82 Huskvarna, Švédsko, tel.: +46-36-146500, vyhlasujeme s plnou zodpovednosťou, že výrobok:

Popis	Nadstavec fúkača
Značka	Husqvarna
Typ/model	BA101
Identifikácia	Výrobné čísla od roku 2022 a novšie

plne spĺňa nasledujúce smernice a nariadenia EÚ:

Nariadenie	Popis
2006/42/ES	„o strojových zariadeniach“
2000/14/ES	„týkajúca sa emisie hluku v prostredí pochádzajúceho zo zariadení používaných vo voľnom priestranstve“
2011/65/EÚ	„o obmedzení používania určitých nebezpečných látok v elektrických a elektronických zariadeniach“

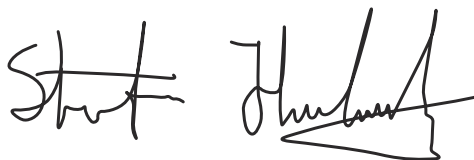
a že sa pri ňom uplatňujú nasledujúce normy a technické špecifikácie: EN15503:2009+A2:2015, EN ISO 12100:2021, EN IEC 63000:2018.

Spoločnosť RISE SMP Svensk Maskinprovning AB, Box 7035, SE-750 07 Uppsala, Sweden, z poverenia spoločnosti Husqvarna AB vykonala dobrovoľnú typovú skúšku.

Číslo certifikátu: SEC/15/2416 – Husqvarna BA101.

Informácie týkajúce sa emisii hluku nájdete v časti *Technické údaje na strane 263*.

Huskvarna, 2022-05-09



Stefan Holmberg, riaditeľ výskumu a vývoja, oddelenie riadenia technológií, Husqvarna AB

Zodpovedný za technickú dokumentáciu



Vyhlasenie o zhode EÚ

My, spoločnosť **Husqvarna AB**, SE-561 82 Huskvarna, Švédsko, tel.: +46-36-146500, vyhlasujeme s plnou zodpovednosťou, že výrobok:

Popis	Nadstavec fúkača s pohonnou jednotkou Husqvarna 325iLK
Značka	Husqvarna
Typ/model	BA101
Identifikácia	Výrobné čísla od roku 2022 a novšie

plne spĺňa nasledujúce smernice a nariadenia EÚ:

Nariadenie	Popis
2006/42/ES	„o strojových zariadeniach“
2000/14/ES	„týkajúca sa emisie hluku v prostredí pochádzajúceho zo zariadení používaných vo voľnom priestranstve“
2011/65/EÚ	„o obmedzení používania určitých nebezpečných látok v elektrických a elektronických zariadeniach“

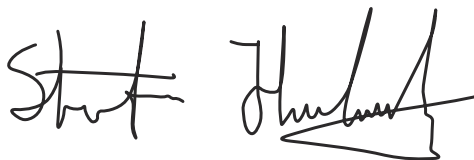
a že sa pri ňom uplatňujú nasledujúce normy a technické špecifikácie: IEC 60335-2-100, EN IEC 63000:2018.

Spoločnosť RISE SMP Svensk Maskinprovning AB, Box 7035, SE-750 07 Uppsala, Sweden, z poverenia spoločnosti Husqvarna AB vykonala dobrovoľnú typovú skúšku. Číslo certifikátu: SEC/15/2416 – Husqvarna BA101.

Spoločnosť RISE SMP Svensk Maskinprovning AB, Box 7035, SE-750 07 Uppsala, Sweden tiež potvrdila súlad s dodatkom V smernice Rady 2000/14/ES. Číslo certifikátu: 01/012/014.

Informácie týkajúce sa emisií hluku nájdete v časti *Technické údaje na strane 263*.

Huskvarna, 2022-05-09



Stefan Holmberg, riaditeľ výskumu a vývoja, oddelenie riadenia technológií, Husqvarna AB

Zodpovedný za technickú dokumentáciu



VSEBINA

Uvod.....	268	Transport skladiščenje in odstranitev.....	276
Varnost.....	269	Tehnični podatki.....	276
Delovanje.....	275	Izjava o skladnosti.....	278
Vzdrževanje.....	275		

Uvod

Opis izdelka

Nenehno razvijamo in izpopolnjujemo svoje izdelke in si zato pridržujemo pravico do sprememb njihove oblike in videza brez predhodnega opozorila.

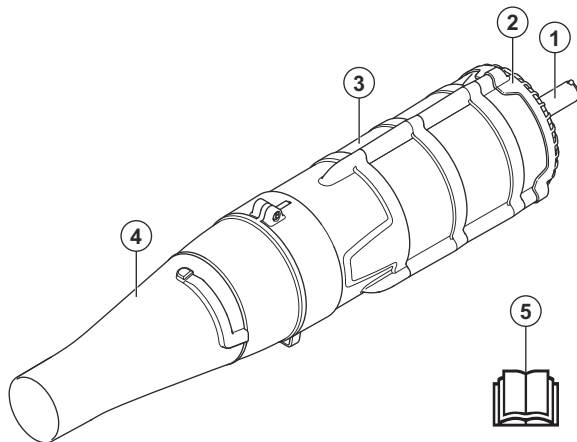
Opomba: Ta priročnik vsebuje navodila tako za električne naprave na bencin kot tudi za tiste na baterije.

Namen uporabe



OPOZORILO: Ta priključek lahko uporabljate samo

Pregled priključka



1. Gred
2. Rešetka dovoda zraka
3. Ohišje ventilatorja
4. Zračna šoba
5. Navodila za uporabo

skupaj s predvideno električno napravo. Glejte razdelek o dodatni opremi v navodilih za uporabo izdelka.

Izdelek je primeren zgolj za pihanje trave, poti, asfaltnih cest in podobnega.

Simboli na priključku in na električni napravi



Površna in napačna uporaba tega priključka lahko povzroči hude telesne poškodbe in celo smrt uporabnika ali drugih oseb.



Pred začetkom uporabe priključka natančno preberite navodila za uporabo in se prepričajte, da ste jih razumeli.



Priključek je v skladu z veljavnimi direktivami ES.



Izdelek je v skladu z veljavnimi direktivami ZK.



Uporabljajte odobreno zaščito za sluh in oči ter dihalno masko.



Uporabljajte odobrene zaščitne rokavice.



Emisija hrupa v okolje v skladu z direktivo Evropske skupnosti. Podatki o emisijah priključka so navedeni v poglavju "Tehnični podatki" in na nalepki.



Uporabnik pihalnika mora poskrbeti, da v premeru 15 metrov ni ljudi ali živali. Če več uporabnikov dela na istem mestu, morajo upoštevati varnostno razdaljo vsaj 15 metrov. Pihalnik lahko izvrže predmete, ki se lahko odbijejo nazaj. Če ne uporabljate priporočene varnostne opreme, lahko pride do resnih poškodb oči.



Pihalnik lahko izvrže predmete, ki se lahko odbijejo nazaj. Če ne uporabljate priporočene varnostne opreme, lahko pride do resnih poškodb oči.



Uporabnik izdelka mora zagotoviti, da so ljudje in živali od delovnega mesta oddaljeni najmanj 15 m.



Lopatica ventilatorja lahko odreže prste ali dlan. Med delovanjem motorja ne odpirajte in ne odstranjujte ščitnikov ali mrež.

Opomba: Ostali znaki in nalepke na priključku se nanašajo na specifične certifikacijske zahteve, ki veljajo na nekaterih tržiščih.

Varnost

Varnostne definicije

Opozorila, previdnostni ukrepi in opombe se uporabljajo za izpostavljanje zlasti pomembnih delov navodil za uporabo.

ali življenjske ogroženosti operaterja ali opazovalcev ob neupoštevanju navodil v tem priročniku.



OPOZORILO: Se uporabi, če obstaja nevarnost poškodbe



POZOR: Se aktivira, če obstaja nevarnost

poškodbe izdelka in/ali nastavka, drugih materialov ali okolice ob neupoštevanju navodil v tem priročniku.

Opomba: Se uporabi za podajanje podrobnejših informacij, potrebnih v dani situaciji.

Splošna varnostna navodila



OPOZORILO: Preden začnete uporabljati pripomoček, preberite naslednja varnostna navodila.

- Pred začetkom uporabe priključka natančno preberite navodila za uporabo in se prepričajte, da ste jih razumeli.
- Da boste dobili vse uporabniške informacije, ta navodila za uporabo preberite skupaj z navodili za uporabo električne naprave.
- Nikoli ne smete spreminjati prvotne izvedbe priključka brez predhodnega dovoljenja proizvajalca. Ne uporabljajte priključka, če opazite, da ga je spreminjal nekdo drug, in vedno uporabljajte

originalno dodatno opremo. Spremembe brez pooblastila in/ali neoriginalni deli lahko povzročijo resne poškodbe ali smrt uporabnika in drugih.

Varnostna navodila za uporabo



OPOZORILO: Pred uporabo izdelka preberite navodila v povezavi z opozorili v nadaljevanju.



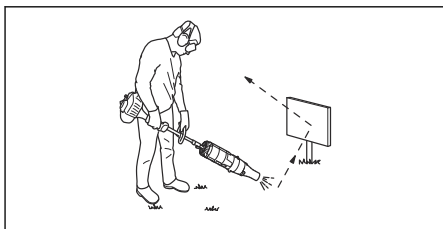
OPOZORILO: Izdelek med delovanjem ustvarja elektromagnetno polje. To polje lahko v nekaterih pogojih moti delovanje aktivnih ali pasivnih medicinskih vsadkov. Uporabnikom medicinskih vsadkov svetujemo, da se pred uporabo tega izdelka posvetujejo z zdravnikom ali proizvajalcem medicinskega vsadka, s čimer zmanjšajo nevarnost resnih ali smrtnih poškodb.

- Izdelka ne uporabljajte, če ste utrujeni, bolni, če ste pod vplivom alkohola ali jemljete zdravila, ki vplivajo na vid, presojo ali koordinacijo.

- Ne uporabljajte pokvarjenega izdelka.
- Pred zagonom morate namestiti vse pokrove in ščitnike. Če uporabljate izdelek, ki deluje na bencin, se za preprečevanje nevarnosti električnega udara prepričajte, da pokrovček svečke in vžigalni kabel nista poškodovana.
- Uporabnik pihalnika mora poskrbeti, da v premeru 15 metrov ni ljudi ali živali. Če več uporabnikov dela na istem mestu, morajo upoštevati varnostno razdaljo vsaj 15 metrov.
- Otrokom ne dovolite uporabe teh izdelka.
- Izdelka ne dovolite uporabljati nikomur, dokler se ne prepričate, da je prebral navodila za uporabo in jih razumel.
- Rešetke dovoda zraka nikoli ne odstranite.
- Nikoli se ne dotikajte svečke ali vžigalnega kabla, če motor deluje. Če se dotaknete vžigalne svečke ali vtiča, lahko doživite električni udar.
- Vedno se obrnite na lokalne oblasti in se prepričajte, da delujete v skladu z veljavnimi direktivami.
- Delov telesa ne približujte vročim površinam.
- V primeru dvoma, ali je nadaljnja uporaba še primerna, se posvetujte s strokovnjakom. Obrnite se na svojega zastopnika ali servisno delavnico. Izogibajte se situacijam, ki se vam zdijo prezahtevne.
- Držite odprtino pihalnika čim bližje tlom. Uporabite celotno dolžino pihalne cevi, da ostane zračni tok v bližini tal.
- Napravo uporabljajte v običajnih delovnih urah, da se izognete nepotrebni motnjam. Izogibajte se delu zgodaj zjutraj ali pozno zvečer.
- Pazite na okolico. Če se kdor koli približa delovnemu območju, sprostite plin/ročico za plin, dokler oseba ni na varni razdalji. Pihalnik usmerite stran od ljudi, živali, igrišč, odprtih oken, avtomobilov itd. Sila zraka lahko povzroči izmet kamnov, umazanije ali palic ter njihov odboj, kar lahko povzroči poškodbe ljudi ali živali, lom stekla ali drugo materialno škodo.
- Z rokami ali drugimi predmeti nikoli ne segajte v ohišje pihalnika in se tako izognite

resnim poškodbam zaradi vrtljivega vztrajnika.

- Na zunanji površini ne sme biti olja in goriva.
- Nikoli ne uporabljajte za pršenje kemikalij, gnojila ali drugih snovi, ki lahko vsebujejo strupene snovi.
- Stroja ne uporabljajte v bližini ognjišč, kaminov, pepelnikov, gorečega listja in dračja ipd., da ne razširite ognja.
- Priključka ne polivajte ali škropite z vodo ali katerokoli drugo tekočino.
- Napravo vedno držite z obema rokama. Napravo držite ob telesu.
- Če imate izdelek, ki deluje na bencin, pred dolivanjem goriva počakajte, da se motor ohladi.
- Močni zračni tokovi lahko premikajo predmete s tako hitrostjo, da se odbijejo in povzročijo hude poškodbe oči.



- Pred montažo ali demontažo dodatne opreme oziroma drugih delov zaustavite motor.

- Izdelka ne uporabljajte v slabem vremenu, na primer v megli ali dežju, v močnem vetru, hudem mrazu itd. Delo v slabem vremenu je naporno in nevarno, na primer zaradi spolzkih površin.
- Prepričajte se, da se lahko varno gibljete in stojite. Če se morate nepričakovano premakniti, preverite okolico za morebitne ovire (korenine, kamenje, veje, jarke, itd.). Pri delu na nagnjenih tleh bodite še posebej previdni.



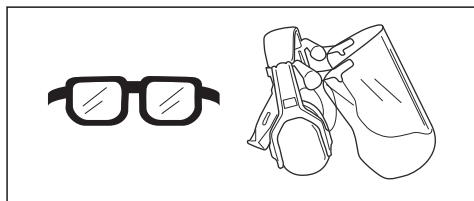
- Stroja/motorja nikoli ne odlagajte z delujočega, razen če ga nimate neprekinjeno pod strogim nadzorom.
- Če uporabljate izdelek, ki deluje na bencin, izpušni plini motorja vsebujejo ogljikov monoksid, ki lahko povzroči zastrupitev. Zaradi ogljikovega monoksida ne smete zaganjati ali uporabljati izdelka v zaprtih prostorih, ali kjerkoli drugje, kjer je slaba ventilacija.
- Pihalnika ni dovoljeno uporabljati na lestvi ali

zidarskem odru in na velikih višinah (npr. na strehi). Neupoštevanje teh navodil lahko povzroči resne poškodbe.



- Nikoli ne uporabljajte izdelka, če v primeru nesreče ne morete priklicati pomoči.
- Nikoli ne vstavljajte predmetov v dovodno zračno odprtino, saj lahko to omeji pravilen pretok zraka in povzroči poškodbe enote.
- Izogibajte se trku izdelka z ograjo, drevesom ali katerim drugim trdim predmetom. To lahko povzroči poškodbe stroja in hude poškodbe.
- Kadar uporabljate zaščito za sluh, bodite pozorni na svarilne znake in klice. Zaščito za sluh odstranite takoj, ko se motor zaustavi.

- Pri uporabi izdelka vedno uporabljajte odobreno osebno zaščitno opremo. Osebna zaščitna oprema ne more popolnoma preprečiti poškodb, vendar v primeru nesreče omili posledice. Prodajalec naj vam pomaga izbrati ustrezno opremo.
- Nosite homologirano zaščito za sluh, ki ustrezno zmanjšuje hrup. Dolgotrajna izpostavljenost hrupu lahko povzroči trajne okvare sluha.
- Uporabljajte odobreno zaščito oči. Tudi če uporabljate vizir, morate vedno uporabljati tudi homologirana zaščitna očala. Homologirana zaščitna očala morajo biti skladna s standardom ANSI Z87.1 za ZDA ali s standardom EN 166 za države EU.

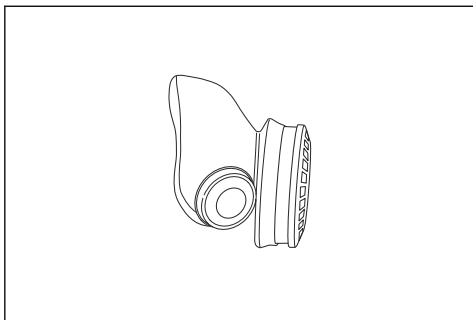


Osebna zaščitna oprema

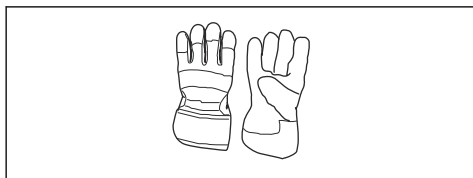


OPOZORILO: Pred uporabo izdelka preberite navodila v povezavi z opozorili v nadaljevanju.

- Če obstaja nevarnost prašenja, uporabljajte dihalno masko.



- Po potrebi uporabite rokavice, npr. kadar pritrjujete, pregledujete ali čistite opremo.



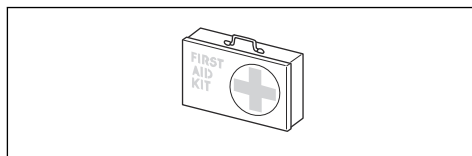
- Nosite vzdržljive škornje ali čevlje, ki ne drsijo.



- Uporabljajte oblačila iz trpežnih materialov. Vedno uporabljajte trpežne dolge hlače in dolge rokave. Ne uporabljajte ohlapnih oblačil, ki se lahko zataknejo za vejice ali veje. Ne nosite

nakita, kratkih hlač in sandalov in ne hodite bosih. Lase si varno sprnite nad rameni.

- Paket prve pomoči hranite na dosegu roke.



Varnostna navodila za vzdrževanje



OPOZORILO: Pred uporabo izdelka preberite navodila v povezavi z opozorili v nadaljevanju.

Pred uporabo v celoti preglejte izdelek. Oglejte si urnik vzdrževanja.

Sledite navodilom za vzdrževanje in servis v skladu z napotki v teh navodilih. Nekateri vrste vzdrževalnih del in popravil lahko opravi samo za to usposobljeno strokovno osebje. Glejte navodila v poglavju Vzdrževanje.

Pred začetkom dela preverite, ali kakršen koli predmet blokira rešetko dovoda zraka.

Za preprečevanje poškodb zaradi padca izdelka, je treba razstavljanje in naknadno

sestavljanje izvajati čim bližje tal.

Delovanje

Uporaba priključka

Opomba: Bodite uvidni do ljudi v vaši okolici in ne uporabljajte naprave ob neprimernem času, na primer pozno zvečer ali zgodaj zjutraj. Zmanjšajte nivo hrupa tako, da omejite število enot opreme, ki se uporabljajo hkrati. Preberite in upoštevajte ta preprosta navodila, da boste čim manj motili okolico.

1. Če želite odstraniti smeti, ki se držijo tal, uporabite grablje ali metlo.
2. Očistite vogale, tako da začnete pri vogalih in se pomikate navzven. Tako preprečite nabiranje umazanije, ki bi vam jo lahko izvrglo v obraz.
3. Pihalnik uporabljajte pri najnižjem možnem plinu/hitrosti. Zelo redko boste morali uporabiti polni plin/hitrost in veliko del lahko opravite s polovičnim plinom/hitrostjo. Nižja moč plina/hitrost pomeni tudi manj hrupa in prahu, hkrati pa omogoča tudi enostavnejši nadzor nad zbranimi/premaknjenimi odpadki.
4. Zmanjšajte čas pihanja tako, da rahlo navlažite prašne dele ali uporabljate opremo za pršenje.

5. Zmanjšajte porabo vode tako, da pri različnih načinih uporabe na travi ali vrtu, kot so rešetke, mreže, žari, verande itd. namesto cevi za vodo uporabljate pihalnike.
6. Pri delu v bližini rastlin bodite previdni. Sila zraka lahko poškoduje nežne rastline.
7. Hitrost zračnega toka se uravnava s plinom/ročico za plin. Izberite hitrost, ki je najbolj ustrezna za posamezno opravilo.
8. Pazite na smer vetra. Izdelek obrnite v smer vetra, saj bo delo tako lažje.
9. Premikanje velikih kupov s pihalnikom traja dolgo časa in ustvarja nepotreben hrup.
10. Imeti morate dobro ravnotežje in čvrsto stojišče.
11. Pri delu z izdelkom ohranjajte primerno varnostno razdaljo med cevjo in tlemi ter tako preprečujte stik.
12. Po koncu pospravite za seboj. Pazite, da smeti ne odpihnete sosedov vrt. Smeti odvrzite v ustrezne smetnjake.
13. Po končanem delu izdelek shranite v vodoravnem položaju.

Vzdrževanje

Uvod

V nadaljevanju je zapisanih nekaj splošnih navodil za vzdrževanje. Če potrebujete več informacij, se obrnite na svojo servisno delavnico.

Vsakodnevno vzdrževanje priključka



OPOZORILO: Pred čiščenjem ali vzdrževanjem priključka vedno ustavite motor. Če imate izdelek, ki deluje na bencin, s svečke odstranite vžigalni kabel. Če imate izdelek, ki deluje na baterijo, jo odstranite.

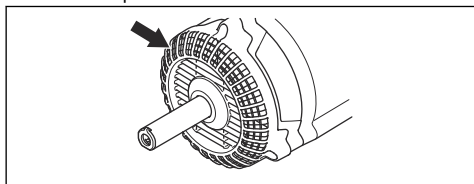


OPOZORILO: Delov telesa ne približujte vročim površinam.

1. Očistite zunanjo površino pihalnika.
2. Prepričajte se, da ni nobeno ohišje razpokano.
3. Prepričajte se, da je izdelek v brezhibnem delovnem položaju.
4. Prepričajte se, da so vse matice in vsi vijaki dobro priti.
5. Nalepke očistite z vlažno krpo in blagim detergentom.

Preverjanje zaslona dovoda zraka

1. Poskrbite, da na primer listje ali smeti ne blokirajo dovoda zraka s katere koli strani, vključno s spodnjo. Zamašen dovod zraka zmanjšuje zmogljivost pihanja in poveča delovno temperaturo motorja, kar lahko privede do okvare motorja. Zaustavite motor in odstranite predmet.



Transport skladiščenje in odstranitev

Prevoz in skladiščenje

Po vsaki uporabi izvedite naslednje korake:

- Omogoča hlajenje nastavka pred shranjevanjem ali transportom.
- Shranite na visokem mestu v hladnem in suhem zaprtem prostoru izven dosega otrok.

- Čiščenje enote.
- Preverite, ali so na nastavku sproščeni ali poškodovani deli. Zategnite vse odvite vijake.
- Zamenjajte vse poškodovane, obrabljene ali zlomljene dele.
- Pred začetkom naslednje sezone uporabite samo sveže gorivo s pravilno mešanico bencina in olja.

SEZONSKO SHRANJEVANJE

Priključek pripravite za shranjevanje po koncu sezone ali ko ga ne boste uporabljali najmanj 30 dni. Če želite nastavek pihalnika shraniti določeno obdobje:

Tehnični podatki

Tehnični podatki za izdelke, ki delujejo na bencin

BA101	
Teža	
Teža, kg	1,9
Emisije hrupa	
Raven zvočne moči, izmerjena v dB (A)	109
Raven zvočne moči, zajamčena L_{WA} v dB(A)	112
Nivoji hrupa ¹⁴¹	
Ekvivalenten nivo jakosti zvoka na uporabnikovem ušesu, merjeno po EN15503 dB(A)	99
Ravni vibracij ¹⁴²	

¹⁴¹ Vrednost ekvivalentne stopnje zvočnega tlaka se izračuna glede na delovni cikel, v katerem naprava 1/7 časa deluje v prostem teku, 6/7 pa v prestavi. Podatki za ekvivalentno stopnjo zvočnega tlaka za napravo imajo tipično statistično razpršitev (standardni odklon) v vrednosti 1 dB (A).

¹⁴² Vrednost ekvivalentne ravni vibracij se izračuna glede na delovni cikel, v katerem naprava 1/7 časa deluje v prostem teku, 6/7 pa v prestavi. Zabeleženi podatki za ekvivalentno raven vibracij imajo tipično statistično razpršitev (standardni odklon) 1 m/s².

BA101	
Ekvivalentne ravni vibracij ($a_{hv,eq}$) v ročajih, izmerjene v skladu z EN 15503, m/s^2	
Sprednji/zadnji ročaj:	5,6/8,3
Zmogljivost ventilatorja ¹⁴³	
Največja hitrost zraka s standardno šobo, m/s:	66
Zračni pretok pri normalni šobi, m^3/min	15

Tehnični podatki za izdelke, ki delujejo na baterijo

325iLK + Blower attachment BA101	
Teža	
Teža, kg	2,3 + 1,9
Emisije hrupa ¹⁴⁴	
Izmerjen nivo zvočne moči dB (A)	103
Raven zvočne moči, zajamčena L_{WA} v dB(A)	106
Nivoji hrupa ¹⁴⁵	
Raven zvočnega tlaka na uporabnikovem ušesu, merjeno po ISO 26868, dB (A)	
Opremljeno z odobreno dodatno opremo (originalno), dB (A)	93
Ravni vibracij ¹⁴⁶	
Ravni vibracij pri ročajih, izmerjene v skladu s standardom EN 62841-1, m/s^2	
Opremljeno z odobreno dodatno opremo (originalno), levo/desno m/s	1,6/1,1
Zmogljivost ventilatorja ¹⁴⁷	
Pretok zraka v običajnem načinu s standardno šobo m^3/min	14
Največja hitrost zraka v običajnem načinu s standardno šobo, m/s:	52

¹⁴³ Z motorno enoto 525LKG/C2225C.

¹⁴⁴ Emisije hrupa v okolje, merjene kot moč zvoka (L_{WA}), v skladu z direktivo ES 2000/14/ES. Navedena raven zvočne moči naprave je bila izmerjena z originalnim rezalnim priključkom, ki dosega najvišjo raven. Razlika med zajamčeno in izmerjeno ravno zvočne moči je v tem, da zajamčena raven zvočne moči, v skladu z direktivo 2000/14/ES, vključuje tudi razpršitev izmerjenih vrednosti in razlike med različnimi napravami istega modela.

¹⁴⁵ Podatki za raven zvočnega tlaka za napravo imajo tipično statistično razpršitev (standardni odklon) v vrednosti 3 dB (A) in so bili izmerjeni z originalnim nastavkom, ki dosega najvišjo raven hrupa. Merjeno z motorno enoto 325iLK.

¹⁴⁶ Zabeleženi podatki za raven vibracij imajo tipično statistično razpršitev (standardni odklon) v višini 2 m/s^2 . Za primerjavo ravni tresljajev pri izdelkih, ki delujejo na baterije in različna goriva, uporabite računalnik za izračun tresljajev. Glejte <https://www.husqvarna.com/uk/services-solutions/vibration-calculator/>. Merjeno z motorno enoto 325iLK.

¹⁴⁷ Merjeno z motorno enoto 325iLK.

Izjava o skladnosti

Izjava EU o skladnosti

Mi, **Husqvarna AB**, SE--561 82 Huskvarna, Švedska,
tel.: +46-36-146500, izjavljamo na lastno odgovornost,
da je izdelek:

Opis	Priključek za pihalnik
Znamka	Husqvarna
Vrsta/model	BA101
Identifikacija	Serijske številke od letnika 2022 dalje

v celoti skladen z naslednjimi direktivami in uredbami
EU:

Uredba	Opis
2006/42/ES	"o strojih"
2000/14/EC	"o emisijah hrupa v okolico"
2011/65/EU	"o omejevanju uporabe nekaterih nevarnih snovi v električni in elektronski opremi"

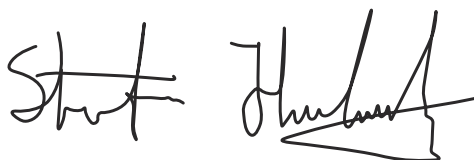
in so pri tem v veljavi naslednji standardi in/ali
tehnične specifikacije: EN15503:2009+A2:2015, EN ISO
12100:2021, EN IEC 63000:2018.

RISE SMP Svensk Maskinprovning AB, Box 7035,
SE-750 07 Uppsala, Sweden je v imenu družbe
Husqvarna AB opravil prostovoljen tipski pregled.

Številka potrdila: SEC/15/2416 – Husqvarna BA101.

Za informacije v zvezi z emisijami hrupa glejte poglavje
Tehnični podatki na strani 276.

Huskvarna, 2022-05-09



Stefan Holmberg, direktor oddelka za raziskave in
razvoj, tehnološko upravljanje, Husqvarna AB

Odgovorni za tehnično dokumentacijo



Izjava EU o skladnosti

Mi, **Husqvarna AB**, SE--561 82 Huskvarna, Švedska,
tel.: +46-36-146500, izjavljamo na lastno odgovornost,
da je izdelek:

Opis	Priključek pihalnika z napajalno enoto Husqvarna 325iLK
Znamka	Husqvarna
Vrsta/model	BA101
Identifikacija	Serijske številke od letnika 2022 dalje

v celoti skladen z naslednjimi direktivami in uredbami
EU:

Uredba	Opis
2006/42/ES	"o strojih"
2000/14/EC	"o emisijah hrupa v okolico"
2011/65/EU	"o omejevanju uporabe nekaterih nevarnih snovi v električni in elektronski opremi"

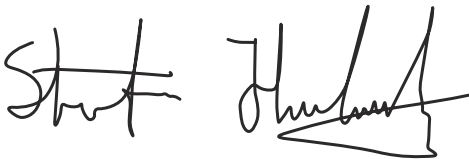
in so pri tem v veljavi naslednji standardi in/ali tehnične
specifikacije: IEC 60335-2-100, EN IEC 63000:2018.

RISE SMP Svensk Maskinprovning AB, Box 7035,
SE-750 07 Uppsala, Sweden je v imenu družbe
Husqvarna AB opravil prostovoljen tipski pregled.
Številka potrdila: SEC/15/2416 – Husqvarna BA101.

Družba RISE SMP Svensk Maskinprovning AB RISE
SMP Svensk Maskinprovning AB je tudi preverila
skladnost z Dodatkom V Direktive sveta 2000/14/ES.
Številka potrdila: 01/012/014.

Za informacije v zvezi z emisijami hrupa glejte poglavje
Tehnični podatki na strani 276.

Huskvarna, 2022-05-09



Stefan Holmberg, direktor oddelka za raziskave in
razvoj, tehnološko upravljanje, Husqvarna AB

Odgovorni za tehnično dokumentacijo



Innehåll

Introduktion.....	280	Transport, förvaring och kassering.....	288
Säkerhet.....	281	Tekniska data.....	288
Drift.....	287	Försäkran om överensstämmelse.....	290
Underhåll.....	287		

Introduktion

Produktbeskrivning

Vi arbetar ständigt med att vidareutveckla våra produkter och förbehåller oss därför rätten till ändringar beträffande bl.a. produkternas form och utseende utan föregående meddelande.

Notera: Den här bruksanvisningen omfattar både bensin- och batteridrivna kraftaggregat.

Avsedd användning

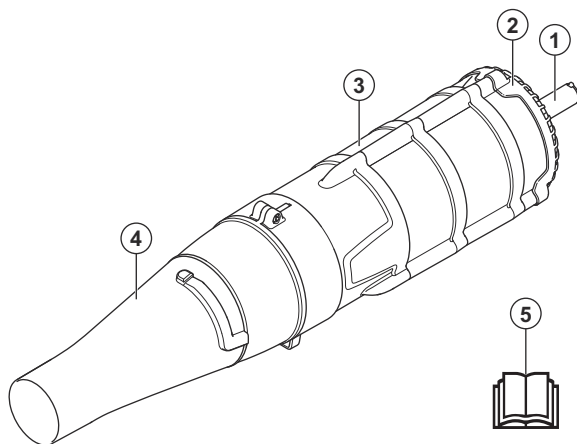


VARNING: Det här tillbehöret får

endast användas tillsammans med avsett kraftaggregat. Se avsnittet om tillbehör i kraftaggregatets användarhandbok.

Tillbehöret är endast konstruerat för renblåsning av gräsmattor, gångar, asfaltsvägar och liknande.

Tillbehörsöversikt



1. Rigrör
2. Luftintagsnät
3. Fläkthus
4. Luftmunstycke
5. Bruksanvisning

Symboler på utrustningen och på kraftaggregatet



Vårdslös eller felaktig användning av tillbehöret kan resultera i allvarliga eller livshotande skador på användaren eller andra.



Läs igenom bruksanvisningen noggrant och se till att du förstår instruktionerna innan du använder tillbehöret.



Blåsaren kan våldsamt kasta iväg föremål som kan studsas tillbaka. Detta kan leda till allvarliga ögonskador om inte rekommenderad skyddsutrustning används.



Utrustningen överensstämmer med gällande EG-direktiv.



Användaren av produkten måste under arbetets gång se till att inga människor eller djur kommer närmare än 15 meter.



Produkten överensstämmer med gällande brittiska direktiv.



Skärskador från fläktblad på fingrar eller hand. Öppna inte och ta inte bort säkerhetsskydden eller näten när motorn är igång.



Använd godkända hörsel-, ögon- och andningsskydd.

Notera: Övriga symboler/dekaler på tillbehöret avser specifika krav för certifieringar på vissa marknader.



Använd godkända skyddshandskar.



Bulleremissioner till omgivningen enligt Europeiska Gemenskapens direktiv. Emissionen för tillbehöret är angiven i avsnittet Tekniska data och på etiketten.



Användaren ska se till att inga människor eller djur kommer närmare än 15 meter. Då flera användare arbetar på samma ställe ska säkerhetsavståndet vara minst 15 meter. Blåsaren kan våldsamt kasta iväg föremål som kan studsas tillbaka. Detta kan leda till allvarliga ögonskador om inte rekommenderad skyddsutrustning används.

Säkerhet

Säkerhetsdefinitioner

Varningar, försiktighetsåtgärder och anmärkningar används för att betona speciellt viktiga delar i bruksanvisningen.

eller dödsfall för föraren eller kringstående om anvisningarna i bruksanvisningen inte följs.



VARNING: Används om det finns risk för skador



OBSERVERA: Används om det finns risk för skada på produkten och/eller tillbehör, annat material eller det angränsande området om anvisningarna i bruksanvisningen inte följs.

Notera: Används för att ge mer information som är nödvändig i en viss situation.

Allmänna säkerhetsinstruktioner



WARNING: Läs varningsinstruktionerna nedan innan du använder tillbehöret.

- Läs igenom bruksanvisningen noggrant och se till att du förstår instruktionerna innan du använder tillbehöret.
- Den här användarhandboken ska läsas tillsammans med användarhandboken för kraftaggregatet för fullständig användarinformation.
- Tillbehörets ursprungliga utformning får inte under några omständigheter ändras utan tillstånd från tillverkaren. Använd inte ett tillbehör som verkar ha blivit ändrat av

någon annan och använd alltid originaltillbehör. Icke auktoriserade ändringar och/eller tillbehör kan medföra allvarliga personskador eller dödsfall för föraren eller andra.

Säkerhetsinstruktioner för drift



WARNING: Läs varningsinstruktionerna nedan innan du använder produkten.

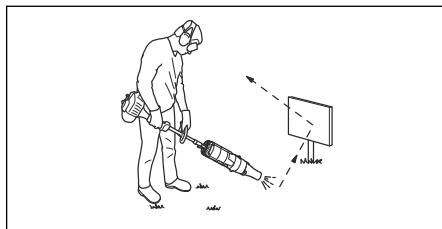


WARNING: Denna produkt alstrar ett elektromagnetiskt fält under drift. Detta fält kan under vissa omständigheter ge påverkan på aktiva eller passiva medicinska implantat. För att reducera risken för omständigheter som kan leda till allvarliga eller livshotande skador rekommenderar vi därför personer med implantat att rådgöra med läkare samt tillverkaren av det medicinska implantatet innan denna maskin används.

- Använd aldrig produkten om du är trött eller sjuk, om du har druckit alkohol eller intagit andra droger eller om du använder vissa mediciner som kan påverka din syn, omdömesförmåga eller kroppskontroll.
- Använd aldrig en produkt som är defekt.
- Samtliga kåpor och skydd måste vara monterade före start. Om du har en bensindriven produkt bör du se till att tändhatten och tändkabeln är oskadade för att undvika risk för elektriska stötar.
- Användaren ska se till att inga människor eller djur kommer närmare än 15 meter. Då flera användare arbetar på samma ställe ska säkerhetsavståndet vara minst 15 meter.
- Tillåt aldrig barn att använda produkten.
- Låt aldrig någon annan använda produkten utan att försäkra dig om att de har läst igenom och förstått innehållet i bruksanvisningen.
- Ta aldrig av luftintagsnätet.
- Vidrör aldrig tändstiftet eller tändkabeln när motorn är igång. Om du vidrör tändstiftet eller stickproppen kan du få elektriska stötar.
- Tag alltid kontakt med de lokala myndigheterna och kontrollera att ni följer lämpliga bestämmelser.
- Håll alla delar av kroppen borta från heta ytor.
- När du råkar ut för en situation som gör dig osäker angående fortsatt användning ska du rådfråga en expert. Kontakta din återförsäljare eller serviceverkstad. Undvik all användning du anser dig otillräckligt kvalificerad för.
- Håll blåsarens öppning så nära marken som möjligt. Använd hela blåsrorets längd för att hålla luftflödet nära marken.
- Använd maskinen under normal arbetstid för att undvika onödiga störningar. Undvik att arbeta tidigt på morgonen eller sent på kvällen.
- Var medveten om din omgivning. Om någon närmar sig arbetsområdet, släpp gasreglaget tills personen befinner sig på säkert avstånd. Rikta blåsaren bort från människor, djur, lekområden, öppna fönster, bilar osv. Luftströmmen är kraftig nog att slunga iväg stenar, smuts och kvistar som

kan skada människor och djur, krossa glas eller orsaka andra skador.

- Stoppa aldrig in händerna eller andra föremål under kåpan – det roterande fläkthjulet kan orsaka allvarliga skador.
- Håll maskinens utvändiga yta ren från olja och bränsle.
- Använd aldrig utrustningen för att sprida kemikalier, gödningsmedel eller andra substanser som kan innehålla giftiga ämnen.
- För att undvika eldspridning ska du inte använda blåsaggregatet i närheten av löv- eller risbränder, eldstäder, utomhusgrillar, askfat osv.
- Spruta aldrig vatten eller någon annan vätska på blåsaggregatet.
- Håll alltid maskinen med båda händerna. Håll maskinen vid sidan av kroppen.
- Om du har en bensindriven produkt ska du låta motorn svalna innan du tankar.
- De kraftiga luftströmmarna kan förflytta föremål med sådan hastighet att de kan studsas tillbaka och leda till allvarliga ögonskador.



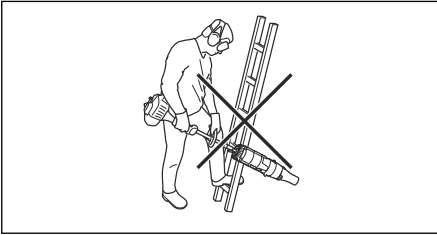
- Stanna motorn innan du monterar eller demonterar tillbehör eller andra delar.
- Undvik användning vid ogynnsamma väderleksförhållanden, exempelvis tät dimma, kraftigt regn, hård vind eller stark kyla. Att arbeta i dåligt väder är tröttsamt och kan innebära farliga omständigheter, exempelvis halt underlag.
- Se till att du kan gå och stå säkert. Titta efter eventuella hinder vid en oväntad förflyttning (rötter, stenar, grenar, gropar, diken, osv.). Iaktta stor försiktighet vid arbete i sluttande terräng.



- Ställ aldrig ner produkten med motorn igång utan att du har uppsikt över den.
- Om du har en bensindriven produkt innehåller motorns

avgaser kolmonoxid som kan orsaka kolmonoxidförgiftning. Av denna anledning får du inte starta eller köra produkten inomhus eller på dåligt ventilerade platser.

- Du får inte använda blåsaren när du står på en stege, byggnadsställning eller annan hög plats (t.ex. tak). Sådant arbete kan leda till allvarliga personskador.



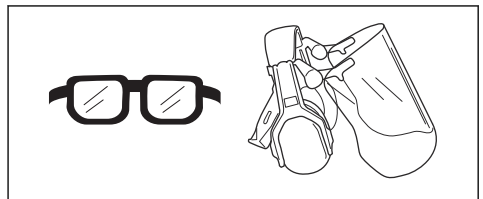
- Använd aldrig produkten utan möjlighet att kunna påkalla hjälp i händelse av olycka.
- Placera aldrig föremål i luftintaget, eftersom detta kan blockera luftflödet och skada utrustningen.
- Se till att produkten inte slår emot staket, träd eller andra hårda material. Det kan orsaka skador på maskinen och leda till allvarliga personskador.
- Var alltid uppmärksam på varningssignaler eller tillrop när hörselskydd används. Ta alltid av hörselskydden direkt när motorn har stannat.

Personlig skyddsutrustning

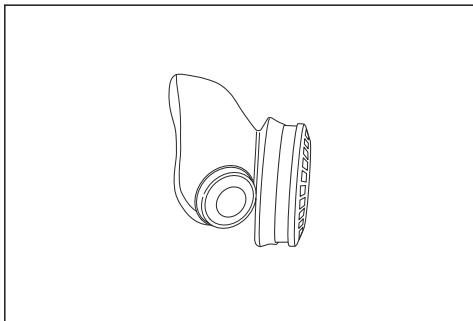


VARNING: Läs varningsinstruktionerna nedan innan du använder produkten.

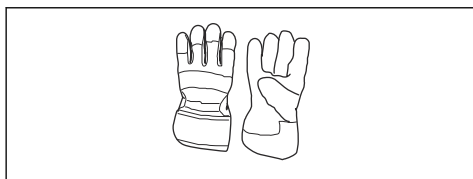
- Använd alltid godkänd personlig skyddsutrustning när du använder produkten. Personlig skyddsutrustning kan inte eliminera skaderisken helt, men den reducerar effekten av en skada vid ett eventuellt olyckstillbud. Be din återförsäljare om hjälp med att välja rätt utrustning.
- Använd godkända hörselskydd med tillräcklig dämpoeffekt. Långvarig exponering för buller kan ge bestående hörselskador.
- Använd godkänt ögonskydd. Används visir måste även godkända skyddsglasögon användas. Godkända skyddsglasögon måste uppfylla standarden ANSI Z87.1 i USA eller SS-EN 166 i EU-länder.



- Använd andningskydd när det finns risk för damm.



- Använd handskar vid behov, till exempel när du ansluter, undersöker eller rengör utrustningen.



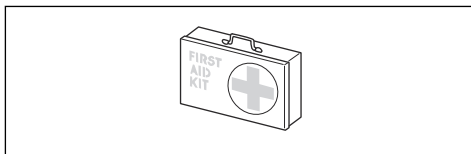
- Använd halkfria och stadiga stövlar eller skor.



- Ha på dig kläder i slitstarkt material. Bär alltid kraftiga långbyxor och överdel med långa ärmar. Använd inte löst sittande kläder som kan fastna i kvistar och grenar. Bär inte smycken, kortbyxor eller sandaler och

gå inte barfota. Sätt upp håret ordentligt så att det inte hänger nedanför axlarna.

- Ha första förband nära till hands.



Säkerhetsinstruktioner för underhåll



VARNING: Läs varningsinstruktionerna nedan innan du använder produkten.

Gör en total kontroll av produkten före användning. Se underhållsschemat.

Följ underhålls- och serviceinstruktionerna i denna bruksanvisning. Vissa underhålls- och serviceåtgärder ska utföras av utbildade och kvalificerade specialister. Se anvisningar under rubriken Underhåll.

Kontrollera alltid att inga hindrande föremål finns i luftintagsnätet innan du börjar arbeta.

För att förhindra fallskador ska montering och demontering utföras nära marken.

Använda tillbehöret

Notera: Visa personer i din omgivning hänsyn genom att undvika att använda maskinen under olämpliga tidpunkter, exempelvis sent på kvällen eller tidigt på morgonen. Minska ljudnivåerna genom att begränsa det antal enheter av utrustningen som används samtidigt. Läs igenom och följ de enkla anvisningarna så att du stör din omgivning så lite som möjligt.

1. Använd en kratta eller en sopkvast för att lösgöra fastsittande skräp från marken.
2. Rengör hörn genom att börja längst in och arbeta utåt. På så sätt undviker du ansamling av skräp som kan flyga upp i ditt ansikte.
3. Använd blåsaren med lägsta möjliga gas/hastighet. Det är sällan nödvändigt att använda full gas/hastighet. Många arbetsmoment kan utföras med halv gas/hastighet. Lägre gas/hastighet innebär mindre buller och mindre damm, och det är lättare att ha kontroll över det skräp som samlas ihop/flyttas.
4. Minimera blåstiden genom att fukta dammiga områden lätt eller med hjälp av sprututrustning.
5. Minska vattenförbrukningen genom att använda blåsare istället för vattenslangar vid olika tillämpningsområden kring gräsmatta och trädgård, exempelvis för galler, skärmar, grillar eller verandor.
6. Var försiktig när du arbetar i närheten av växter. Luftströmmen kan skada ömtåliga blommor.
7. Luftstrålens hastighet regleras med hjälp av gasreglaget. Välj den hastighet som passar bäst för uppgiften.
8. Var medveten om vindriktningen. Arbeta i vindens riktning för att underlätta ditt arbete.
9. Det är tidsödande att använda blåsaren för att flytta stora högar, och det skapar onödigt buller.
10. Håll god balans och säkert fotfäste.
11. Se till att det finns tillräckligt med utrymme mellan röret och marken för att undvika markkontakt när du arbetar med produkten.
12. Städa upp efter dig. Försäkra dig om att du inte har blåst in skräp på någons tomt. Släng skräp i sopbehållare.
13. Efter avslutat arbete ska produkten förvaras liggande.

Underhåll

Introduktion

Nedan följer några allmänna underhållsinstruktioner. Kontakta en serviceverkstad om du behöver ytterligare information.

Dagligt underhåll av tillbehöret



WARNING: Stanna alltid motorn innan du rengör eller utför underhåll på tillbehöret. Om du har en bensindriven produkt ska du koppla bort tändkabeln från tändstiftet. Om du har en batteridriven produkt tar du bort batteriet.

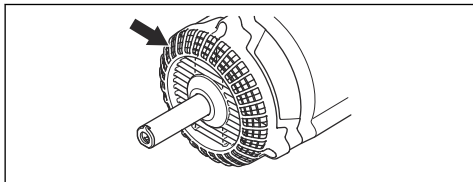


WARNING: Håll alla delar av kroppen borta från heta ytor.

1. Rengör blåsarens utsida.
2. Se till att hela höljert är fritt från sprickor.
3. Kontrollera produkten så att den är i fullgott skick.
4. Se till att alla skruvar och muttrar är åtdragna.
5. Rengör etiketterna med en fuktig trasa och ett mildt rengöringsmedel.

Kontrollera luftintagsnätet

1. Kontrollera att luftintaget inte är blockerat på någon sida inklusive undersidan, t.ex. av löv eller skräp. Ett igensatt luftintag minskar produktens blåskapacitet och ökar motorns arbetstemperatur, vilket kan medföra motorhaveri. Stanna motorn och avlägsna föremålet.



Transport, förvaring och kassering

Transport och förvaring

Utför följande efter varje användningstillfälle:

- Låt blåsaggregatet kallna före förvaring eller transport.
- Förvara högt upp på en sval och torr plats inomhus, utom räckhåll för barn.

FÖRVARING EFTER SÄSONGEN

Förbered blåsaggregatet för förvaring när säsongen är över eller om aggregatet inte ska användas på 30 dagar

eller mer. Om aggregatet ska ställas undan för förvaring under en längre period:

- Rengör produkten.
- Inspektera aggregatet avseende lösa eller skadade delar. Dra åt lösa skruvar.
- Byt ut skadade eller slitna delar.
- När nästa säsong börjar, använd endast nytt bränsle med rätt bensin/oljeblandning.

Tekniska data

Tekniska data för bensindrivna produkter

BA101	
Vikt	
Vikt, kg	1,9
Bulleremissioner	
Ljudeffektnivå, uppmätt dB(A)	109
Ljudeffektnivå, garanterad L _{WA} dB(A)	112
Ljudnivåer¹⁴⁸	
Ekvivalent ljudtrycksnivå vid användarens öra, mätt enligt EN 15503, dB(A)	99
Vibrationsnivåer¹⁴⁹	

¹⁴⁸ Ekvivalent ljudtrycksnivå beräknas med ett arbetsförlopp som varar 1/7 för tomgång och 6/7 för fullt varvtal. Rapporterade data för ekvivalent ljudtrycksnivå för maskinen har en typisk statistisk spridning (standardavvikelse) på 1 dB(A).

¹⁴⁹ Det ekvivalenta värdet för vibrationsnivå beräknas med ett arbetsförlopp som varar 1/7 för tomgång och 6/7 för rus. Rapporterade data för ekvivalent vibrationsnivå har en typisk statistisk spridning (standardavvikelse) på 1 m/s².

BA101	
Vibrationsnivåer ($a_{hv,eq}$) i handtag, uppmätt enligt EN 15503, m/s^2	
Främre/bakre handtag:	5,6/8,3
Fläktprestanda ¹⁵⁰	
Maximal lufthastighet med standardmunstycke, m/s:	66
Lufflöde med standardmunstycke, m^3/min	15

Tekniska data för batteridrivna produkter

325iLK + Blower attachment BA101	
Vikt	
Vikt, kg	2,3 + 1,9
Bulleremissioner ¹⁵¹	
Ljudeffektnivå, uppmätt dB(A)	103
Ljudeffektnivå, garanterad L_{WA} dB(A)	106
Ljudnivåer ¹⁵²	
Ljudtrycksnivå vid användarens öra mätt enligt ISO 26868, dB(A):	
Utrustad med godkänt tillbehör (original), dB(A)	93
Vibrationsnivåer ¹⁵³	
Vibrationsnivåer i handtagen mätt enligt EN 62841-1, m/s^2	
Utrustad med godkänt tillbehör (original), vänster/höger, m/s	1,6/1,1
Fläktprestanda ¹⁵⁴	
Lufflöde i normalt läge med standardmunstycke, m^3/min	14
Maximal lufthastighet i normalt läge med standardmunstycke, m/s:	52

¹⁵⁰ Tillsammans med motorn 525LK/GC2225C.

¹⁵¹ Emission av buller till omgivningen uppmätt som ljudeffekt (L_{WA}) enligt EG-direktiv 2000/14/EG. Rapporterad ljudeffektnivå för maskinen har uppmätts med den originalsårutrustning som ger den högsta nivån. Skillnaden mellan garanterad och uppmätt ljudeffekt är att den garanterade ljudeffekten också inkluderar spridning i mätresultatet och variationen mellan olika maskiner av samma modell enligt direktiv 2000/14/EG.

¹⁵² Rapporterade data för ljudtrycksnivå för maskinen har en typisk statistisk spridning (standardavvikelse) på 3 dB(A) och har mätts med det originaltillbehör som ger den högsta nivån. Uppmätt tillsammans med motorn 325iLK.

¹⁵³ Rapporterade data för vibrationsnivå har en typisk statistisk spridning (standardavvikelse) på 2 m/s^2 . Vid jämförelse av vibrationsnivåer mellan batteri- och förbränningsdrivna produkter används vibrationsberäknaren, se <https://www.husqvarna.com/uk/services-solutions/vibration-calculator/>. Uppmätt tillsammans med motorn 325iLK.

¹⁵⁴ Uppmätt tillsammans med motorn 325iLK.

Försäkran om överensstämmelse

EU-försäkran om överensstämmelse

Vi, **Husqvarna AB**, 561 82 Huskvarna, Sverige, tel:
+46-36-146500, försäkrar på eget ansvar att produkten:

Beskrivning	Blåsartillsats
Varumärke	Husqvarna
Typ/Modell	BA101
Identifiering	Serienummer daterade 2022 och framåt

uppfyller alla krav i följande EU-direktiv och förordningar:

Lagstiftning	Beskrivning
2006/42/EG	"om maskiner"
2000/14/EG	"angående emission av buller till omgivningen"
2011/65/EU	"angående begränsning av användning av vissa farliga ämnen i elektrisk och elektronisk utrustning"

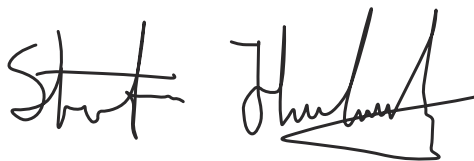
och att följande standarder och/eller tekniska
specifikationer tillämpas: EN15503:2009+A2:2015, EN
ISO 12100:2021, EN IEC 63000:2018.

RISE SMP Svensk Maskinprovning AB, Box 7035,
SE-750 07 Uppsala, Sweden har utfört frivillig typkontroll
på uppdrag av Husqvarna AB.

Certifikatsnummer: SEC/15/2416 – Husqvarna BA101.

För information om bulleremissioner, se *Tekniska data*
på sida 288.

Huskvarna, 2022-05-09



Stefan Holmberg, R&D Director, Technology
Management, Husqvarna AB

Ansvarig för teknisk dokumentation



EU-försäkran om överensstämmelse

Vi, **Husqvarna AB**, 561 82 Huskvarna, Sverige, tel:
+46-36-146500, försäkrar på eget ansvar att produkten:

Beskrivning	Lövbållstillsats med kraftaggregat (Husqvarna 325iLK)
Varumärke	Husqvarna
Typ/Modell	BA101
Identifiering	Serienummer daterade 2022 och framåt

uppfyller alla krav i följande EU-direktiv och förordningar:

Lagstiftning	Beskrivning
2006/42/EG	"om maskiner"
2000/14/EG	"angående emission av buller till omgivningen"
2011/65/EU	"angående begränsning av användning av vissa farliga ämnen i elektrisk och elektronisk utrustning"

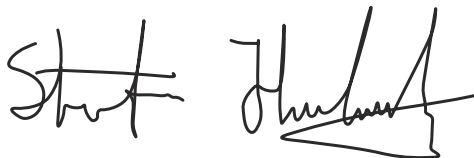
och att följande standarder och/eller tekniska specifikationer tillämpas: IEC 60335-2-100, EN IEC 63000:2018.

RISE SMP Svensk Maskinprovning AB, Box 7035, SE-750 07 Uppsala, Sweden har utfört frivillig typkontroll på uppdrag av Husqvarna AB. Certifikatsnummer: SEC/15/2416 – Husqvarna BA101.

RISE SMP Svensk Maskinprovning AB, Box 7035, SE-750 07 Uppsala, Sweden har även intygat överensstämmelse med bilaga V till rådets direktiv 2000/14/EG. Certifikatsnummer: 01/012/014.

För information om bulleremissioner, se *Tekniska data på sida 288*.

Huskvarna, 2022-05-09



Stefan Holmberg, R&D Director, Technology Management, Husqvarna AB

Ansvarig för teknisk dokumentation



İçindekiler

Giriş.....	292	Taşıma, depolama ve atma.....	300
Güvenlik.....	293	Teknik veriler.....	300
Çalışma.....	299	Uyumluluk Bildirimi.....	302
Bakım.....	299		

Giriş

Ürün açıklaması

Sahip olduğumuz sürekli ürün geliştirme politikamız nedeniyle önceden bildirimde bulunmaksızın ürünlerin tasarımı ve görünümü ile ilgili değişiklikler yapma hakkını saklı tutarız.

Not: Bu kılavuzda, hem benzinle hem de aküyle çalışan güç üniteleri ele alınmaktadır.

Kullanım amacı

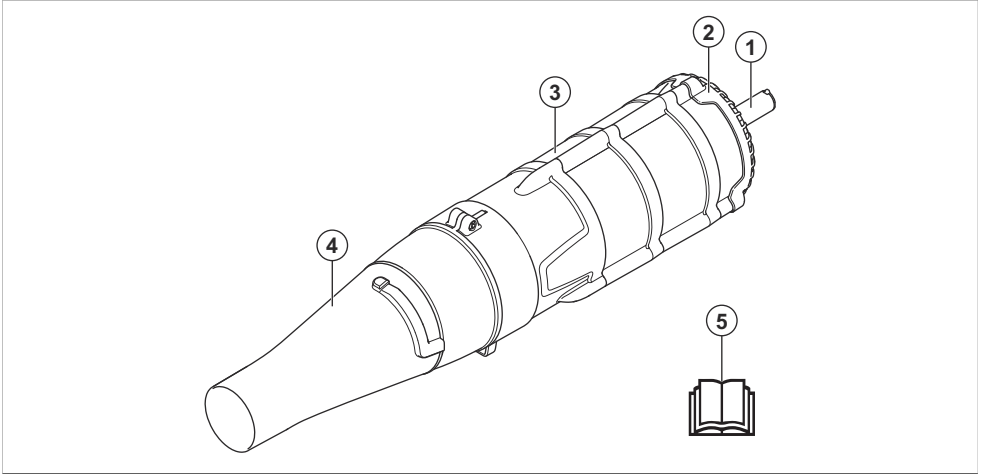


UYARI: Bu ataşman yalnızca ilgili güç

ünitesiyle birlikte kullanılabilir. Güç ünitesi için Kullanım kılavuzundaki aksesuar bölümüne bakın.

Ataşman yalnızca çimenlik alanları, patikaları, asfalt yolları ve benzeri yerleri temizlemek için tasarlanmıştır.

Ataşmana genel bakış



1. Mil
2. Hava giriş bölgesi
3. Fan muhafazası
4. Hava nozülü
5. Kullanım kılavuzu

Ataşman ve güç ünitesindeki semboller



Bu ataşmanın dikkatsiz veya hatalı kullanımı operatörde ya da başka kişilerde ciddi veya ölümcül yaralanmalara neden olabilir.



Kullanım kılavuzunu dikkatle okuyun ve ataşmanı kullanmadan önce talimatları anladığınızdan emin olun.



Bu ataşman yürürlükteki AT direktiflerine uygundur.



Bu ürün yürürlükteki Birleşik Krallık yönetmeliklerine uygundur.



Onaylı kulak, göz ve solunum koruması kullanın.



Onaylı koruyucu eldiven kullanın.



Avrupa Topluluğu Direktifi uyarınca çevreye yayılan gürültü emisyonu. Ataşmanın emisyonu Teknik veriler bölümünde ve etiketin üstünde belirtilmektedir.



Üfleyci operatörü, insan veya hayvanların 15 metreden daha yakında bulunmamasını sağlamalıdır. Aynı alanda birden fazla operatör çalışırsa en az 15 metrelik güvenlik mesafesi bırakılmalıdır. Üfleyci, geriye sıçrayabilecek nesnelere güçlü bir şekilde fırlatabilir. Bu, önerilen güvenlik donanımı kullanılmazsa ciddi göz yaralanmalarına neden olabilir.



Üfleyci, geriye sıçrayabilecek nesnelere güçlü bir şekilde fırlatabilir. Bu, önerilen güvenlik donanımı kullanılmazsa ciddi göz yaralanmalarına neden olabilir.



Ürün operatörü, çalışma sırasında insanların veya hayvanların kendisine 15 metreden fazla yaklaşmamasını sağlamalıdır.



Fan kanatları, parmakları veya eli kesebilir. Motor çalışırken güvenlik siperliklerini veya ağırları açmayın ya da çıkarmayın.

Not: Ataşmanın üzerindeki diğer semboller/etiketler, belirli pazarların sertifikalandırma gereklilikleri ile ilgilidir.

Güvenlik

Güvenlik tanımları

Kullanım kılavuzundaki önemli kısımları vurgulamak için uyarılar ve notlar kullanılmıştır.

takdirde operatör veya çevredeki kişiler için ciddi yaralanma veya ölüm tehlikesi varsa kullanılır.



UYARI: Kılavuzdaki talimatlara uyulmadığı



DİKKAT: Kılavuzdaki talimatlara uyulmadığı

takdirde ürünün ve/veya ataşmanın, diğer malzemelerin ya da çevrenin zarar görme riski olduğunda kullanılır.

ciddi kişisel yaralanmalara veya ölüme yol açabilir.

Kullanım için güvenlik talimatları



UYARI: Ürünü kullanmadan önce aşağıdaki uyarı talimatlarını okuyun.



UYARI: Bu ürün, çalışırken elektromanyetik bir alan oluşturur. Bu alan, bazı koşullarda aktif veya pasif tıbbi implantlarda girişime neden edebilir. Yaralanmaya veya ölüme neden olabilecek durumların ortaya çıkma riskini azaltmak için tıbbi implantı olan kişilerin, siz bu ürünü çalıştırmadan önce doktorlarına ve tıbbi implant üreticilerine danışmalarını öneririz.

- Yorgunsanız, hastaysanız, alkol aldıysanız veya görüşünüzü, karar verme yetinizi ya da koordinasyonunuzu etkileyebilecek ilaç ya da uyuşturucu madde kullanıyorsanız ürünü asla kullanmayın.

Not: Belirli bir durumda bilgi verilmesi gerektiğinde kullanılır.

Genel güvenlik talimatları



UYARI: Ataşmanı kullanmadan önce aşağıdaki güvenlik talimatlarını okuyun.

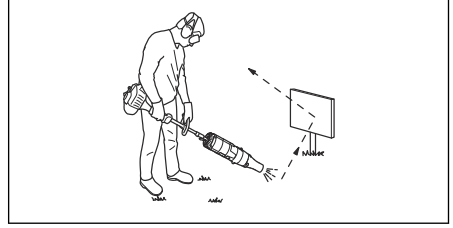
- Lütfen kullanım kılavuzunu dikkatle okuyun ve ataşmanı kullanmadan önce talimatları anladığınızdan emin olun.
- Bu Kullanım kılavuzu, tüm kullanıcı bilgilerini almak için güç ünitesinin Kullanım kılavuzu ile birlikte okunmalıdır.
- Üreticinin izni alınmadan ataşman tasarımında hiçbir şekilde değişiklik yapılamaz. Başkaları tarafından üzerinde değişiklik yapılmış gibi görünen bir ataşmanı kullanmayın ve her zaman orijinal aksesuarları kullanın. Onaylanmayan değişiklikler ve/veya aksesuarlar operatörler veya diğerleri için

- Arızalı bir ürünü kesinlikle kullanmayın.
- Çalıştırmadan önce tüm kapaklar ve siperlikler takılmış olmalıdır. Benzinle çalışan bir ürününüz varsa elektrik çarpması riskini önlemek için buji kapağının ve ateşleme ucunun hasarlı olmadığından emin olun.
- Üfleyici operatörü, insan veya hayvanların 15 metreden daha yakında bulunmamasını sağlamalıdır. Aynı alanda birden fazla operatör çalışıyorsa en az 15 metrelik güvenlik mesafesi bırakılmalıdır.
- Çocukların ürünü kullanmasına asla izin vermeyin.
- Kullanım kılavuzunun içindeki bilgileri tam olarak okuyup anladığından emin olmadığınız kişilerin ürünü kullanmasına kesinlikle izin vermeyin.
- Hava giriş bölmesini asla çıkarmayın.
- Motor çalışırken bujiye veya ateşleme kablosuna asla dokunmayın. Bujiye ya da prize dokunmak elektrik şokuna neden olabilir.
- Her zaman yerel yetkililerle başvurun ve geçerli direktiflere uyduğunuzdan emin olun.
- Vücudunuzun tüm bölümlerini sıcak yüzeylerden uzakta tutun.
- Nasıl devam etmeniz gerektiği konusunda emin olmadığınız bir durumla karşılaşırsanız bir uzmana danışmalısınız. Bayiniz veya servis atölyenizle iletişime geçin. Yapabileceğinizin ötesinde olduğunu düşündüğünüz hiçbir çalışmayı yapmayın.
- Üfleyicinin ağzını yere olabildiğince yakın tutun. Hava akımını yere yakın tutmak için üfleme borusunu boydan boya kullanın.
- Çevreye gereğinden fazla rahatsızlık vermemek için makineyi normal çalışma saatlerinde kullanın. Sabah erken veya gece geç çalışmayın.
- Çevrenize dikkat edin. Çalıştığınız alana yaklaşan bir kişi olursa bu kişi güvenli mesafede oluncaya kadar gaz/güç tetiğini serbest bırakın. Üfleyiciyi insanlara, hayvanlara, oyun alanlarına, açık pencerelere, arabalara vs. doğrultmayın. Havanın gücü taş, toprak ya da dal parçalarının, insanları ya da hayvanları yaralayacak,

camları kırarak ya da başka hasarlara yol açacak şekilde fırlamasına veya sekmesine neden olur.

- Döner pervanenin neden olabileceği ciddi yaralanmalardan kaçınmak için üfleyici muhafazasının içine asla elinizi ya da diğer nesnelere sokmayın.
- Dış yüzeye yağ ya da yakıt bulaşmamasına dikkat edin.
- Asla kimyasallar, gübre ya da zehirli malzeme içerebilecek malzemelerin dağıtılması için kullanmayın.
- Asla yaprak ya da çalı yangınlarının, şöminelerin, barbekülerin, kül tablalarının vs. yakınında alevlerin yayılmasını önlemek için kullanmayın.
- Ataşmana asla su ya da başka bir sıvı dökmeyin veya püskürtmeyin.
- Makineyi tutmak için mutlaka iki elinizi birlikte kullanın. Makineyi vücudunuzun yan tarafında tutun.
- Benzinle çalışan bir ürününüz varsa yakıt doldurmadan önce motorun soğumasını bekleyin.
- Güçlü hava akımları, nesnelere geriye sıçratarak ciddi göz yaralanmalarına

neden olabilecek kadar hızlı hareket ettirebilir.



- Aksesuarları veya diğer parçaları monte etmeden ya da sökmeden önce motoru durdurun.
- Ürünü yoğun sis, şiddetli yağmur, kuvvetli rüzgar, aşırı soğuk gibi kötü hava koşullarında kullanmayın. Kötü hava koşullarında çalışmak yorucudur ve kaygan yüzeyler gibi tehlikeli durumlara yol açabilir.
- Güvenli bir şekilde hareket edebildiğinizden ve ayakta durabildiğinizden emin olun. Ani hareket etmeniz gerekebileceğini göz önünde bulundurarak çevrenizdeki olası engelleri (kökler, taşlar, dallar, hendekler vs.) kontrol edin. Meyilli yüzeyde çalışırken daha dikkatli olun.



- Görüş alanınızda değilken ürünü motor çalışır halde asla yere koymayın.
- Benzinle çalışan bir ürününüz varsa motor egzozu dumanları, karbon monoksit içerir ve karbon monoksit zehirlenmesine neden olabilir. Bu nedenle ürünü kapalı ya da havalandırması yetersiz olan yerlerde çalıştırmamalı ve kullanmamalısınız.
- Üfleyici bir merdiven veya iskele üzerinde ya da yüksek yerlerde (ör. çatılar) kullanılmamalıdır. Bu şekilde çalışmak ağır yaralanmalara yol açabilir.



- Bir kaza durumunda yardım isteyemeyecekseniz ürünü kullanmayın.
- Düzgün hava akışını sınırlandırabileceği ve üniteye zarar verebileceği için asla hava girişi açıklığına herhangi bir nesne yerleştirmeyin.
- Ürünün çit, ağaç veya başka sert bir malzemeye çarpmadığından emin olun. Böyle bir durumda makine

hasar görebilir veya kullanıcı ciddi şekilde yaralanabilir.

- Kulak koruma ekipmanı takarken uyarı sinyallerine veya bağırma seslerine karşı dikkatli olun. Motor durmaz durmaz kulak koruma ekipmanınızı hemen çıkarın.

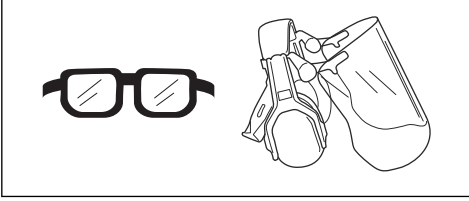
Kişisel koruyucu ekipman



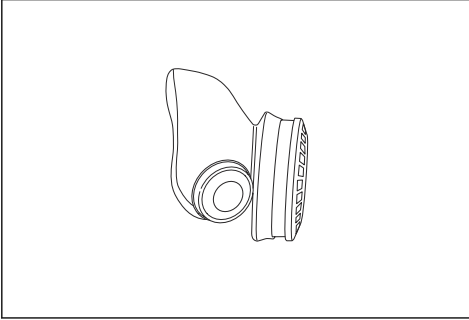
UYARI: Ürünü kullanmadan önce aşağıdaki uyarı talimatlarını okuyun.

- Ürünü kullanırken daima onaylı kişisel koruyucu ekipmanları kullanın. Kişisel koruyucu ekipmanlar yaralanma riskini tamamen engelleyemez ancak bir kaza durumunda yaralanmanın derecesini azaltır. Bayinizin doğru ekipmanı seçmenize yardımcı olmasını sağlayın.
- Yeterli gürültü azaltması sağlayan onaylı kulak koruma ekipmanını kullanın. Uzun süre gürültüye maruz kalınması sürekli işitme bozukluğuna yol açabilir.
- Onaylı koruyucu gözlük kullanın. Vizör kullanıyorsanız onaylı koruma gözlüğü de kullanmanız gerekir. Onaylı koruma gözlükleri ABD'de ANSI Z87.1, AB ülkelerinde

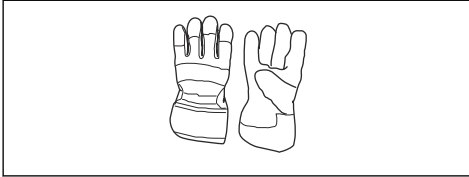
EN 166 standardıyla uyumlu olmalıdır.



- Toz riski varsa solunum koruması kullanın.



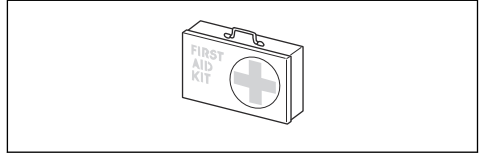
- Donanımını takma, kontrol etme veya temizleme gibi gerekli durumlarda eldiven kullanın.



- Sağlam, kaymayan botlar veya ayakkabılar giyin.



- Sağlam kumaştan yapılmış kıyafetler kullanın. Daima kalın ve uzun pantolonlarla uzun kollu kıyafetler kullanın. Çalılara ve dallara takılabilecek bol kıyafetler kullanmayın. Takı takmayın; şort, sandalet giymeyin veya çıplak ayakla dolaşmayın. Saçınızı güvenli bir şekilde omuz hizasının üzerinde toplayın.
- İlk yardım ekipmanını yakında bulundurun.



Bakım için güvenlik talimatları



UYARI: Ürünü çalıştırmadan önce aşağıdaki uyarı talimatlarını okuyun.

Kullanmadan önce ürünü genel olarak kontrol edin. Bakım takvimini inceleyin.

Bu kılavuzda belirtilen bakım ve servis talimatlarına uyun. Bazı bakım ve servis işlerinin sadece yetkili ve kalifiye teknisyenler tarafından yapılması gerekir. Bakım başlığı altındaki talimatlara bakın.

Çalışmaya başlamadan önce herhangi bir nesnenin hava giriş bölmesini tıkayıp tıkamadığını mutlaka kontrol edin.

Ürünün düşerek hasar görmesini önlemek için

montaj ve sökme işlemleri zemine yakın bir konumda gerçekleştirilmelidir.

Çalışma

Ataşmanı kullanma

Not: Çevredeki insanları rahatsız etmemek için akşamın geç saatleri veya sabahın erken saatleri gibi uygun olmayan zamanlarda makineyi kullanmaktan kaçının. Aynı anda kullanılan ekipman ünitesi sayısını sınırlandırarak gürültü düzeyini azaltın. Çevrenize olabildiğince az rahatsızlık vermek için temel talimatları okuyun ve izleyin.

1. Yere yapışmış çöpleri ayırmak için tırmık veya süpürge kullanın.
2. Köşeleri temizlerken işe tam köşeden başlayıp dışarıya doğru ilerleyin. Bu, yüzünüze doğru gelebilecek birikintilerin oluşmasını önlemeye yardımcı olur.
3. Üfleyciyi mümkün olan en düşük gazda/hızda kullanın. Ürünü tam gaz/hızda kullanmak nadiren gerekir ve birçok iş yarım gaz/hızda yapılabilir. Düşük gaz/hız daha az gürültü ve daha az toz anlamına gelir ve ayrıca toplanan/taşınan çöpleri kontrol altında tutulmasını da kolaylaştırır.
4. Tozlu alanları hafifçe ıslatarak veya sprey ekipmanı kullanarak üfleme zamanını en aza indirin.

5. Kafes, paravan, panjur ve sundurma gibi çeşitli çimenlik alan ve bahçe uygulamalarında su hortumları yerine üfleycileri kullanarak su tüketimini azaltın.
6. Bitkilerin yakınında çalışırken dikkatli olun. Havanın gücü hassas bitkilere zarar verebilir.
7. Hava jetinin hızı gaz/güç tetiği ile düzenlenir. İlgili göreve en uygun hızı seçin.
8. Rüzgar yönüne dikkat edin. İşinizi kolaylaştırmak için rüzgar yönünde çalışın.
9. Büyük yığınları taşımak için üfleyciyi kullanmak zaman alır ve gereksiz gürültü yaratır.
10. Dengenizi koruyun ve yere sağlam basın.
11. Çalışırken ürünün zemine temas etmemesi için hortumla zemin arasındaki mesafeyi koruyun.
12. İşiniz bittikten sonra temizlik yapın. Çöplerin başka bir bahçeye gitmediğinden emin olun. Pislikleri çöp kutularına atın.
13. İş tamamlandıktan sonra ürün yatay konumda saklanmalıdır.

Bakım

Giriş

Aşağıda bazı genel bakım talimatlarını bulabilirsiniz. Daha fazla bilgiye ihtiyaç duyarsanız lütfen servisle iletişime geçin.

Ataşmanda günlük bakım yapma



UYARI: Ataşman üzerinde temizlik veya bakım yapmadan önce daima motoru durdurun. Benzinle çalışan bir ürününüz varsa ateşleme

kablosunu bujiden çıkarın. Aküyle çalışan bir ürününüz varsa aküyü çıkarın.



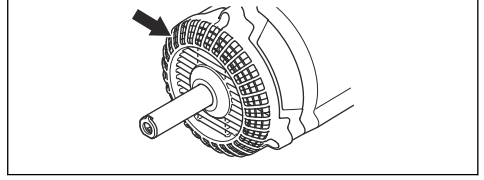
UYARI: Vücudunuzun tüm bölümlerini sıcak yüzeylerden uzakta tutun.

1. Üfleycinin dış yüzeyini temizleyin.

2. Muhafazaların hiçbirinde çatlak olmadığından emin olun.
3. Ürünün mükemmel şekilde çalışır durumda olduğundan emin olun.
4. Tüm somun ve vidaların sıkı olduğundan emin olun.
5. Islak bez ve hafif bir deterjan kullanarak etiketleri temizleyin.

Hava giriş bölmesini kontrol etme

1. Hava girişinin alt kısmı da dahil olmak üzere herhangi bir tarafının yaprak veya çöp gibi nesnelere tıkanıp tıkanmadığını kontrol edin. Tıkanmış hava girişi, ürünün üfleme kapasitesini azaltıp motorun çalışma ısısını yükselterek motorun arızalanmasına neden olabilir. Motoru durdurun ve nesneyi çıkarın.



Taşıma, depolama ve atma

Taşıma ve depolama

Her kullanımdan sonra aşağıdaki işlemleri gerçekleştirin

- Makineyi saklamadan veya taşımadan önce aparatın soğumasını bekleyin.
- Çocukların ulaşamayacağı, yüksek, serin, kuru ve kapalı bir yerde saklayın.

SEZON SONUNDA KALDIRMA

Sezon sonunda veya 30 gün ya da daha uzun bir süre kullanılmıyacaksa ataşmanı uzun süreli

depolama için hazırlayın. Üfleyci ataşmanını uzun süre saklayacaksınız:

- Üniteyi temizleyin.
- Aparatta gevşek veya hasarlı parçalar olup olmadığını kontrol edin. Gevşek vidaları sıkın.
- Tüm hasarlı, aşınmış ya da kırık parçaları değiştirin.
- Bir sonraki sezonun başında, yalnızca doğru oranda benzin-yağ karışımına sahip taze yakıt kullanın.

Teknik veriler

Benzinle çalışan ürünler için teknik veriler

BA101	
Ağırlık	
Ağırlık, kg	1,9
Gürültü yayma	
Ses gücü seviyesi, ölçülmüş dB (A)	109
Ses gücü seviyesi, L _{WA} dB (A) garantili	112
Ses seviyeleri ¹⁵⁵	
EN15503 uyarınca ölçülen operatörün kulağında oluşan eşdeğer ses basınç düzeyi, dB(A)	99

¹⁵⁵ Eşdeğer ses basınç düzeyi değeri, boşta çalışma için 1/7 ve hızlı çalışma için 6/7 çalışma döngüsü zamanıyla hesaplanmıştır. Makinenin eşdeğer ses basıncı seviyesi için bildirilen verilerdeki tipik istatistik dağılım (standart sapma) 1 dB(A) değerindedir.

BA101	
Titreşim seviyeleri ¹⁵⁶	
EN 15503 uyarınca ölçülen tutma yerlerindeki eşdeğer titreşim düzeyleri ($a_{hv,eq}$), m/sn ²	
Ön/arka tutma yerleri:	5,6/8,3
Fan performansı ¹⁵⁷	
Standart uç ile maks. hava hızı, m/sn:	66
Standart nozül ile hava akışı m ³ /dak.	15

Aküyle çalışan ürünler için teknik veriler

325iLK + Blower attachment BA101	
Ağırlık	
Ağırlık, kg	2,3+1,9
Gürültü yayma ¹⁵⁸	
Ses gücü seviyesi, ölçülmüş dB (A)	103
Ses gücü seviyesi, L _{WA} dB (A) garantili	106
Ses seviyeleri ¹⁵⁹	
ISO 26868 uyarınca ölçülen operatörün kulağında oluşan ses basıncı seviyesi, dB(A)	
Onaylı aksesuarla (orijinal) donatılmış, dB (A)	93
Titreşim seviyeleri ¹⁶⁰	
EN 62841-1 uyarınca ölçülen tutma yerlerindeki titreşim düzeyleri, m/sn ²	
Onaylı aksesuarla (orijinal) donatılmış, sol/sağ, m/sn	1,6/1,1
Fan performansı ¹⁶¹	
Standart uç ile normal modda hava akışı, m ³ /dak	14
Standart uç ile normal modda maksimum hava hızı, m/sn:	52

¹⁵⁶ Eşdeğer titreşim düzeyi değeri, boşta çalışma için 1/7 ve hızlı çalışma için 6/7 çalışma döngüsü zamanıyla hesaplanmıştır. Eş değer titreşim seviyesi için bildirilen verilerin tipik istatistik dağılımı (standart sapması) 1 m/sn² şeklindedir.

¹⁵⁷ 525LK/GC2225C motor ünitesiyle birlikte.

¹⁵⁸ 2000/14/AT sayılı AT direktifi uyarınca ses gücü (L_{WA}) olarak çevrede ölçülen gürültü yayma seviyesi. Makine için bildirilen ses seviyesi, en yüksek seviyeyi veren orijinal kesme donanımıyla ölçülmüştür. Garanti edilen ve ölçülen ses düzeyi arasındaki fark, garantili ses gücünün 2000/14/AT Sayılı Direktif doğrultusunda ölçüm sonucundaki dağılımı ve aynı modelden farklı makineler arasındaki değişimleri de içermesidir.

¹⁵⁹ Makinenin ses basıncı seviyesi için bildirilen verilerdeki tipik istatistik dağılımı (standart sapma) 3 dB (A) şeklindedir ve en yüksek seviyeyi veren orijinal ataşmanla ölçülmüştür. 325iLK motor ünitesiyle birlikte ölçülmüştür.

¹⁶⁰ Titreşim düzeyi için bildirilen verilerin tipik istatistik dağılımı (standart sapması) 2 m/sn² şeklindedir. Akü ve yakıtla çalışan ürünlerin titreşim seviyelerini karşılaştırmak için titreşim hesaplayıcıyı kullanın. Bkz. <https://www.husqvarna.com/tr/servisler-ve-cozumler/titresim-hesaplayici/>. 325iLK motor ünitesiyle birlikte ölçülmüştür.

¹⁶¹ 325iLK motor ünitesiyle birlikte ölçülmüştür.

Uyumluluk Bildirimi

AB Uyumluluk Bildirimi

Biz, **Husqvarna AB**, SE-561 82 Huskvarna, İsveç, tel: +46-36-146500 olarak tek sorumlu vasfıyla ürüne ilişkin aşağıdaki beyanlarda bulunmaktayız:

Açıklama	Üfleyci ataşmanı
Marka	Husqvarna
Tip/Model	BA101
Kimlik	2022 ve sonrası tarihli seri numaraları

aşağıdaki AB direktifleri ve yönetmelikleriyle tamamen uyumludur:

Düzenleme	Açıklama
2006/42/AT	"makinelele ilgili"
2000/14/AT	"çevredeki gürültü emisyonlarıyla ilgili"
2011/65/AB	"elektrikli ve elektronik ekipmanlarda belirli tehlikeli maddelerin kullanımının kısıtlanmasıyla ilgili"

ve aşağıdaki standartlar ve/veya teknik özellikler uygulanmıştır: EN15503:2009+A2:2015, EN ISO 12100:2021, EN IEC 63000:2018.

RISE SMP Svensk Maskinprovning AB, Box 7035, SE-750 07 Uppsala, Sweden; Husqvarna AB adına gönüllü olarak tip incelemesi gerçekleştirmiştir.

Sertifika numarası: SEC/15/2416 – Husqvarna BA101.

Gürültü emisyonları ile ilgili bilgi için bkz. *Teknik veriler sayfa: 300.*

Huskvarna, 2022-05-09

Stefan Holmberg, AR-GE Direktörü, Teknoloji Yönetimi, Husqvarna AB

Teknik dokümantasyon sorumlusu

Türk ithalat şirketi daha fazla bilgi için temas edilecek:
Çullas Orman Bahçe ve Tarım Mak. San. Tic. A.Ş.
Suadiye Mh. Bağdat Cd. No:45/4
Kadıköy – 34740 İstanbul / Türkiye
Telefon: +90 216 519 88 82
Faks: +90 216 519 88 78
info@cullas.com.tr



AB Uyumluluk Bildirimi

Biz, **Husqvarna AB**, SE-561 82 Huskvarna, İsveç, tel: +46-36-146500 olarak tek sorumlu vasfıyla ürüne ilişkin aşağıdaki beyanlarda bulunmaktayız:

Açıklama	Güç üniteli üfleyci ataşmanı Husqvarna 325iLK
Marka	Husqvarna
Tıp/Model	BA101
Kimlik	2022 ve sonrası tarihli seri numaraları

aşağıdaki AB direktifleri ve yönetmelikleriyle tamamen uyumludur:

Düzenleme	Açıklama
2006/42/AT	"makinelere ilgili"
2000/14/AT	"çevredeki gürültü emisyonlarıyla ilgili"
2011/65/AB	"elektrikli ve elektronik ekipmanlarda belirli tehlikeli maddelerin kullanımının kısıtlanmasıyla ilgili"

ve aşağıdaki standartlar ve/veya teknik özellikler uygulanmıştır: IEC 60335-2-100, EN IEC 63000:2018.

.RISE SMP Svensk Maskinprovning AB, Box 7035, SE-750 07 Uppsala, Sweden; Husqvarna AB adına gönüllü olarak tip incelemesi gerçekleştirmiştir. Sertifika numarası: SEC/15/2416 – Husqvarna BA101.

.RISE SMP Svensk Maskinprovning AB, Box 7035, SE-750 07 Uppsala, Sweden; 2000/14/EG konysey direktifinin V. ekiyle uyumluluęu da doęrulamıştır. Sertifika numarası: 01/012/014.

Gürültü emisyonları ile ilgili bilgi için bkz. *Teknik veriler sayfa: 300.*

Huskvarna, 2022-05-09

Stefan Holmberg, AR-GE Direktörü, Teknoloji Yönetimi, Husqvarna AB

Teknik dokümantasyon sorumlusu

Türk ithalat şirketi daha fazla bilgi için temas edilecek:

Çullas Orman Bahçe ve Tarım Mak. San. Tic. A.Ş.

Suadiye Mh. Bağdat Cd. No:455/4

Kadıköy – 34740 İstanbul / Türkiye

Telefon: +90 216 519 88 82

Faks: +90 216 519 88 78

info@cullas.com.tr



内容

引言.....	304	运输、存放和废弃处理.....	310
安全性.....	305	技术参数.....	310
操作.....	309	一致性声明.....	312
维护.....	309		

引言

产品说明

本附件仅适用于吹扫草坪、小路、沥青道路和类似区域。

连续开发产品是我们的政策，因此我们保留修改产品设计和外观的权利，恕不事先通知。

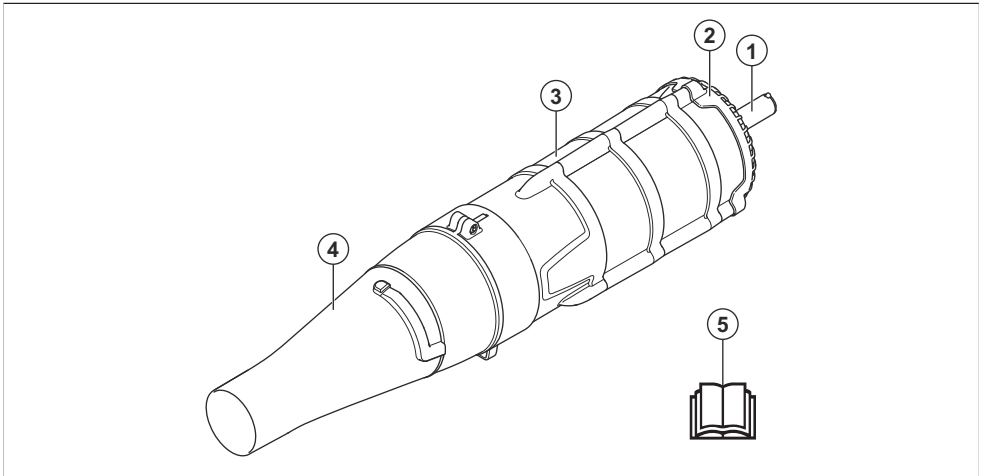
注意： 本手册涵盖了汽油驱动型和电池驱动型动力装置。

预期用途



警告： 此附件只能与预期的动力装置一起使用。有关动力装置的信息，请参阅操作手册的附件章节。

产品概览



1. 刀轴
2. 进气栅网
3. 风扇罩
4. 喷气嘴
5. 操作手册

附件和动力装置上的符号



使用本产品时疏忽大意或使用不当有可能导致操作人员或其他人员受到严重或致命伤害。



请认真阅读操作手册，确保在充分理解各项说明之后再使用附件。



本附件符合适用的 EC 指令的要求。

本产品符合适用的英国法规。



使用经批准的听力、视力和呼吸防护装置。



请使用获得批准的防护手套。



环境噪音排放符合欧盟指令的要求。本附件的噪音排放放在“技术参数”一章和标签上有详细说明。



吹叶机操作员必须确保 15 米范围内无任何人员或动物。当多名操作员在同一现场工作时，之间必须保持至少 15 米的安全距离。吹叶机将以很大的力量抛出可能反弹回来的物体。如果未使用建议的安全装备则可能会导致眼部严重受伤。



吹叶机将以很大的力量抛出可能反弹回来的物体。如果未使用建议的安全装备则可能会导致眼部严重受伤。



作业过程中，产品操作员必须确保 15 米范围内无任何人员或动物。



手指或手可能会被风机叶片割断。不要在引擎运转时打开或拆下安全防护罩或防护网。

注意：有关本附件上的其他符号/标识，请参阅适用于特定市场的特殊认证要求。

安全性

安全定义

本操作手册使用了“警告”、“小心”和“注释”来指出特别重要的内容。



警告：当不遵守手册中的说明可能会给操作员或周围人员带来伤害或死亡风险时，会使用此标志。



小心：当不遵守手册中的说明可能会对产品和/或附件、其他材料或附近区域

造成损坏时，会使用此标志。

注意：用于提供特定状况下所需的更多信息。

一般安全须知



警告：请在使用本产品前阅读下面的安全须知。

- 请认真阅读操作手册，确保在充分理解各项说明之后再使用本产品。

- 本操作手册应与动力装置操作手册一起阅读，以便获得完整的用户信息。
- 任何情况下，未经制造厂的许可，不得修改本产品的设计。请勿使用似乎已被他人改动过的附件，并且一定要使用原厂附件。未经许可擅自修改，或使用未经认可的附件，可能会对操作员或其他人员造成严重的伤害或死亡。

操作安全须知



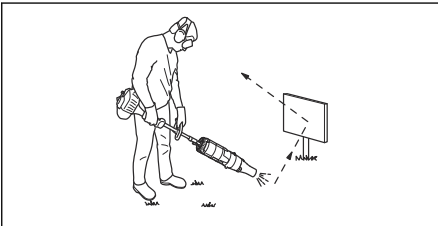
警告：请在使用本产品前阅读下面的警告说明。



警告：本产品在操作期间会产生电磁场。电磁场在某些情况下会干扰有源或无源医疗植入体。为了减少严重或致命性伤害风险，我们建议使用医疗植入体的人员在操作本产品之前事先咨询其医生及医疗植入体制造商。

- 吹风机操作员必须确保 15 米范围内无任何人员或动物。当多名操作员在同一现场工作时，他们彼此之间必须保持至少 15 米的安全距离。
 - 严禁儿童使用本产品。
 - 在事先未确定其他人是否阅读和理解了本操作手册的内容之前，禁止其使用本产品。
 - 切勿拆下进气栅网。
 - 切勿在引擎运行时触摸火花塞或点火线。接触火花塞或插头可能遭到电击。
 - 请与当地有关当局联络，并确定您遵循相关的规定。
 - 使您的身体部位远离发热表面。
 - 当您遇到任何情况，不知如何继续时，请咨询专家。与您的经销商或保养厂联系。避免任何超出您能力范围的使用。
 - 使吹风机的开口尽可能靠近地面。利用吹管的整个长度来使气流贴近地面。
 - 在正常工作时间内使用机器以避免不必要的干扰。避免在清晨或夜间工作。
 - 注意周围。如果有人靠近您的工作区域，应松开油门/开关扳机，直到该人处于安全距离为止。吹风机应远离人员、动物、游乐场地、敞开的窗户、汽车等。风力可能造成岩石、尘土或树枝被抛出或弹起，会引起人或动物受伤、玻璃破碎或产生其他破坏。
- 感到疲劳、身体生病、饮酒后或服用了影响视力、判断力或协调能力的药品或药物时请勿操作本产品。
 - 禁止使用有故障的产品。
 - 启动前必须安装好所有的盖子和防护罩。如为汽油驱动型产品，确保火花塞线帽和点火器导线未受损，以免出现电击风险。

- 不得将手或其他物体放入吹风机壳体中，以免被旋转的叶轮严重伤害。
- 保持外部表面没有机油和燃油。
- 不得用于喷洒化学品、肥料或其他有毒材料。
- 为避免使火势蔓延，不得在树叶或灌丛火灾、壁炉、烧烤炉、烟灰缸等附近使用本机。
- 不得使附件被水或任何其他液体浸湿或喷湿。
- 务必用双手握住机器。从与身体同一侧的方向握住机器。
- 如为汽油驱动型产品，加油前先让引擎冷却。
- 强大的气流可能会使物体以弹回速度移动并导致严重的眼睛受伤。

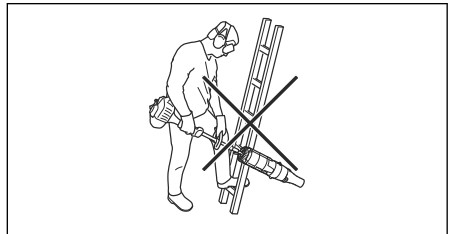


- 安装或拆卸附件或其他零件前应停止引擎/电机。
- 避免在不良的天气情况下使用本产品，例如浓雾、大雨、强风或是严寒等。在天气不良的情况下工作容易让人疲倦，更可能造成危险状况，例如容易滑倒的地面。
- 确保您可以安全地移动与站立。检查您的周围区域是否存在障碍物（树根、岩石、树枝、沟渠等），以免您突然移

动。在倾斜地面上工作时，要特别小心。




- 切勿在引擎/电机运转的情况下放下本产品，除非是放在您可以清楚看到的位置。
- 如为汽油驱动型产品，引擎废气中含有一氧化碳，会导致一氧化碳中毒。因此，不应在室内或通风不佳的任何地方启动或运行本产品。
- 在梯子或脚手架上或在高处（如屋顶）禁止使用吹风机。否则将会导致严重受伤。



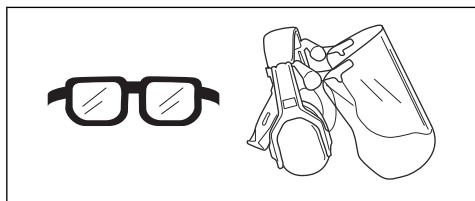
- 如果发生事故时无法求救，请勿使用本产品。
- 不得将任何东西放入进气口中，这会限制空气的正常流动，造成机器损坏。
- 确保本产品不会撞到任何的栅栏、树木或其他坚硬材料。这会造成机器损坏，导致严重伤害。
- 戴有听觉保护设备时，请留意警告信号或呼喊声。一旦引

擎/马达停机，便取下听觉保护设备。

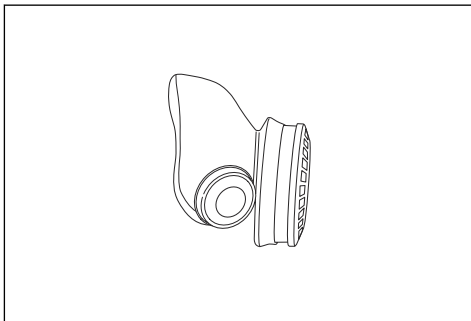
个人防护装备

 **警告：** 请在使用本产品前阅读下面的警告说明。

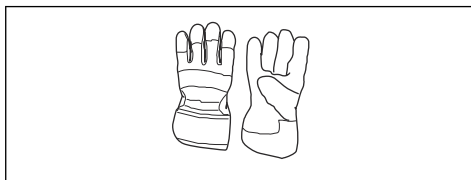
- 操作产品时务必使用获得批准的个人防护装备。个人防护装备不能完全避免受伤，但当意外发生时，可降低伤害程度。请经销商协助您选择正确的防护装备。
- 使用获得批准的听觉保护设备，尽量降低噪音。长期接触噪音可能会导致永久性听力损伤。
- 请使用获得批准的眼部保护装备。如果佩戴面罩，必须同时佩戴获得批准的护目镜。在美国，经批准的护目镜必须符合 ANSI Z87.1 标准；在欧盟国家/地区，必须符合 EN 166 标准。



- 存在粉尘风险时，请佩戴呼吸防护装置。



- 必要时戴上手套，例如在安装、检查或清洁设备时。

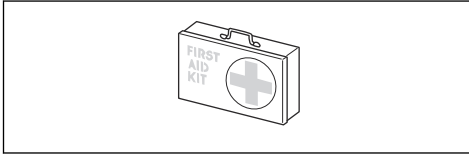


- 穿上坚固的防滑靴或防滑鞋。



- 穿着高强度纤维制成的衣物。务必穿着结实的长裤和长袖衣服。切勿穿着容易钩住小树枝和分枝的衣物。切勿佩戴珠宝、穿着短裤、凉鞋或光脚。确保头发安全地挽在肩部以上。

- 确保急救箱触手可及。



维护安全须知



警告：请在操作本产品前阅读下面的警告说明。

使用前应对本产品进行全面检查。请参阅维护时间表。

操作

使用附件

注意：考虑到周围的居民，应避免在不适当的时间使用机器，如夜间或清晨。限制同时使用的设备装置数量以降低噪音。通读并遵循简单指示，以便尽可能减少对周边的干扰。

1. 使用耙子或刷子清除粘在地面上的垃圾。
2. 清理角落时，首先从角落内部开始，然后向外清理。这样有助于防止碎屑堆积，以免碎屑飞向脸部。
3. 使用吹风机时尽可能使用最低的油门/速度。很少需要使用全开油门/全速，很多工作流程均可以半油门/半速完成。较低的油门/速度意味着较低的噪音和较少的灰尘，此外还更易于控制收集/移动的垃圾。
4. 轻微湿润多尘区域或使用喷洒设备可尽量减少吹扫时间。
5. 在草地和花园周围的不同应用场合（如格栅、栅网、格子、门廊等）中使用吹风机取代水管可减少耗水量。

6. 在植物附近作业时应特别小心。风力可能损坏娇嫩植物。
7. 空气喷嘴的速度可通过油门/开关扳机进行调节。选择最适于各自任务的速度。
8. 注意风向。利用风力更易于工作。
9. 使用吹风机移动大型堆积物非常耗时，并产生不必要的噪音。
10. 请保持平衡并找到牢固的立足处。
11. 使吹风管与地面之间保持一定间隙，以免本产品在工作期间接触地面。
12. 之后进行清理。确保您未将垃圾吹入他人的花园。将碎屑倒入垃圾桶中。
13. 完成工作时应水平存放本产品。

维护

简介

以下是部分一般维修说明。欲知更多详情，请与保养厂联络。

对附件进行日常保养



警告：在对附件进行清洁或维护之前，请务必先停止引擎/电机运转。如为汽

按照本手册中的说明进行维护和保养。部分维修和保养措施必须由受过培训并有相应资质的专家进行。请参阅“维修和保养”一节的说明。

开始工作前，务必检查有无任何可能堵塞进气栅网的物体。

为防止本产品跌落而造成损坏，应在靠近地面的位置进行拆装。

油驱动型产品，请断开火花塞上的点火线。如为电池供电型产品，请取下电池。

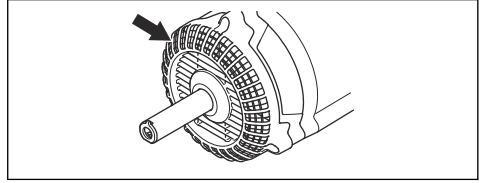


警告：使您的身体部位远离发热表面。

1. 清洁吹风机外表面。
2. 确保外壳上没有裂痕。
3. 确保产品处于正常状态。
4. 确保所有螺母和螺丝均已上紧。
5. 使用湿布和温和洗涤剂将标签清洁干净。

检查进气栅网

1. 检查确保各侧（包括外侧）的空气吸入口未被树叶或垃圾等堵塞。空气吸入口堵塞会降低本产品的吹风能力，并使引擎/电机的工作温度升高，从而导致引擎/电机故障。停止引擎/电机并清除物体。



运输、存放和废弃处理

运输及存放

每次使用完毕，应采取以下措施：

- 让附件冷却之后再存放或运输。
- 存放在干燥凉爽的室内较高位置，且不会被儿童够到的地方。

- 清洁机器。
- 检查附件是否有任何零件松动或损坏。拧紧任何松动的螺钉。
- 更换任何损坏、磨损或破损的零件。
- 在下一个季节来临时，只能使用汽油机油比合适的新鲜燃油。

季节性存放

每季结束时，或者长期不用超过 30 天时，为附件做好存放准备。如果吹风机附件要存放一段时间：

技术参数

汽油驱动产品的技术数据

BA101	
重量	
重量 (kg)	1.9
噪音排放	
声功率级 (测量值), dB (A)	109
声功率级, 保证值 L _{WA} dB (A)	112
声级 ¹⁶²	
操作员耳旁的等效声压级, 根据 EN15503 测得, 单位为 dB(A)	99
振动水平 ¹⁶³	
手柄的等效振动水平 (a _{h_v,eq}) 根据 EN 15503 测量得出, 单位为 m/s ²	
前/后手柄:	5.6/8.3
风机性能 ¹⁶⁴	

¹⁶² 等效声压级值按照持续时间分别为 1/7 (怠速) 和 6/7 (运行) 的工作循环计算得出。本机的等效声压级的报告数据具有一个 1 dB(A) 的典型统计离差 (标准偏差)。

¹⁶³ 等效振级值按照持续时间分别为 1/7 (怠速) 和 6/7 (运行) 的工作循环计算得出。等效振级值的报告数据中具有一个 1 米/秒² 的典型统计离差 (标准偏差)。

¹⁶⁴ 连同 525LK/GC2225C 引擎装置。

BA101	
标准喷嘴的最大气流速度, m/s :	66
标准喷嘴的气流量, m ³ /min	15

电池供电产品的技术数据

325iLK + Blower attachment BA101	
重量	
重量 (kg)	2.3+1.9
噪音排放 ¹⁶⁵	
声功率级 (测量值) , dB (A)	103
声功率级, 保证值 L _{WA} dB (A)	106
声级 ¹⁶⁶	
操作人员耳旁的声压级, 根据 ISO 26868 测量得出, 单位为 dB(A)	
配有经过批准认证的附件 (原装) , 单位为 dB(A)	93
振动水平 ¹⁶⁷	
手柄振动水平, 根据 EN 62841-1 测量得出, 单位为 m/s ²	
配有经过批准认证的附件 (原装) , 左/右 m/s	1.6/1.1
风机性能 ¹⁶⁸	
标准喷嘴在正常模式下的气流量, m ³ /min	14
标准喷嘴在正常模式下的最大气流速度, m/s :	52

¹⁶⁵ 环境噪音排放以声功率 (L_{WA}) 量测, 符合 EC 指令 2000/14/EC 的要求。报告给出的机器声功率级是按照原装切割锯片的最高噪声级别测量得出的。保证声功率与测定声功率之间存在差异, 在于保证声功率按照 2000/14/EC 指导文件的要求还包含了测量结果中的离差以及相同型号不同机器之间的偏差。

¹⁶⁶ 本机的声压级报告数据中具有 3 dB (A) 的典型统计离差 (标准偏差) , 并且是按照原装切割锯片的最高噪声级别测量得出的。连同 325iLK 电机装置一起测量。

¹⁶⁷ 等效振动水平的报告数据中具有 2 m/s² 的典型统计离差 (标准偏差) 。要比较振动水平、电池和燃烧产物, 请使用振动计算器。请参阅 <https://www.husqvarna.com/uk/services-solutions/vibration-calculator/>。连同 325iLK 电机装置一起测量。

¹⁶⁸ 连同 325iLK 电机装置一起测量。

一致性声明

欧盟一致性声明

我们 **Husqvarna AB** (地址 : SE-561 82 Huskvarna , Sweden , 电话 : +46-36-146500) 谨此声明 , 本产品 :

描述	吹叶机附件
品牌	Husqvarna
类型/型号	BA101
标识	2022 及以后的序列号

完全符合以下欧盟指令和法规的要求 :

法规	描述
2006/42/EC	“关于机械”
2000/14/EC	“关于环境噪音排放”
2011/65/EU	“关于在电气和电子设备中限制使用某些有害物质”

并适用以下标准和/或技术规格 :

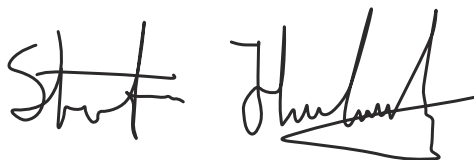
EN15503:2009+A2:2015, EN ISO 12100:2021, EN IEC 63000:2018。

RISE SMP Svensk Maskinprovning AB , Box 7035, SE-750 07 Uppsala, Sweden 已代表 Husqvarna AB 进行了自愿性型式检验。

证书编号 : SEC/15/2416 – Husqvarna BA101。

有关噪音排放的信息 , 请参阅 *技术参数* 在第 310 页上。

Huskvarna, 2022-05-09



Husqvarna AB 技术管理部门研发总监 Stefan Holmberg
技术文档负责人



欧盟一致性声明

我们 **Husqvarna AB** (地址 : SE-561 82 Huskvarna , Sweden , 电话 : +46-36-146500) 谨此声明 , 本产品 :

描述	带动力装置 Husqvarna 325iLK 的吹叶机附件
品牌	Husqvarna
类型/型号	BA101
标识	2022 及以后的序列号

完全符合以下欧盟指令和法规的要求 :

法规	描述
2006/42/EC	"关于机械"
2000/14/EC	"关于环境噪音排放"
2011/65/EU	"关于在电气和电子设备中限制使用某些有害物质"

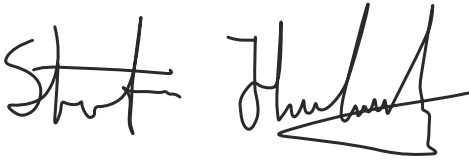
并适用以下标准和/或技术规格 : IEC 60335-2-100, EN IEC 63000:2018。

RISE SMP Svensk Maskinprovning AB, Box 7035, SE-750 07 Uppsala, Sweden 已代表 Husqvarna AB 进行了自愿性型式检验。证书编号 : SEC/15/2416 – Husqvarna BA101。

RISE SMP Svensk Maskinprovning AB, Box 7035, SE-750 07 Uppsala, Sweden 还证实了该产品符合欧洲理事会第 2000/14/EG 号指令附录 V 的要求。证书编号 : 01/012/014。

有关噪音排放的信息 , 请参阅 *技术参数* 在第 310 页上。

Huskvarna, 2022-05-09



Husqvarna AB 技术管理部门研发总监 Stefan Holmberg
技术文档负责人



Contents

Introduction.....	2	Maintenance.....	7
Safety.....	3	Transportation, storage and disposal.....	8
Operation.....	7	Technical data.....	8

Introduction

Product description

We have a policy of continuous product development and therefore reserve the right to modify the design and appearance of the products without prior notice.

Note: This manual cover both gasoline operated and battery operated power units.

Intended use

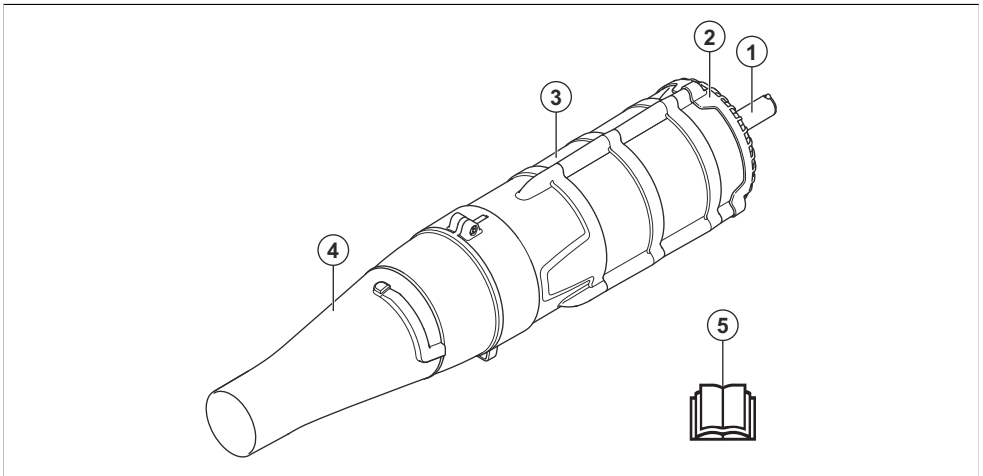


WARNING: This

attachment may only be used together with the intended power unit. See the accessory chapter in the Operator's manual for the power unit.

The attachment is only designed for blowing lawns, pathways, asphalt roads and the like.

Attachment overview



1. Shaft
2. Air intake screen
3. Fan housing
4. Air nozzle
5. Operator's manual

Symbols on the attachment and on the power unit



Careless or incorrect use of this attachment can result in serious or fatal injury to the operator or others.



Read the operator's manual carefully and make sure you understand the instructions before you use the attachment.



Use approved hearing, eye and breathing protection.



Use approved protective gloves.



The operator of the product must ensure, while working, that no persons or animals come closer than 15 meters.



The blower operator must ensure that no people or animals come closer than 15 meters. When several operators are working at the same site a safety distance of at least 15 meters must be in effect. The blower can forcibly throw objects that can bounce back. This can result in serious eye injuries if the recommended safety equipment is not used.



Severing of fingers or hand by fan blade. Do not open or remove the safety guards or nets while engine is running.

Note: Other symbols/decals on the attachment refer to special certification requirements for certain markets.



The blower can forcibly throw objects that can bounce back. This can result in serious eye injuries if the recommended safety equipment is not used.

Safety

Safety definitions

Warnings, cautions and notes are used to point out specially important parts of the manual.



WARNING: Used if there is a risk of injury or death for the operator or bystanders if the instructions in the manual are not obeyed.



CAUTION: Used if there is a risk of damage to the product, other materials or the adjacent area if the instructions in the manual are not obeyed.

Note: Used to give more information that is necessary in a given situation.

to follow the warnings and instructions may result in electric shock, fire and/or serious injury.

READ ALL INSTRUCTIONS BEFORE USING THE APPLIANCE

Please read the operator's manual carefully and make sure you understand the instructions before using the machine.



WARNING: To Reduce The Risk Of Electric Shock - Do Not Expose To Rain - Store Indoors.

IMPORTANT SAFETY INSTRUCTIONS



WARNING: Read all safety warnings and all instructions. Failure

- Do not allow to be used as a toy. Close attention is necessary when used by or near children.
- Use only as described in this manual. Use only manufacturer's recommended attachments.
- Do not use with damaged cord or plug. If appliance is not working as it should, has been dropped, damaged, left outdoors, or dropped into water, return it to a service center.
- Do not handle plug or appliance with wet hands.

- Do not put any object into openings. Do not use with any opening blocked; keep free of dust, lint, hair, and anything that may reduce air flow.
- Keep hair, loose clothing, fingers, and all parts of body away from openings and moving parts.
- Use extra care when cleaning on stairs.
- Do not use to pick up flammable or combustible liquids, such as gasoline, or use in areas where they may be present.

- The blower operator must ensure that no people or animals come closer than 15 meters. When several operators are working at the same site a safety distance of at least 15 meters must be in effect.
- Never allow children to use the product.
- Never allow anyone else to use the product without first ensuring that they have read and understood the contents of the operator's manual.
- Never remove the air intake screen.
- Never touch the spark plug or ignition cable while the engine is running. Touching the spark plug or plug may result in being subjected to an electrical shock.
- Always contact local authorities and make sure you are following applicable directives.
- Keep all parts of your body away from hot surfaces.

General safety instructions



WARNING: Read the safety instructions that follows before you use the attachment.

- Please read the operator's manual carefully and make sure you understand the instructions before using the attachment.
- This Operator's manual should be read together with the Operator's manual for the power unit to get the complete user information.
- Under no circumstances may the design of the attachment be modified without the permission of the manufacturer. Do not use an attachment that appears to have been modified by others and always use original accessories. Non-authorized modifications and/or accessories can result in serious personal injury or the death of the operator or others.

- If you encounter a situation where you are uncertain how to proceed you should ask an expert. Contact your dealer or your service workshop. Avoid all usage which you consider to be beyond your capability.
- Hold the opening of the blower as close to the ground as possible. Utilize the entire length of the blow pipe to keep the air stream close to the ground.
- Use the machine during normal working hours to avoid unnecessary disturbance. Avoid working early in the morning or late at night.
- Be aware of your surroundings. If anyone approaches your work area, release the throttle/power trigger until the person is at a safe distance. Direct the blower away from people, animals, play areas, open windows and cars etc. The force of air can cause rocks, dirt or sticks to be thrown or to ricochet which can injure people or animals, break glass or cause other damage.

Safety instructions for operation



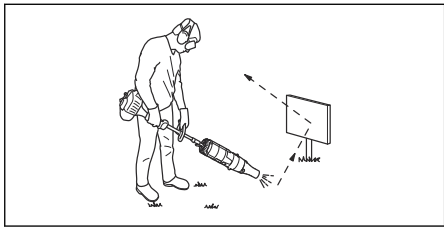
WARNING: Read the warning instructions that follow before you use the product.



WARNING: This product produces an electromagnetic field during operation. This field may under some circumstances interfere with active or passive medical implants. To reduce the risk of serious or fatal injury, we recommend persons with medical implants to consult their physician and the medical implant manufacturer before operating this product.

- Never use the product if you are tired, if you are ill, if you have consumed alcohol, or if you are taking other drugs or medication that can affect your vision, judgement or co-ordination.
- Never use a product that is faulty.
- All covers and guards must be fitted before starting. If you have a gasoline operated product, ensure that the spark plug cap and ignition lead are undamaged to avoid the risk of electric shock.

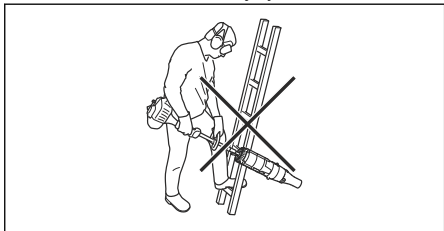
- Never put hands or other objects into blower housing to avoid serious injury from the rotating impeller.
- Keep outside surface free from oil and fuel.
- Never use for spreading chemicals, fertilizer or other substances which may contain toxic materials.
- To avoid spreading fire, do not use near leaf or brush fire, fireplaces, barbecue pits, ashtrays, etc.
- Never douse or squirt the attachment with water or any other liquid.
- Always use both hands to hold the machine. Hold the machine at the side of your body.
- If you have a gasoline operated product, allow the engine to cool before refueling.
- The powerful streams of air can move objects at such a speed that they can bounce back and cause serious eye injuries.



- Stop the engine/motor before assembling or dismantling accessories or other parts.
- Do not use the product in bad weather, such as dense fog, heavy rain, strong wind, intense cold, etc. Working in bad weather is tiring and can lead to dangerous conditions, e.g. slippery surfaces.
- Make sure you can move and stand safely. Check the area around you for possible obstacles (roots, rocks, branches, ditches, etc.) in case you have to move suddenly. Take great care when working on sloping ground.



- Never put the product down with the engine/motor running unless you have it in clear sight.
- If you have a gasoline operated product, the engine exhaust fumes contain carbon monoxide, which can cause carbon monoxide poisoning. For this reason you should not start or run the product indoors, or anywhere that is poorly ventilated.
- The blower must not be used while on a ladder or scaffolding, or in high places (such as roofs). This work could result in severe injury.



- Do not use the product unless you are able to call for help in the event of an accident.
- Never place any objects in air intake opening as this could restrict proper air flow and cause damage to the unit.
- Make sure that the product do not hit any fence, tree or other hard material. This could cause damage to the machine and lead to severe injury.

- Listen out for warning signals or shouts when you are wearing hearing protection. Always remove your hearing protection as soon as the engine/motor stops.

Other safety information

- Avoid Dangerous Environment – Don't use appliances in damp or wet locations.
- Don't Use In Rain.
- Keep Children Away – All visitors should be kept at a distance from work area.
- Dress Properly – Do not wear loose clothing or jewelry. They can be caught in moving parts. Use of rubber gloves and substantial footwear is recommended when working outdoors. Wear protective hair covering to contain long hair.
- Use Safety Glasses – Always use face or dust mask if operation is dusty.
- Use Right Appliance – Do not use appliance for any job except that for which it is intended.
- Avoid Unintentional Starting – Don't carry plugged-in appliance with finger on switch. Be sure switch is off when plugging in.
- Don't Force Appliance – It will do the job better and with less likelihood of a risk of injury at the rate for which it was designed.
- Don't Overreach – Keep proper footing and balance at all times.
- Stay Alert – Watch what you are doing. Use common sense. Do not operate appliance when you are tired.
- Store Idle Appliances Indoors – When not in use, appliances should be stored indoors in dry, and high or locked-up place – out of reach of children.
- Maintain Appliance With Care – Keep cutting edge sharp and clean for best performance and to reduce the risk of injury. Follow instructions for lubricating and changing accessories. Keep handles dry, clean, and free from oil and grease.
- Check Damaged Parts – Before further use of the appliance, a guard or other part that is damaged should be carefully checked to determine that it will operate properly and perform its intended function. Check for alignment of moving parts, binding of moving parts, breakage of parts, mounting, and any other condition that may affect its operation. A guard or other part that is damaged should be properly repaired or replaced by an authorized service center unless indicated elsewhere in this manual.

Personal protective equipment

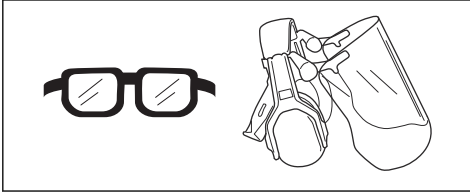


WARNING: Read the warning instructions that follow before you use the product.

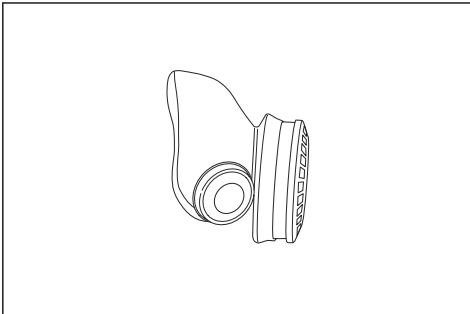
- Always use approved personal protective equipment when you use the product. Personal protective equipment cannot fully prevent injury but it

decreases the degree of injury if an accident does occur. Let your dealer help you select the right equipment.

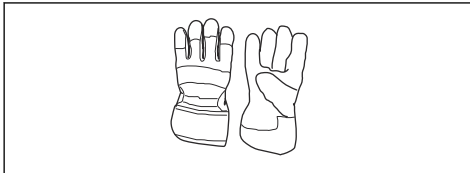
- Use approved hearing protection that provides adequate noise reduction. Long-term exposure to noise can result in permanent hearing impairment.
- Use approved eye protection. If you use a visor, you must also use approved protective goggles. Approved protective goggles must comply with the ANSI Z87.1 standard in the USAs or EN 166 in EU countries.



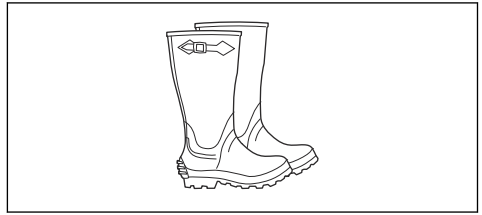
- Use breathing protection when there is a risk of dust.



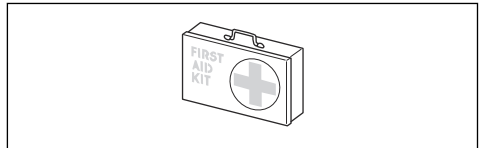
- Use gloves when necessary, for example when you attach, examine or clean the equipment.



- Use sturdy non-slip boots or shoes.



- Use clothing made of a strong fabric. Always use heavy, long pants and long sleeves. Do not use loose clothing that can catch on twigs and branches. Do not wear jewelry, short pants, sandals or go with bare feet. Put your hair up safely above shoulder level.
- Keep first aid equipment close at hand.



Safety instructions for maintenance



WARNING: Read the warning instructions that follow before you operate the product.

Carry out an overall inspection of the product before use. See the maintenance schedule.

Carry out the maintenance and service instructions described in this manual. Some maintenance and service measures must be carried out by trained and qualified specialists. See instructions under the Maintenance heading.

Always check for any objects that may block the air intake screen before beginning work.

In order to prevent damage due to falling of the product, assembly and dismantling should be conducted close to the ground surface.

SAVE THESE INSTRUCTIONS

Operation

To use the attachment

Note: Show consideration to persons in your surroundings by avoiding using the machine at unsuitable times, such as late in the evening or early in the morning. Reduce the noise levels by limiting the number of equipment units used simultaneously. Read through and follow the simple directions so that you disturb your surroundings as little as possible.

1. Use a rake or a brush to release rubbish stuck to the ground.
2. Clean corners by starting in corners and moving outward. This will help prevent an accumulation of debris which could fly into your face.
3. Use the blower with the lowest possible throttle/speed. It is seldom necessary to use full throttle/speed, and many work procedures can be done at half throttle/speed. A lower throttle/speed means less noise and less dust, and it is also easier to keep control over the rubbish collected together/moved.
4. Minimise the blowing time by lightly wetting dusty areas or using spray equipment.
5. Reduce water consumption by using blowers instead of water hoses for different applications around the lawn and garden, such as lattices, screens, grills, porches, etc.
6. Be careful when working near plants. The force of the air could damage tender plants.
7. The speed of the air jet is regulated by means of the throttle/power trigger. Select the speed best suited for respective tasks.
8. Be aware of the wind direction. Work with the wind to make your work easier.
9. Using the blower to move large piles is time consuming and creates unnecessary noise.
10. Keep a good balance and a firm foothold.
11. Keep clearance between the tube and ground to avoid contact with the ground when working with the product.
12. Clean up afterwards. Make sure that you have not blown rubbish into someone's garden. Dispose of debris in trash receptacle.
13. When work is finished the product should be stored horizontally.

Maintenance

Introduction

Below you will find some general maintenance instructions. If you need further information please contact your service workshop.

To perform daily maintenance on the attachment



WARNING: Always stop the engine/motor before you clean or do maintenance on the attachment. If you have a gasoline operated product, disconnect the ignition cable from the spark plug. If you have a battery operated product, remove the battery.



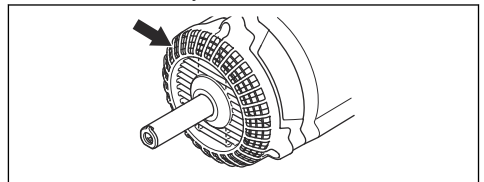
WARNING: Keep all parts of your body away from hot surfaces.

1. Clean the exterior surface of the blower.

2. Make sure that all the housing are free of cracks.
3. Make sure that the product is in perfect working order.
4. Make sure that all nuts and screws are tight.
5. Clean the labels using a damp cloth with a mild detergent.

To check the air intake screen

1. Check that the air intake is not blocked on all sides including the underside, for example, by leaves or rubbish. A clogged air intake reduces the product's blowing capacity and increases the working temperature of the engine/motor, which can result in engine/motor failure. Stop the engine/motor and remove the object.



Transportation, storage and disposal

Transport and storage

Perform the following steps after each use:

- Allow attachment to cool before storing or transporting.
- Store in a high, cool, dry, indoor area out of reach for children.

- Clean the unit.
- Inspect attachment for any loose or damage parts. Tighten any loose screws.
- Replace any damaged, worn or broken parts.
- At the beginning of the next season, use only fresh fuel having the proper petrol to oil ratio.

Seasonal storage

Prepare attachment for storage at end of season or if it will not be used for 30 days or more. If your blower attachment is to be stored for a period of time:

Technical data

Technical data for gasoline operated products

BA101	
Weight	
Weight, lb/kg	4.2/1.9
Sound levels ¹	
Equivalent sound pressure level at the operator's ear, measured according to EN15503 dB(A)	99
Vibration levels ²	
Equivalent vibration levels ($a_{hv,eq}$) at handles, measured according to EN 15503, m/s ²	
Front/rear handles:	5.6/8.3
Fan performance ³	
Max. air velocity with standard nozzle, mph / m/s:	148/66
Air flow with standard nozzle, cfm / m ³ /min	529/15

Technical data for battery operated products

325iLK + Blower attachment BA101
Weight

¹ The equivalent sound pressure level value is calculated with a work cycle of a duration of 1/7 for idling and 6/7 for racing. Reported data for equivalent sound pressure level for the machine has a typical statistical dispersion (standard deviation) of 1 dB(A).

² The equivalent vibration level value is calculated with a work cycle of a duration of 1/7 for idling and 6/7 for racing. Reported data for equivalent vibration level has a typical statistical dispersion (standard deviation) of 1 m/s².

³ Measured together with 525LK/GC2225C engine unit.

325iLK + Blower attachment BA101	
Weight, lb/kg	5.1/2.3+4.2/1.9
Sound levels	
Sound pressure level at the operator's ear, measured according to ISO 26868 dB(A) ⁴	
Equipped with approved accessory (original), dB (A)	93
Vibration levels ⁵	
Vibration levels at handles, measured according to EN 62841-1, m/s ²	
Equipped with approved accessory (original), left/right m/s	1.6/1.1
Fan performance ⁶	
Maximum air velocity in normal mode with standard nozzle, mph / m/s:	117/52
Air flow in normal mode with standard nozzle, cfm / m ³ /min	495/14

⁴ Reported data for sound pressure level for the machine has a typical statistical dispersion (standard deviation) of 3 dB (A) and has been measured with the original attachment that gives the highest level. Measured together with the 325iLK motor unit.

⁵ Reported data for vibration level has a typical statistical dispersion (standard deviation) of 2 m/s². For comparison of vibrations levels, battery and combustion products use vibration calculator. refer to, <https://www.husqvarna.com/uk/services-solutions/vibration-calculator/>. Measured together with the 325iLK motor unit.

⁶ Measured together with 325iLK power unit.

Table des matières

Introduction.....	10	Entretien.....	16
Sécurité.....	11	Transport, entreposage et mise au rebut.....	16
Fonctionnement.....	15	Caractéristiques techniques.....	16

Introduction

Description du produit

Nous avons une politique de développement continu et nous réservons donc le droit de modifier la conception et l'apparence des produits sans préavis.

Remarque : Ce manuel traite des unités motrices à essence et des unités électriques alimentées par batterie.

accessoire ne peut être utilisé qu'avec l'unité d'alimentation prévue. Reportez-vous au chapitre relatif aux accessoires du manuel de l'opérateur de l'unité d'alimentation.

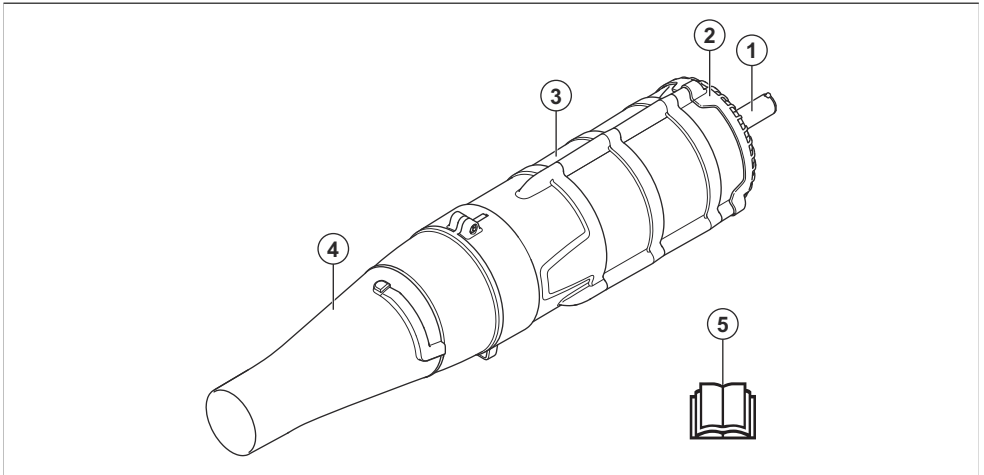
L'outil est conçu pour souffler les pelouses, les sentiers, les routes bitumées et d'autres surfaces du même genre.

Utilisation prévue



AVERTISSEMENT : Cet

Aperçu de l'outil



1. Arbre
2. Grille de prise d'air
3. Boîtier du ventilateur
4. Buse d'air
5. Manuel de l'opérateur

Symboles sur l'équipement et sur l'unité motrice



Si l'outil est utilisé de manière insouciante ou non appropriée, cela pourrait causer des blessures graves voire mortelles pour l'utilisateur ou pour d'autres personnes.



Lire attentivement le manuel d'utilisation et veiller à bien comprendre les directives avant d'utiliser l'accessoire.



Portez des protections auditives, oculaires et respiratoires homologuées.



Utiliser des gants de protection homologués.



L'utilisateur doit s'assurer qu'aucune personne ou aucun animal ne s'approche à moins de 15 mètres. Lorsque plusieurs utilisateurs travaillent sur le même lieu de travail, il faut garder une distance de sécurité d'au moins 15 mètres. Le souffleur peut projeter violemment des objets qui peuvent rebondir. Cela peut provoquer des lésions oculaires graves si l'équipement de sécurité recommandé n'est pas utilisé.



Le souffleur peut projeter violemment des objets qui peuvent rebondir. Cela peut provoquer des lésions oculaires graves si l'équipement de sécurité recommandé n'est pas utilisé.



L'utilisateur de l'outil doit s'assurer, pendant le fonctionnement, qu'il n'y a pas de personnes ou d'animaux à moins de 15 mètres.



Risque de perte des doigts ou de la main dans l'aube de la soufflante. N'ouvrez ni ne retirez les dispositifs de protection ou les filets alors que le moteur tourne.

Remarque : Les autres symboles et autocollants apposés sur l'outil se rapportent aux exigences en matière de certification pour certains marchés.

Sécurité

Définitions relatives à la sécurité

Les avertissements, recommandations et remarques soulignent des points du manuel qui revêtent une importance particulière.



AVERTISSEMENT :

Indique la présence d'un risque de blessure ou de décès de l'utilisateur ou de personnes à proximité si les instructions du manuel ne sont pas suivies.



MISE EN GARDE :

Indique la présence d'un risque de dommages au produit, à d'autres appareils ou à la zone adjacente si les instructions du manuel ne sont pas suivies.

Remarque : Utilisé pour donner des renseignements plus détaillés qui sont nécessaires dans une situation donnée.

IMPORTANTES CONSIGNES DE SÉCURITÉ



AVERTISSEMENT :

Lire toutes les instructions et consignes de sécurité. Le non-respect de ces instructions et consignes peut provoquer une électrocution, un incendie et des blessures graves.

LIRE TOUTES LES INSTRUCTIONS

AVANT D'UTILISER L'APPAREIL

Lire attentivement le manuel d'utilisation et veiller à bien comprendre les directives avant d'utiliser l'outil.



AVERTISSEMENT :

Afin de réduire le risque d'électrocution, ne pas exposer l'outil à la pluie – le ranger à l'intérieur.

- Cet outil ne doit pas être considéré comme un jouet. Porter une attention particulière lors de travaux effectués à proximité d'enfants.
- Utiliser uniquement de la manière décrite dans le présent manuel. Utiliser uniquement les accessoires recommandés par le fabricant.
- Ne pas utiliser si le fil ou la fiche sont endommagés.
 - Si l'appareil ne fonctionne pas comme il le devrait, s'il est tombé, s'il a été endommagé, s'il a été laissé dehors ou s'il est tombé dans l'eau, le rapporter au centre d'entretien.
- Ne pas manipuler la prise ou l'appareil avec les mains humides.
- N'insérer aucun objet dans les ouvertures. Ne pas utiliser si une ouverture est bloquée. Nettoyer les ouvertures pour éliminer la poussière, les mousses, les poils ou tout ce qui pourrait obstruer le passage de l'air.
- Tenir les cheveux, les vêtements amples, les doigts et toute autre partie du corps éloignés des ouvertures et des pièces en mouvement.
- Porter une attention particulière lors du nettoyage dans les escaliers.
- Ne pas utiliser pour ramasser un liquide combustible ou inflammable ou à proximité d'un tel liquide.

Consignes générales de sécurité



AVERTISSEMENT :

Lire les consignes de sécurité qui suivent avant d'utiliser l'outil.

- Lire attentivement le manuel de l'opérateur et s'assurer de bien comprendre les instructions avant d'utiliser l'outil.
- Ce manuel de l'opérateur doit être lu avec le manuel de l'opérateur de l'unité d'alimentation pour obtenir les renseignements d'utilisation complets.
- La conception de l'outil ne peut en aucun cas être modifiée sans l'autorisation du fabricant. Ne pas utiliser un outil qui semble avoir été modifié par d'autres, et toujours utiliser des accessoires

d'origine. Les modifications et les accessoires non autorisés peuvent engendrer des blessures graves ou la mort de l'utilisateur ou d'autres personnes.

Consignes de sécurité pour l'utilisation



AVERTISSEMENT :

Lire les messages d'avertissement qui suivent avant d'utiliser l'appareil.



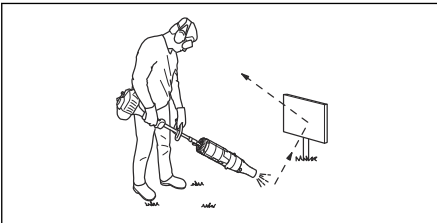
AVERTISSEMENT :

Ce produit produit un champ électromagnétique pendant le fonctionnement. Ce champ magnétique peut, dans certains cas, nuire aux implants médicaux actifs ou passifs. Pour réduire le risque de blessures graves ou mortelles, nous recommandons aux personnes ayant des implants médicaux de consulter leur médecin et le fabricant de l'implant médical avant d'utiliser le produit.

- Ne jamais utiliser l'outil en cas de fatigue, de maladie, d'absorption d'alcool ou d'autres drogues, ni en cas de prise de médicaments pouvant nuire à l'acuité visuelle, au jugement et à la coordination.
- Ne jamais utiliser un produit défectueux.
- Tous les couvercles et toutes les protections doivent être montés avant le démarrage. Si le produit fonctionne à l'essence, s'assurer que le capuchon de la bougie d'allumage et le fil d'allumage ne sont pas endommagés, afin d'éviter le risque de décharge électrique.
- L'utilisateur doit s'assurer qu'aucune personne ou aucun animal ne s'approche à moins de 15 mètres. Lorsque plusieurs utilisateurs travaillent sur le même lieu de travail, il faut garder une distance de sécurité d'au moins 15 mètres.
- Ne laissez jamais un enfant utiliser le produit.
- Ne laissez jamais des gens utiliser le produit sans d'abord s'assurer qu'ils ont lu et compris le contenu du manuel de l'opérateur.
- Ne retirez jamais la grille de prise d'air.
- Ne jamais toucher à la bougie ou au câble d'allumage lorsque le moteur tourne. Si vous touchez à la bougie d'allumage ou à la prise vous pourriez subir un choc électrique.
- Consultez toujours les autorités locales pour vous assurer de respecter les règlements en vigueur.
- Tenez toute partie du corps à l'écart des surfaces chaudes.
- Il est recommandé de consulter un expert en cas de doute. Communiquer avec votre concessionnaire ou

votre atelier d'entretien. Éviter toutes les utilisations qui vous semblent difficiles.

- Garder l'ouverture du souffleur aussi près du sol que possible. Utiliser toute la longueur du tube de soufflage afin de garder le courant d'air proche du sol.
- Utiliser la machine pendant les heures de travail habituelles afin d'éviter les perturbations inutiles. Éviter de travailler tôt le matin ou tard le soir.
- Être conscient du voisinage. Si une personne s'approche de la zone de travail, relâcher l'accélérateur ou la gâchette de puissance jusqu'à ce que cette personne se trouve à une distance sécuritaire. Éloigner l'aspiro-souffleur des personnes, des animaux, des aires de jeux, des fenêtres ouvertes, des voitures, etc. La force de l'air peut projeter ou faire ricocher des pierres, des débris ou autres, ce qui peut blesser des personnes ou des animaux, casser des vitres ou causer d'autres dommages.
- Ne placez jamais les mains ou d'autres objets dans le carter de l'aspiro-souffleur, afin d'éviter le risque de blessures très graves résultant de la rotation de la roue à ailettes.
- Gardez la surface extérieure exempte d'huile et de carburant.
- N'utilisez jamais l'équipement pour l'épandage de produits chimiques, d'engrais ou d'autres substances qui peuvent contenir des matières toxiques.
- Pour éviter de propager les flammes, ne pas utiliser l'appareil près des feux de feuilles ou de broussailles, de foyers, de barbecues, de cendriers, etc.
- Ne jamais tremper l'outil dans l'eau ou tout autre liquide ou l'en asperger.
- Tenez toujours la machine à deux mains. Tenez la machine sur le côté du corps.
- Si le produit fonctionne à l'essence, laisser le moteur refroidir avant de faire le plein.
- Les puissants jets d'air peuvent déplacer des objets à une vitesse telle qu'ils peuvent ricocher et causer de graves blessures aux yeux.

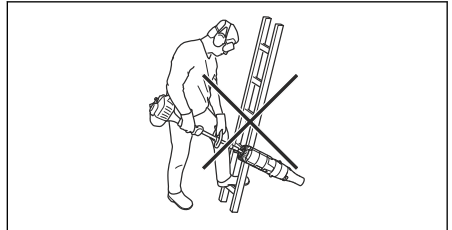


- Arrêter le moteur avant de monter ou démonter des accessoires ou d'autres pièces.
- Ne pas utiliser ce produit par mauvais temps, par exemple, en cas de brouillard épais, de forte pluie, de vent violent, de grand froid, etc. Travailler par mauvais temps est éprouvant et ajoute des risques, par exemple, un sol glissant.

- Assurez-vous qu'il est possible de vous déplacer et de vous tenir debout en toute sécurité. Repérer les éventuels obstacles (racines, roches, branches, fossés, etc.) en cas de déplacement imprévu. Faire très attention pendant le travail sur une pente.



- Ne jamais déposer le produit quand le moteur tourne à moins de l'avoir sous les yeux.
- Si le produit fonctionne à l'essence, les gaz d'échappement du moteur contiennent du monoxyde de carbone, ce qui peut provoquer un empoisonnement au monoxyde de carbone. C'est la raison pour laquelle il ne faut pas démarrer ou utiliser le produit à l'intérieur ou dans un lieu mal aéré.
- L'aspiro-souffleur ne doit pas être utilisé sur une échelle ou un échafaudage, ou sur tout autre endroit en hauteur (par exemple un toit). Une telle utilisation pourrait provoquer des blessures graves.



- Ne pas utiliser le produit s'il est impossible d'appeler de l'aide en cas d'accident.
- Ne placez jamais des objets dans l'ouverture de prise d'air, car cela pourrait restreindre la circulation de l'air et causer des dégâts à l'appareil.
- S'assurer que le produit n'entre pas en contact avec une clôture, un arbre ou tout autre objet solide. Le non-respect de cette consigne pourrait entraîner des dommages à la machine et causer de graves blessures.
- Rester attentif aux appels ou cris d'avertissement en cas de port de protecteurs d'oreilles. Enlevez toujours les protecteurs d'oreilles dès que le moteur s'arrête.

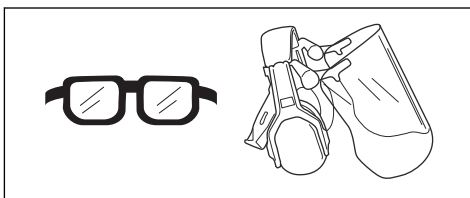
Autres renseignements relatifs à la sécurité

- Éviter les environnements dangereux – ne pas utiliser d'appareils dans des endroits humides ou mouillés.
- Ne pas utiliser sous la pluie.

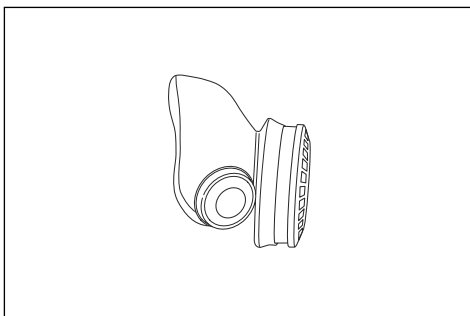
- Tenir à l'écart des enfants : tous les visiteurs doivent être tenus à bonne distance de la zone de travail.
- S'habiller convenablement – ne jamais porter de vêtements amples ou de bijoux. Ils peuvent se coincer dans les pièces mobiles. Il est recommandé de porter des gants en caoutchouc et des chaussures robustes pour travailler à l'extérieur. Le cas échéant, portez un couvre-chef pour couvrir les cheveux longs.
- Porter des lunettes de sécurité – toujours porter un masque à poussière en cas d'utilisation de l'appareil en milieu poussiéreux.
- Utiliser le bon appareil – ne pas utiliser un appareil pour une autre tâche que celle à laquelle il est destiné.
- Prévenir les démarrages accidentels – ne pas laisser le doigt sur la gâchette d'un appareil branché lors de son transport. S'assurer que l'interrupteur est en position d'arrêt lors du branchement.
- Ne pas forcer l'appareil – il offre de meilleurs résultats et le travail est effectué de façon plus sécuritaire s'il tourne au régime pour lequel il a été conçu.
- Ne pas se pencher trop en avant – garder l'équilibre et un bon appui au sol en tout temps.
- Rester vigilant – être conscient de ce que l'on fait. Faire preuve de bon sens Ne pas faire fonctionner l'appareil lorsqu'on est fatigué.
- Ranger les appareils inutilisés à l'intérieur – lorsqu'ils ne sont pas utilisés, les appareils doivent être rangés à l'intérieur, dans un endroit sec et en hauteur ou verrouillé, hors de portée des enfants.
- Entretenir l'appareil avec soin – garder l'arête de coupe bien affûtée et propre pour obtenir des performances optimales et réduire les risques de blessures. Respecter les instructions concernant la lubrification et le changement des accessoires. Garder les poignées sèches, propres et exemptes d'huile et de graisse.
- Vérifier les pièces endommagées – avant toute utilisation de l'appareil, il convient de vérifier soigneusement qu'une protection ou toute autre pièce endommagée fonctionne correctement et remplit sa fonction prévue. Vérifier l'alignement des pièces mobiles, le grippage des pièces mobiles, la rupture de pièces, le montage et tout autre état susceptible de nuire à son fonctionnement. Une protection ou toute autre pièce endommagée doit être réparée ou remplacée adéquatement par un centre d'entretien autorisé, sauf indication contraire dans ce manuel.

les messages d'avertissement qui suivent avant d'utiliser l'appareil.

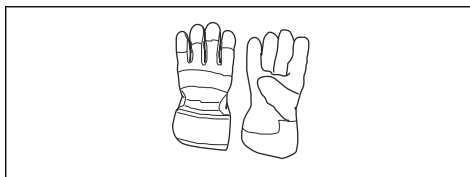
- Toujours utiliser un équipement de protection personnelle homologué lors de l'utilisation de l'appareil. Cet équipement de protection personnelle n'élimine pas complètement les risques de blessures, mais il peut en réduire la gravité en cas d'accident. Laisser le concessionnaire vous aider à sélectionner l'équipement adéquat.
- Porter des protecteurs d'oreille homologués qui assurent une réduction adéquate du bruit. L'exposition prolongée au bruit peut causer des lésions auditives permanentes.
- Utiliser un dispositif de protection homologué pour les yeux. Porter également des lunettes de protection homologuées en cas d'utilisation d'une visière. Les lunettes de protection homologuées doivent être conformes à la norme ANSI Z87.1 aux États-Unis ou à la norme EN 166 dans les pays de l'Union européenne.



- Utiliser une protection respiratoire lorsqu'il y a un risque de poussière.



- Utiliser des gants au besoin, par exemple lors de la fixation, de l'examen ou du nettoyage de l'équipement.



Équipement de protection personnelle



AVERTISSEMENT : Lire

- Porter des bottes ou chaussures antidérapantes robustes.



- Utiliser des vêtements faits de tissus résistants. Toujours utiliser des pantalons longs et lourds et des manches longues. Ne pas porter des vêtements amples qui peuvent se prendre dans les broussailles et les branches. Ne pas porter des bijoux, des pantalons courts, des sandales et ne pas marcher pieds nus. Garder les cheveux au-dessus des épaules.
- Garder une trousse de premiers soins à portée de main.



Consignes de sécurité pour l'entretien



AVERTISSEMENT :

Lire

les messages d'avertissement qui suivent avant d'utiliser l'outil.

Effectuer une inspection générale de l'appareil avant de l'utiliser. Consulter le calendrier d'entretien.

Effectuer l'entretien et les réparations conformément aux instructions fournies dans ce manuel. Certaines réparations et tâches d'entretien doivent être effectuées par des spécialistes formés et qualifiés. Voir les instructions à la section Entretien.

Toujours vérifier qu'aucun objet n'obstrue la grille de prise d'air avant de commencer les travaux.

Afin d'éviter tout dommage causé par une chute de la machine, celle-ci doit être montée ou démontée à un niveau près de la surface du sol.

CONSERVER CES INSTRUCTIONS

Fonctionnement

Utilisation de l'outil

Remarque : Respecter les personnes qui se trouvent dans l'entourage en évitant d'utiliser la machine à des heures indues, par exemple tard le soir ou tôt le matin. Réduire les niveaux de bruit en limitant le nombre d'appareils utilisés simultanément. Lire attentivement et suivre les conseils simples présentés ci-dessous afin de déranger les voisins le moins possible.

1. Utiliser un râteau ou un balai pour dégager les débris coincés dans le sol.
2. Nettoyer les coins, en partant des coins vers l'extérieur. Ceci permettra d'éviter l'accumulation de débris qui pourraient être projetés dans le visage.
3. Utilisez l'aspiro-souffleur au plus bas régime ou à la plus basse vitesse possible. Il est rarement nécessaire d'utiliser l'outil à plein régime ou à pleine vitesse, et plusieurs procédures de travail peuvent se faire à demi-régime ou demi-vitesse. Un plus petit régime ou une vitesse moins grande signifie moins de bruit et de poussière, et il est également plus facile de garder le contrôle sur les débris que vous entassez ou déplacez.
4. Réduire la durée de soufflage en humidifiant légèrement les zones poussiéreuses ou en utilisant un pulvérisateur.
5. Réduire la consommation d'eau en utilisant un aspiro-souffleur plutôt que des boyaux à eau pour différentes tâches sur la pelouse et dans le jardin, telles que les treillis, les filtres, les grilles, les vérandas, etc.
6. Faites preuve de prudence lorsque vous travaillez près de plantes. La force de l'air pourrait endommager les jeunes plantes.
7. La vitesse du jet d'air se règle à l'aide de la commande d'accélération ou gâchette de puissance. Sélectionner la vitesse la mieux adaptée à la tâche en cours.
8. Tenir compte de la direction du vent. Le travail est plus facile s'il est effectué dans la direction du vent.
9. L'utilisation du souffleur pour déplacer des monticules importants prend beaucoup de temps et génère un bruit inutile.
10. Se tenir bien campé et en parfait équilibre.
11. S'assurer de maintenir une distance suffisante entre le tube et la surface du sol pour éviter tout contact avec celui-ci lorsque le produit fonctionne.
12. Nettoyer une fois le travail terminé. S'assurer que des débris n'ont pas été accidentellement projetés dans le jardin d'un voisin. Jeter les débris dans une poubelle.

13. Une fois le travail terminé, le produit doit être rangé en position horizontale.

Entretien

Introduction

Vous trouverez ci-dessous quelques instructions d'entretien général. Pour obtenir des renseignements supplémentaires, communiquez avec votre atelier d'entretien.

Entretien quotidien de l'outil



AVERTISSEMENT :

Arrêtez toujours le moteur avant d'effectuer tout nettoyage ou entretien de l'équipement. Si le produit fonctionne à l'essence, débranchez le câble d'allumage de la bougie. Si le produit fonctionne à batterie, retirez la batterie.



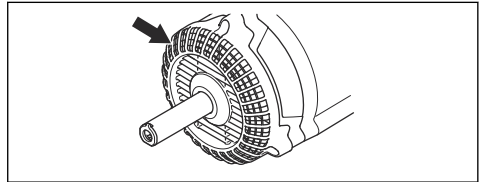
AVERTISSEMENT :

Tenez toute partie du corps à l'écart des surfaces chaudes.

1. Nettoyez la surface extérieure de l'aspiro-souffleur.
2. Assurez-vous que tous les carters sont exempts de fissures.
3. Vérifiez que le produit est en parfait état d'utilisation.
4. Assurez-vous que l'ensemble des vis et des écrous sont bien serrés.
5. Nettoyez les étiquettes au moyen d'un chiffon humide et d'un détergent doux.

Vérification de la grille de prise d'air

1. Vérifiez que la prise d'air n'est pas obstruée (par des feuilles ou des déchets p. ex.) sur tous les côtés de la machine. Si la prise d'air est obstruée, la capacité de soufflage du produit diminue et la température de fonctionnement du moteur augmente, ce qui peut entraîner la défaillance du moteur. Arrêtez le moteur et dégagez l'obstruction.



Transport, entreposage et mise au rebut

Transport et entreposage

Effectuer les étapes suivantes après chaque utilisation :

- Laissez refroidir le moteur avant de ranger l'appareil.
- Entrez l'équipement dans un endroit intérieur frais et sec, hors de portée des enfants.

Remisage saisonnier

Préparez l'appareil pour le remisage en fin de saison ou s'il ne sera pas utilisé pendant plus d'un mois. Si vous allez entreposer l'accessoire de soufflante pendant une longue période :

- Nettoyer l'appareil.
- Inspectez l'accessoire pour détecter les pièces desserrées ou endommagées. Serrez toutes les vis desserrées.
- Remplacer toute pièce endommagée, usée ou brisée.
- Au début de la saison suivante, n'utiliser que du carburant neuf affichant le rapport approprié d'essence et d'huile.

Caractéristiques techniques

Données techniques des produits à essence

BA101	
Poids	
Poids, lb/kg	4,2/1,9

BA101	
Niveaux sonores ⁷	
Niveau de pression sonore équivalent à l'oreille de l'utilisateur mesuré selon la norme EN15503, dB(A)	99
Niveaux de vibrations ⁸	
Niveaux de vibrations équivalents ($a_{hv,eq}$) au niveau des poignées, mesurés selon la norme EN 15503, en m/s^2	
Poignées avant et arrière :	5,6/8,3
Rendement du ventilateur ⁹	
Vitesse maximale de l'air avec buse standard, m/h / m/s :	148/66
Débit d'air avec buse standard, pi^3/min / m^3/min	529/15

Données techniques des produits à batterie

325iLK + Blower attachment BA101	
Poids	
Poids, lb/kg	5,1/2,3, +4,2/1,9
Niveaux sonores	
Niveau de pression sonore à l'oreille de l'utilisateur mesuré selon la norme ISO 26868, dB (A) ¹⁰	
Doté des accessoires homologués (d'origine), dB(A)	93
Niveaux de vibrations ¹¹	
Niveau de vibration à la poignée mesuré selon la norme EN 62841-1, m/s^2	
Doté des accessoires approuvés (d'origine), gauche/droite m/s	1,6/1,1
Rendement du ventilateur ¹²	
Vitesse maximale de l'air en mode normal pour la buse standard, m/h / m/s :	117/52
Débit d'air en mode normal avec buse standard, pcm / m^3/min	495/14

⁷ Le niveau de pression sonore équivalent est calculé lors d'un cycle de travail d'une durée de 1/7 au ralenti et de 6/7 à plein régime. Les données se rapportant à la pression sonore équivalente de la machine présentent une dispersion statistique type (écart standard) de 1 dB (A).

⁸ Le niveau de vibration équivalent est calculé lors d'un cycle de travail d'une durée de 1/7 au ralenti et de 6/7 à plein régime. Les données signalées pour le niveau de vibration équivalent présentent une dispersion statistique type (écart standard) de 1 m/s^2 .

⁹ Mesuré avec le moteur 525iLK/GC2225C.

¹⁰ Les données déclarées pour le niveau de pression sonore de la machine ont une dispersion statistique typique (écart-type) de 3 dB (A) et ont été mesurées avec l'accessoire d'origine qui génère le niveau le plus élevé. Mesuré avec le moteur 325iLK.

¹¹ Les données signalées pour le niveau de vibration présentent une dispersion statistique type (écart standard) de 2 m/s^2 . Pour comparer les niveaux de vibrations, la batterie et les produits à combustion, utiliser le calculateur de vibrations, consultez le site <https://www.husqvarna.com/uk/services-solutions/vibration-calculator/>. Mesuré avec le moteur 325iLK.

¹² Mesuré avec l'unité électrique 325iLK.

Contenido

Introducción.....	18	Mantenimiento.....	23
Seguridad.....	19	Transporte, almacenamiento y eliminación de residuos.....	24
Funcionamiento.....	23	Datos técnicos.....	24

Introducción

Descripción de la máquina

Husqvarna AB tiene una política de desarrollo continuo de productos y, por lo tanto, se reserva el derecho de modificar el diseño y el aspecto de los productos sin previo aviso.

Nota: Este manual aborda las unidades de alimentación que funcionan tanto con gasolina como con baterías.

Uso previsto

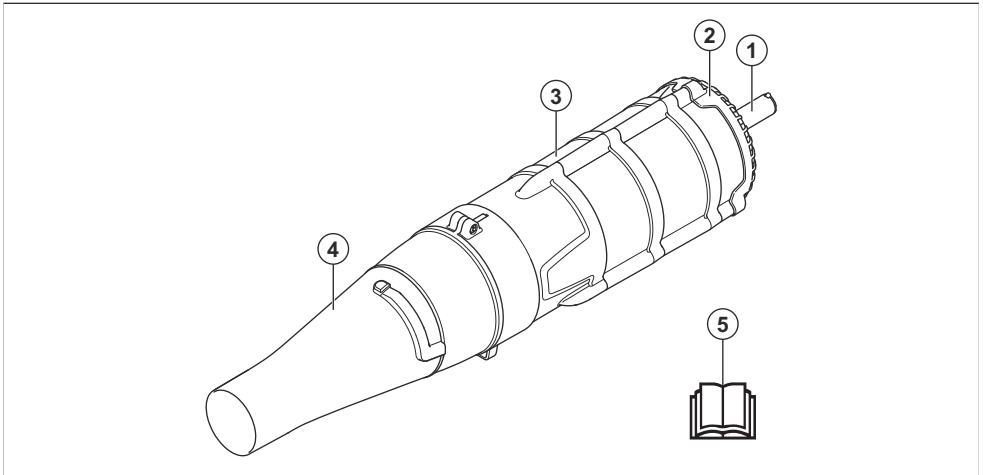


ADVERTENCIA:

Este accesorio solo se puede utilizar junto con la unidad de alimentación prevista. Consulte el capítulo sobre accesorios del manual de usuario de la unidad de alimentación.

El accesorio está diseñado solamente para soplar césped, senderos, caminos de asfalto y similares.

Vista general del accesorio



1. Eje
2. Rejilla de aspiración de aire
3. Carcasa de ventilador
4. Boquilla de aire
5. Manual de usuario

Símbolos que aparecen en el accesorio y en la unidad de alimentación



El uso incorrecto o descuidado de este accesorio puede ocasionar lesiones graves o mortales al operador u otras personas.



Lea el manual de instrucciones atentamente y asegúrese de entender las instrucciones antes de utilizar el accesorio.



Utilice protección auditiva, ocular y respiratoria aprobada.



Use guantes protectores homologados.



El operador de la sopladora se debe asegurar de que ninguna persona o animal se acerque a menos de 15 metros. Cuando varios operadores trabajan en el mismo lugar, se debe establecer una distancia de seguridad de, al menos, 15 metros. La sopladora puede echar a volar objetos violentamente que pueden rebotar. Lo anterior puede provocar heridas graves en los ojos si no se utiliza el equipo de seguridad recomendado.



La sopladora puede echar a volar objetos violentamente que pueden rebotar. Lo anterior puede provocar heridas graves en los ojos si no se utiliza el equipo de seguridad recomendado.



Mientras trabaja, el operador del producto se debe asegurar de que ninguna persona o animal se acerque a menos de 15 metros.



Peligro de corte de dedos o manos por las aspas del ventilador. No abra ni retire los protectores de seguridad o las mallas mientras el motor está en funcionamiento.

Nota: Otros símbolos o etiquetas en el equipo hacen referencia a requisitos de certificación especiales para ciertos mercados.

Seguridad

Definiciones de seguridad

Las advertencias, precauciones y notas se utilizan para señalar las piezas particularmente importantes del manual.



ADVERTENCIA:

Se utilizan para señalar el riesgo de lesiones graves o mortales para el operador o para aquellos que se encuentren cerca si no se siguen las instrucciones del manual.



PRECAUCIÓN:

Se utilizan para señalar el riesgo de dañar la máquina, otros materiales o el área adyacente si no se siguen las instrucciones del manual.

Nota: Se utilizan para entregar más información necesaria en situaciones particulares.

INSTRUCCIONES DE SEGURIDAD IMPORTANTES



ADVERTENCIA:

Lea todas las advertencias de seguridad y todas las instrucciones. En caso de no seguir las advertencias ni las instrucciones se pueden producir sacudidas eléctricas, incendios o daños graves.

LEA TODAS LAS INSTRUCCIONES ANTES DE

UTILIZAR EL APARATO

Lea atentamente el manual de instrucciones y asegúrese de que las entiende antes de utilizar la máquina.



ADVERTENCIA:

Para reducir el riesgo de descarga eléctrica: no exponga el producto a la lluvia. Almacene en interiores.

- No permita que se use como un juguete. Se necesita prestar atención cuando lo utiliza un niño o se utiliza cerca de uno.
- Utilice solo como se describe en este manual. Utilice solo accesorios recomendados del fabricante.
- No utilizar con el cable o el enchufe dañado. Si el aparato no funciona como debiese, se cayó, está dañado, se dejó al aire libre o si se cayó al agua, llévelo a un centro de servicio.
- No manipule el aparato o el enchufe con las manos mojadas.
- No ponga ningún objeto en las aberturas. No utilice si tiene alguna abertura bloqueada; manténgalo libre de polvo, pelusas, pelo y de todo aquello que pueda reducir el flujo de aire.
- Mantenga el cabello, la ropa suelta, los dedos y toda parte del cuerpo lejos de las aberturas y piezas móviles.
- Tenga especial cuidado al limpiar en escaleras.
- No lo utilice para recoger líquidos inflamables o combustibles, como gasolina, ni lo utilice en zonas donde puedan encontrar estos líquidos.

Instrucciones generales de seguridad



ADVERTENCIA:

Lea las siguientes instrucciones de seguridad antes de usar el accesorio.

- Lea cuidadosamente el manual de usuario y asegúrese de que entiende las instrucciones antes de utilizar el accesorio.
- Este manual de usuario debe leerse junto con el manual de usuario de la unidad de alimentación para obtener toda la información del usuario.
- Bajo ninguna circunstancia podrá modificar el diseño del accesorio sin el permiso del fabricante. No utilice un accesorio que parezca haber sido modificado por otras personas y utilice siempre los accesorios originales. Las modificaciones o accesorios no autorizados pueden provocar daños personales o la muerte del operador u otras personas.

Instrucciones de seguridad para el funcionamiento



ADVERTENCIA:

Lea atentamente las instrucciones de advertencia siguientes antes de usar el producto.



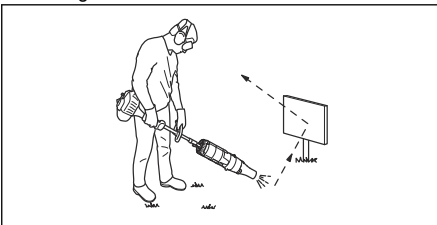
ADVERTENCIA:

En este producto se genera un campo electromagnético durante su funcionamiento. Este campo puede, en determinadas circunstancias, interferir con implantes médicos activos o pasivos. Para reducir el riesgo de lesiones graves o fatales, recomendamos a las personas con implantes médicos consultar a su médico y al fabricante del implante médico antes de usar esta máquina.

- No utilice el producto si está cansado o enfermo, si ha bebido alcohol o si consume drogas o medicamentos que puedan afectar la visión, el juicio o la coordinación.
- Nunca utilice un producto que esté defectuoso.
- Todas las cubiertas y protecciones se deben montar antes del uso. Si se trata de un producto que funciona con gasolina, asegúrese de que el sombrerete de bujía y el cable de encendido estén en perfecto estado para evitar el riesgo de descarga eléctrica.
- El operador de la sopladora se debe asegurar de que ninguna persona o animal se acerque a menos de 15 metros. Cuando varios operadores trabajan en el mismo lugar, se debe establecer una distancia de seguridad de, al menos, 15 metros.
- Nunca permita que los niños utilicen este producto.
- Nunca permita que otras personas utilicen el producto sin asegurarse primero de que han leído y comprendido el contenido del manual de usuario.
- Nunca quite la rejilla de aspiración de aire.
- Nunca toque la bujía ni el cable de encendido mientras el motor está en marcha. Si toca la bujía o el tapón puede estar expuesto a una descarga eléctrica.
- Comuníquese siempre con las autoridades locales y asegúrese de que sigue las directivas aplicables.
- Mantenga todas las partes del cuerpo lejos de las superficies calientes.
- Si se encuentra en una situación en la que no está seguro de cómo proceder, debe preguntarle a un experto. Póngase en contacto con el distribuidor o el taller de servicio. Evite todos los usos que considere que están más allá de su capacidad.
- Mantenga la apertura de la sopladora lo más cerca posible del suelo. Utilice la extensión completa del

tubo de soplado para mantener la corriente de aire cerca del suelo.

- Utilice la máquina durante las horas laborales habituales para evitar causar molestias innecesarias. Evite trabajar temprano durante la mañana o a altas horas de la noche.
- Tenga presente su entorno. Si alguien se acerca a la zona de trabajo, suelte el acelerador/gatillo de alimentación hasta que la persona se encuentre a una distancia segura. Dirija la sopladora lejos de las personas, animales, áreas de juego, ventanas abiertas, vehículos, etc. La fuerza del aire puede provocar que se desprendan o reboten piedras, polvo o ramas, lo que puede causar lesiones en personas o animales, romper vidrios o provocar otros daños.
- Para evitar lesiones graves causadas por el propulsor mientras gira, nunca coloque las manos u otros objetos en la carcasa de la sopladora.
- Mantenga la superficie externa libre de aceite y combustible.
- Nunca use la unidad para esparcir productos químicos, fertilizantes u otras sustancias que puedan contener materiales tóxicos.
- Para evitar la propagación de incendios, no use la unidad cerca de hojas o maleza encendidas, chimeneas, asadores, ceniceros, entre otros.
- Nunca moje ni rocíe el accesorio con agua o cualquier otro líquido.
- Utilice siempre las dos manos para sostener la máquina. Mantenga la máquina a la derecha de su cuerpo.
- Si se trata de un producto que funciona con gasolina, permita que el motor se enfríe antes de recargar combustible.
- Las fuertes corrientes de aire pueden mover objetos a tal velocidad que pueden rebotar y causar lesiones oculares graves.

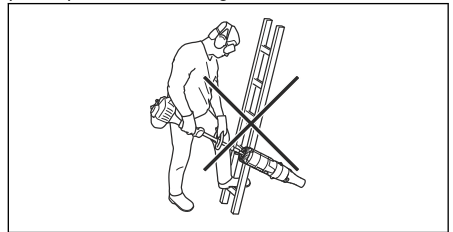


- Detenga el motor antes de montar o desmontar los accesorios u otras piezas.
- No utilice el producto en condiciones climáticas desfavorables, como niebla densa, lluvia intensa, vientos fuertes, frío intenso, entre otras. Trabajar con mal tiempo es agotador y puede crear condiciones peligrosas, por ejemplo, superficies resbalosas.
- Cerciórese de que puede caminar y mantenerse de pie con seguridad. Revise el área a su alrededor para detectar posibles obstáculos (raíces, piedras, ramas, zanjas, etc.) en caso de que tenga que

moverse repentinamente. Tenga sumo cuidado al trabajar en terreno inclinado.



- Nunca deje el producto en el suelo mientras el motor está funcionando, a menos que lo tenga a la vista.
- Si se trata de un producto que funciona con gasolina, los gases de escape del motor contienen monóxido de carbono, lo que puede provocar intoxicación por monóxido de carbono. Por esta razón no debe encender o utilizar el producto en espacios cerrados o en cualquier lugar que posea una ventilación deficiente.
- La sopladora no debe usarse mientras se esté sobre una escalera o un andamio, ni en lugares de altura (como techos). El trabajo en estas condiciones podría provocar lesiones graves.



- No utilice el producto a menos que sea capaz de pedir ayuda en caso de accidente.
- Nunca coloque objetos en la toma de aire, ya que esto podría restringir el flujo de aire adecuado y provocar daños a la unidad.
- Asegúrese de que el producto no golpee alguna cerca, árbol o cualquier material duro. Esto podría causar daños a la máquina y provocar lesiones graves.
- Preste atención a las señales de advertencia o gritos cuando utilice protectores auriculares. Siempre retire sus protectores auriculares en cuanto se detenga el motor.

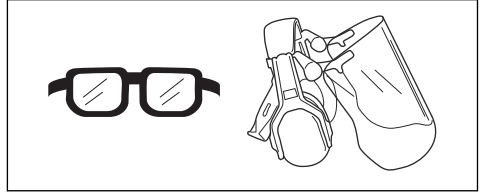
Otra información de seguridad

- Evite las zonas peligrosas: no utilice los aparatos en lugares húmedos o mojados.
- No los utilice bajo la lluvia.
- Mantenga a los niños alejados: se debe mantener alejados a todos los visitantes de la zona de trabajo.
- Utilice la indumentaria adecuada: no use ropa suelta ni joyas. Pueden quedarse atrapadas en las piezas móviles. Se recomienda el uso de guantes de goma

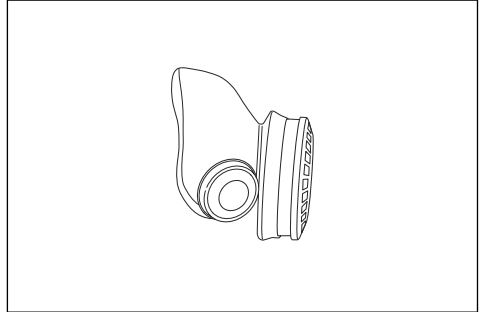
y calzado resistente cuando se trabaja en exteriores. Use un gorro protector para contener el pelo largo.

- Uso de antiparras: utilice siempre protección facial o máscara contra polvo si la operación genera polvo.
- Utilice el aparato de forma adecuada: no utilice el aparato para ningún trabajo que no sea el previsto.
- Evite los arranques accidentales: no transporte el aparato conectado con el dedo sobre el interruptor. Asegúrese de que el interruptor esté apagado antes de conectarlo.
- No fuerce el aparato: obtendrá mejores resultados y menos probabilidades de sufrir lesiones si lo utiliza a la velocidad para la que fue diseñado.
- No se estire demasiado: mantenga una posición y un equilibrio adecuados en todo momento.
- Manténgase alerta: observe lo que hace. Utilice el sentido común. No utilice el aparato si está cansado.
- Almacene los aparatos inactivos en espacios cerrados: cuando no se utilicen, los aparatos se deben almacenar en espacios cerrados, secos, altos o con llave, fuera del alcance de los niños.
- Manipule el aparato con cuidado: mantenga afilado y limpio el borde cortante para obtener un mejor rendimiento y reducir el riesgo de lesiones. Siga las instrucciones de lubricación y cambio de accesorios. Mantenga los mangos secos, limpios y sin grasa ni aceite.
- Revise las piezas dañadas: antes de volver a utilizar el aparato, se debe revisar minuciosamente una protección u otra pieza que presente daños para determinar si funciona correctamente y si sirve para su función prevista. Revise la alineación de las piezas móviles, las uniones de piezas móviles, la rotura de piezas, el montaje y cualquier otra condición que pueda afectar su funcionamiento. Un centro de servicio autorizado debe reparar adecuadamente o reemplazar una protección u otra pieza que presente daños, a menos que en este manual se indique otro lugar.

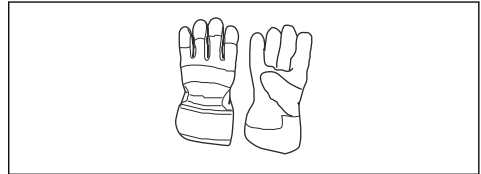
homologadas. Las gafas protectoras homologadas deben cumplir con la norma ANSI Z87.1 de EE. UU. o EN 166 para países de la UE.



- Utilice una protección respiratoria cuando haya riesgo de polvo.



- Utilice guantes cuando sea necesario, por ejemplo, cuando conecte, examine o limpie el equipo.



- Utilice botas o zapatos antideslizantes resistentes.



- Utilice ropa de material resistente. Use siempre pantalones largos y gruesos, y mangas largas. Evite usar ropas holgadas que se puedan enganchar con ramas. No trabaje con joyas, pantalones cortos, sandalias ni con los pies descalzos. Asegure su cabello por encima del nivel de los hombros.

Equipo de protección personal



ADVERTENCIA:

Lea atentamente las instrucciones de advertencia siguientes antes de usar el producto.

- Utilice siempre el equipo de protección personal adecuado cuando use el producto. El equipo de protección personal no puede impedir el riesgo de lesiones, pero disminuirá el grado de lesión si ocurre un accidente. Permita que su distribuidor le ayude seleccionar el equipo adecuado.
- Utilice protectores auriculares aprobados que proporcionen una reducción de ruido adecuada. La exposición prolongada al ruido puede causar la pérdida permanente de la audición.
- Use protección ocular homologada. Si utiliza un visor, también debe usar gafas protectoras

- Mantenga un equipo de primeros auxilios a mano.



Instrucciones de seguridad para el mantenimiento



ADVERTENCIA:

Lea las siguientes instrucciones de advertencia antes de usar el producto.

Realice una inspección general del producto antes de utilizar. Consulte el programa de mantenimiento.

Realice el mantenimiento y siga las instrucciones de servicio descritas en este manual. Especialistas capacitados y calificados deben llevar a cabo algunas medidas de mantenimiento y servicio. Consulte las instrucciones bajo el título Mantenimiento.

Compruebe siempre que no haya objetos que puedan bloquear la rejilla de aspiración de aire antes de comenzar a trabajar.

Para prevenir daños por caídas del producto, el montaje y desmontaje debe realizarse cerca de la superficie del suelo.

GUARDE ESTAS INSTRUCCIONES

Funcionamiento

Para utilizar el accesorio

Nota: Muestre consideración a las personas en su entorno y evite utilizar la máquina en horas inadecuadas, por ejemplo, tarde durante la noche o temprano durante la mañana. Reduzca los niveles de ruido limitando el número de unidades de equipos que se utilizan de manera simultánea. Lea y siga las sencillas indicaciones, de modo que perturbe lo menos posible su entorno.

1. Utilice un rastrillo o un cepillo para despegar los residuos adheridos al suelo.
2. Limpie las esquinas desde la esquina hacia afuera. Esto permitirá evitar la acumulación de desechos que podrían salir eyectados hacia su rostro.
3. Utilice la sopladora a la menor aceleración posible. Rara vez es necesario utilizar la aceleración máxima, y varios procedimientos de trabajo se pueden realizar a una aceleración media. Una aceleración lenta significa menos ruido y menos polvo, y también permite un mayor control de los residuos recogidos o trasladados.
4. Minimice el tiempo de soplado humedeciendo ligeramente las zonas polvorientas o utilizando un equipo de pulverización.
5. Reduzca el consumo de agua mediante el uso de sopladoras en lugar de mangueras para diversos usos en la zona del jardín y el césped, como en enrejados, mamparas, rejillas, porches, entre otros.
6. Tenga cuidado cuando trabaje cerca de plantas. La fuerza ejercida por el aire podría dañar plantas débiles.
7. La velocidad del chorro de aire se regula mediante el acelerador. Seleccione la velocidad más adecuada para las tareas que realizará.
8. Tenga en cuenta la dirección del viento. Trabaje utilizando el viento a su favor para facilitar el trabajo.
9. El uso de la sopladora para mover grandes pilas requiere mucho tiempo y genera ruido innecesario.
10. Mantenga un buen equilibrio y un punto de apoyo firme.
11. Mantenga la separación entre el tubo y el suelo para evitar el contacto con el suelo cuando trabaje con el producto.
12. Limpie después de utilizar. Asegúrese de que no soplar residuos hacia la propiedad de terceras personas. Deseche los residuos en un contenedor de basura.
13. El producto se debe guardar de manera horizontal después de finalizar el trabajo.

Mantenimiento

Introducción

A continuación encontrará algunas instrucciones generales de mantenimiento. Si necesita más información, comuníquese con su taller de servicio.

Para realizar el mantenimiento diario en el accesorio



ADVERTENCIA:

Siempre detenga el motor antes de

realizar cualquier trabajo de limpieza o mantenimiento en el accesorio. Si se trata de un producto que funciona con gasolina, desconecte el cable de encendido de la bujía. Si se trata de un producto que funciona con baterías, quite la batería.



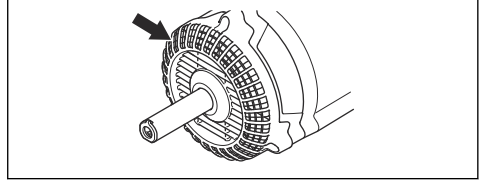
ADVERTENCIA:

Mantenga todas las partes del cuerpo lejos de las superficies calientes.

1. Limpie la superficie exterior de la sopladora.
2. Verifique que las carcasas no tengan grietas.
3. Verifique que el producto se encuentre en perfectas condiciones de funcionamiento.
4. Asegúrese de que todas las tuercas y todos los tornillos estén apretados.
5. Limpie las etiquetas con un paño húmedo con detergente suave.

Para revisar la rejilla de aspiración de aire

1. Verifique cada lado de la máquina, incluida la parte inferior, para asegurar que la toma de aire no se encuentre bloqueada, por ejemplo, por hojas o residuos. Una toma de aire obstruida reduce la capacidad sopladora y aumenta la temperatura de trabajo del motor, lo que puede provocar una falla en el motor. Detenga el motor y retire el objeto.



Transporte, almacenamiento y eliminación de residuos

Transporte y almacenamiento

Lleve a cabo los siguientes pasos después de cada uso:

- Deje que el accesorio se enfríe antes de almacenarlo o transportarlo.
- Guarde la unidad en un lugar alto, seco, fresco y bajo techo, fuera del alcance de los niños.

Almacenamiento de fin de temporada

Prepare el accesorio para guardarlo al final de la temporada o si no se va a utilizar durante 30 días

o más. Si va a guardar el accesorio de la sopladora durante un largo periodo:

- Limpie la unidad.
- Inspeccione el accesorio para verificar que no haya piezas sueltas o dañadas. Apriete los tornillos flojos.
- Cambie todas las piezas dañadas, desgastadas o rotas.
- Al comienzo de la siguiente temporada, use únicamente combustible nuevo que tenga la proporción correcta de nafta y aceite.

Datos técnicos

Datos técnicos para productos que funcionan con gasolina

BA101	
Peso	
Peso, kg/lb	1,9/4,2
Niveles acústicos ¹³	
Nivel de presión acústica equivalente en el oído del operador, medido según las norma EN15503 dB(A)	99

¹³ El nivel de presión acústica equivalente se calcula considerando un ciclo de trabajo de una duración de 1/7 en ralentí y de 6/7 a régimen de embalamiento. Los datos registrados para el nivel de presión acústica equivalente de la máquina tienen una dispersión estadística típica (desviación estándar) de 1 dB (A).

BA101	
Niveles de vibración ¹⁴	
Niveles de vibración equivalentes ($a_{hv,eq}$) en los mangos, medidos según las normas EN 15503, m/s^2	
Mango frontal/trasero:	5,6/8,3
Rendimiento del ventilador ¹⁵	
Velocidad máxima del aire con boquilla estándar, m/s/mpH	66/148
Flujo de aire con boquilla estándar, $m^3/min/cfm$	15/529

Datos técnicos de los productos que funcionan con batería

325iLK + Blower attachment BA101	
Peso	
Peso, kg/lb	2,3/5,1 + 1,9/4,2
Niveles acústicos	
Nivel de presión acústica equivalente en el oído del operador, medido según las normas ISO 26868, dB (A): ¹⁶	
Equipado con un accesorio homologado (original), dB (A)	93
Niveles de vibración ¹⁷	
Niveles de vibración en mangos, medidos según la norma EN 62841-1, m/s^2	
Equipado con un accesorio homologado (original), izquierdo/derecho m/s	1,6/1,1
Rendimiento del ventilador ¹⁸	
Velocidad máxima del aire en modo normal con boquilla estándar, m/s/mpH:	52/117
Flujo de aire en modo normal con boquilla estándar, $m^3/min/cfm$	14/495

¹⁴ El valor del nivel de vibración equivalente se calcula considerando un ciclo de trabajo de una duración de 1/7 en ralentí y de 6/7 a régimen de embalamiento. Los datos informados para nivel de vibración equivalente tienen una dispersión estadística típica (desviación estándar) de 1 m/s^2 .

¹⁵ medido junto con la unidad de motor 525LK/GC2225C.

¹⁶ Los datos registrados para el nivel de presión acústica de la máquina presentan una dispersión estadística típica (desviación estándar) de 3 dB (A) y se midieron con el accesorio original que proporciona el nivel más alto. Medido en conjunto con la unidad motora 325iLK.

¹⁷ Los datos informados en cuanto al nivel de vibración tienen una dispersión estadística típica (desviación estándar) de 2 m/s^2 . Para comparar los niveles de vibraciones de los productos que funcionan a batería y por combustión, utilice la calculadora de vibraciones. Consulte <https://www.husqvarna.com/uk/services-solutions/vibration-calculator/>. Medido en conjunto con la unidad motora 325iLK.

¹⁸ Medido en conjunto con la unidad de alimentación 325iLK.

Sommario

Introduzione.....	26	Manutenzione.....	31
Sicurezza.....	27	Trasporto, stoccaggio e smaltimento.....	32
Utilizzo.....	31	Dati tecnici.....	32

Introduzione

Descrizione del prodotto

Procediamo costantemente allo sviluppo dei nostri prodotti e ci riserviamo quindi il diritto di apportare, senza alcun preavviso, modifiche riguardanti fra l'altro la forma e l'aspetto esteriore.

Nota: Questo manuale tratta unità a benzina e a batteria.

Uso previsto

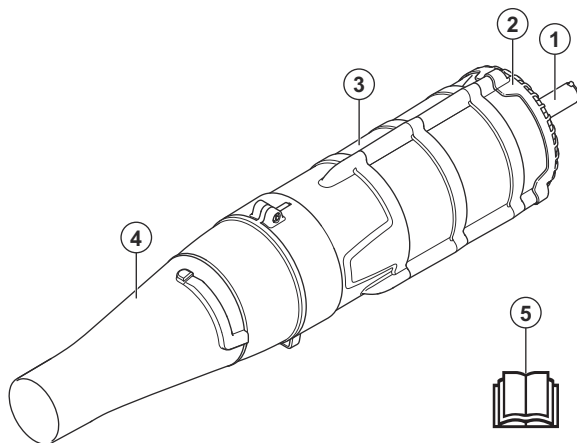


AVVERTENZA:

Questo accessorio può essere utilizzato solo insieme al gruppo di potenza per cui è stato concepito. Vedere il capitolo relativo agli accessori nel manuale operatore del gruppo di potenza.

Questo accessorio è progettato per spazzare prati, vialetti, strade asfaltate e simili.

Panoramica dell'accessorio



1. Albero
2. Retina della presa dell'aria
3. Carter ventola
4. Bocchetta dell'aria
5. Manuale dell'operatore



Prima di usare l'accessorio, leggere attentamente il manuale dell'operatore e accertarsi di averne compreso il contenuto.



Simboli su accessorio e unità:



L'uso negligente o improprio di questo accessorio può provocare lesioni gravi o mortali all'operatore o a terzi.



Utilizzare protezioni approvate per l'udito, gli occhi e la respirazione.



Utilizzare guanti protettivi omologati.



L'operatore del soffiatore deve assicurarsi che non vi siano persone o animali nel raggio di 15 metri. Anche più operatori che lavorino contemporaneamente nello stesso luogo devono mantenere tra loro una distanza di sicurezza non inferiore a 15 metri. Il soffiatore può urtare violentemente oggetti che possono rimbalzare, causando seri danni agli occhi se non vengono usati i dispositivi di sicurezza consigliati.



Il soffiatore può urtare violentemente oggetti che possono rimbalzare, causando seri danni agli occhi se non vengono usati i dispositivi di sicurezza consigliati.



Durante il lavoro l'utilizzatore del prodotto deve accertarsi che non ci siano persone o animali in un raggio di 15 metri.



Pericolo di taglio delle dita o della mano ad opera della pala della ventola. Non aprire o rimuovere le protezioni o le reti di sicurezza mentre il motore è acceso.

Nota: I restanti simboli/decalcomanie applicati sull'accessorio riguardano particolari requisiti necessari per ottenere la certificazione in alcuni mercati.

Sicurezza

Definizioni di sicurezza

Le avvertenze, le precauzioni e le note sono utilizzate per evidenziare le parti importanti del manuale.



AVVERTENZA:

Utilizzato se è presente un rischio di lesioni o morte dell'operatore o di passanti nel caso in cui le istruzioni del manuale non vengano rispettate.



ATTENZIONE:

Utilizzato se è presente un rischio di danni al prodotto, ad altri materiali oppure alla zona adiacente nel caso in cui le istruzioni del manuale non vengano rispettate.

Nota: Utilizzato per fornire ulteriori informazioni necessarie in una determinata situazione.

ISTRUZIONI DI SICUREZZA IMPORTANTI



AVVERTENZA:

Leggere attentamente tutte le avvertenze e le istruzioni di sicurezza. La mancata osservanza delle avvertenze e delle istruzioni può dare luogo a scosse elettriche, incendi e/o gravi lesioni.

LEGGERE TUTTE LE ISTRUZIONI PRIMA DI UTILIZZARE L'APPARECCHIO

Prima di usare il macchinario, leggere attentamente il Manuale dell'operatore e accertarsi di averne compreso il contenuto.



AVVERTENZA:

Per ridurre il rischio di scosse elettriche, non esporre a pioggia - Conservare in ambienti chiusi.

- Non consentire l'utilizzo della macchina come un giocattolo. È necessario prestare la massima attenzione quando viene utilizzata da bambini o in prossimità di questi.
- Utilizzare solo come descritto nel presente manuale.
 - Utilizzare solo gli accessori raccomandati dal costruttore.
- Non utilizzare la macchina quando presenta danni al filo o alla spina. Se l'apparecchio non funziona come dovrebbe, se è stato fatto cadere, presenta danni, se è stato lasciato all'aperto, o è caduto in acqua, portarlo in un centro di assistenza.
- Non toccare la spina o l'apparecchio con le mani bagnate.
- Non inserire alcun oggetto nelle aperture. Non usare la macchina con le aperture ostruite; tenere la macchina libera di polvere, filacci, capelli e tutto ciò che può ridurre il flusso dell'aria.
- Tenere capelli, abiti larghi, dita e tutte le parti del corpo lontano da aperture o parti in movimento.
- Prestare particolare attenzione durante la pulizia sulle scale.
- Non utilizzare la macchina per raccogliere liquidi infiammabili o combustibili, quali benzina, o in aree dove possono essere presenti.

Istruzioni di sicurezza generali



AVVERTENZA:

Leggere le seguenti istruzioni di sicurezza prima di utilizzare l'accessorio.

- Prima di usare l'accessorio, leggere attentamente il manuale dell'operatore e accertarsi di averne compreso il contenuto.
- Per ottenere informazioni complete per l'utente, il presente manuale operatore deve essere letto insieme al manuale operatore del gruppo di potenza.
- Evitare assolutamente di modificare la versione originale dell'accessorio senza l'autorizzazione del fabbricante. Non utilizzare un accessorio che sembra essere stato modificato da altri e utilizzare sempre gli accessori originali. Modifiche e/o accessori non autorizzati possono causare gravi lesioni personali o mortali all'operatore o a terzi.

Istruzioni di sicurezza per l'utilizzo



AVVERTENZA:

leggere le seguenti avvertenze prima di utilizzare il prodotto.

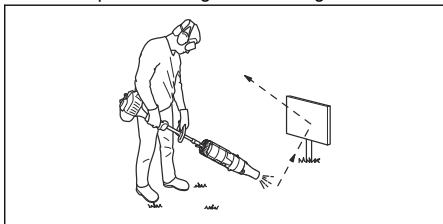


AVVERTENZA:

Durante il funzionamento, questo prodotto genera un campo elettromagnetico. Tale campo può interferire, in alcuni casi, con persone portatrici di impianti medici attivi o passivi. Per ridurre il rischio di condizioni che possono implicare lesioni personali gravi o mortali, i portatori di tali impianti devono consultare il proprio medico e il produttore dell'impianto prima di utilizzare questo prodotto.

- Non utilizzare mai il prodotto in condizioni di stanchezza oppure sotto l'effetto di alcolici, stupefacenti o farmaci in grado di alterare la vista, la capacità di valutazione o la coordinazione.
- Non usare mai un prodotto difettoso.
- Tutti i carter e le protezioni devono essere montati prima dell'avviamento. Se si dispone di un prodotto a benzina, accertarsi che il cappuccio della candela e il cavo di accensione non siano danneggiati per evitare il rischio di scosse elettriche.
- L'operatore del soffiatore deve assicurarsi che non vi siano persone o animali nel raggio di 15 metri. Anche più operatori che lavorino contemporaneamente nello stesso luogo devono mantenere tra loro una distanza di sicurezza non inferiore a 15 metri.
- Non permettere che il prodotto sia utilizzato da bambini.
- Non consentire mai ad altri l'utilizzo del prodotto senza accertarsi che abbiano letto e capito il contenuto del manuale dell'operatore.
- Non rimuovere mai la retina della presa d'aria.
- Non toccare mai la candela o il cavo di accensione mentre il motore è in funzione. Toccare la candela o la spina può provocare una scossa elettrica.
- Verificare con le autorità locali la normativa vigente.
- Tenere le parti del corpo lontano dalle superfici roventi.
- Se si è incerti riguardo a come procedere, rivolgersi a un esperto. Contattare il proprio rivenditore o l'officina di assistenza. Evitare qualsiasi lavoro per il quale non ci si sente sufficientemente qualificati.
- Tenere la bocchetta del soffiatore il più possibile vicino al suolo. Utilizzare l'intera lunghezza del tubo di soffiaggio per tenere il flusso d'aria il più vicino possibile al suolo.

- Utilizzare la macchina durante le normali ore di lavoro per evitare disturbi inutili. Evitare di utilizzare al mattino presto o a notte inoltrata.
- Prestare attenzione all'ambiente circostante. Se qualcuno si avvicina alla zona di lavoro, rilasciare l'acceleratore o la leva di comando fino a quando la persona in questione non è a distanza di sicurezza. Dirigere il soffiatore lontano da persone, animali, parchi giochi, finestre aperte, autovetture ecc. La forza dell'aria può produrre il lancio o il rimbalzo di pietre, rifiuti o rami che possono provocare lesioni a persone o animali, oppure la rottura di vetri o altri danni.
- Non inserire mai le mani o altri oggetti nell'alloggiamento del soffiatore per evitare gravi lesioni causate dalla rotazione della girante.
- Rimuovere dalle superfici esterne eventuali residui di olio e carburante.
- Non usare mai la macchina per spargere sostanze chimiche, fertilizzanti o altre sostanze che potrebbero contenere materiali tossici.
- Per evitare il propagarsi di incendi, non utilizzare il prodotto in prossimità di fuochi accesi con foglie o cespugli, caminetti, barbecue, posacenere, ecc.
- Non bagnare né iniettare nell'accessorio acqua o altri liquidi.
- Tenere sempre la macchina con entrambe le mani. Tenere la macchina lateralmente rispetto al corpo.
- Se si dispone di un prodotto a benzina, lasciare raffreddare il motore prima di effettuare il rifornimento.
- I flussi d'aria hanno un'intensità in grado di spostare gli oggetti a una velocità tale da far sì che possano rimbalzare provocando gravi lesioni agli occhi.



- Spegnerne il motore/motorino prima di montare o smontare gli accessori o altre parti.
- Non utilizzare il prodotto in condizioni di tempo sfavorevoli, ad esempio nebbia, pioggia intensa, vento forte, freddo intenso, ecc. Lavorare con tempo cattivo è spesso stancante e comporta situazioni di rischio, come ad esempio il terreno scivoloso.
- Accertarsi di poter camminare e lavorare in posizione sicura. In caso di spostamenti, controllare che non vi siano ostacoli (ceppi, radici, rami, fossati ecc.) Fare particolare attenzione quando si lavora su terreni in pendenza.



- Non poggiare mai il prodotto a motore/motorino acceso se non lo si può tenere d'occhio.
- Se si dispone di un prodotto a benzina, i gas di scarico del motore contengono monossido di carbonio che può causare avvelenamenti. Per questo motivo, non azionare e non usare mai il prodotto all'interno, o in ambienti con scarsa circolazione dell'aria.
- Non utilizzare il soffiatore su scale o ponteggi o da posizioni elevate (ad esempio, tetti). Simili attività possono comportare lesioni gravi.



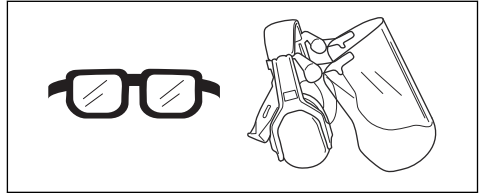
- Non utilizzare il prodotto se non si è certi di poter chiedere aiuto in caso d'infortunio.
- Non inserire mai oggetti nell'apertura della presa d'aria poiché in questo modo si potrebbe limitare il corretto flusso dell'aria e danneggiare l'unità.
- Assicurarsi che il prodotto non colpisca recinzioni, alberi o altri materiali duri. Ciò può provocare danni alla macchina e causare gravi lesioni.
- Far sempre attenzione a segnali di allarme o chiamate quando si utilizzano le cuffie protettive. Togliere sempre le cuffie protettive immediatamente all'arresto del motore/motorino.

Altre informazioni sulla sicurezza

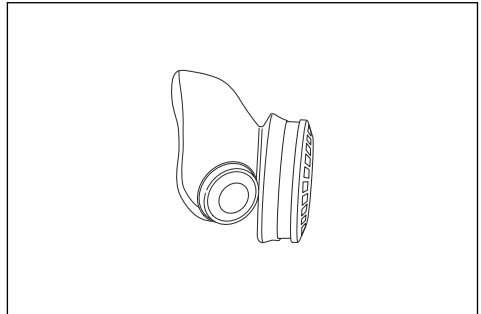
- Evitare ambienti pericolosi: non utilizzare l'attrezzatura in ambienti umidi o bagnati.
- Non utilizzare sotto la pioggia.
- Tenere i bambini lontani: tutti i visitatori devono essere tenuti a distanza dall'area di lavoro.
- Indossare abiti idonei: non indossare abiti troppo ampi o gioielli. Potrebbero rimanere impigliati nelle parti in movimento. L'uso di guanti di gomma e calzature robuste è consigliato quando si lavora all'aperto. Indossare una cuffia protettiva per raccogliere i capelli lunghi.
- Utilizzare occhiali protettivi: utilizzare sempre una mascherina protettiva in ambienti polverosi.

- Utilizzare l'attrezzatura giusta; non utilizzare l'attrezzatura per lavori diversi da quelli per cui è stata progettata.
- Evitare l'avviamento accidentale: non trasportare l'apparecchio collegato alla rete elettrica con il dito sull'interruttore. Accertarsi che l'interruttore sia spento quando si collega l'attrezzatura.
- Non forzare l'attrezzatura: svolgerà meglio il lavoro, con minori rischi di lesioni, se usata alla velocità per cui è stata progettata.
- Non sporgersi: assumere una posizione sicura e mantenere sempre l'equilibrio.
- Prestare attenzione: concentrarsi sull'attività che si sta svolgendo. Usare il buon senso. Non utilizzare l'attrezzatura quando si è stanchi.
- Riporre l'attrezzatura al coperto quando non viene utilizzata; conservarla al chiuso in un luogo asciutto, elevato o chiuso con una serratura, fuori dalla portata dei bambini.
- Effettuare la manutenzione dell'attrezzatura con cautela: mantenere il bordo tagliente affilato e pulito per garantire prestazioni ottimali e ridurre il rischio di lesioni. Seguire le istruzioni per la lubrificazione e la sostituzione degli accessori. Mantenere le mani asciutte, pulite e prive di olio e grasso.
- Controllare le parti danneggiate: prima di continuare a utilizzare l'attrezzatura, controllare attentamente la protezione o un'altra parte danneggiata per stabilire che funzioni correttamente e svolga la funzione per cui è stata concepita. Verificare che le parti in movimento siano allineate e fissate correttamente, che non vi siano parti o supporti rotti e controllare eventuali condizioni che potrebbero comprometterne il funzionamento. Una protezione o un'altra parte danneggiata deve essere adeguatamente riparata o sostituita da un'officina autorizzata salvo diversamente indicato nel presente manuale.

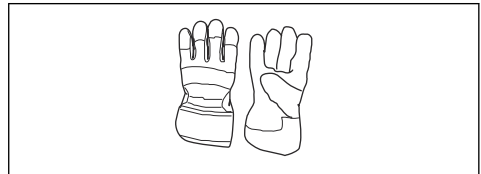
conformi alle norme ANSI Z87.1 per gli USA o EN 166 per i paesi EU.



- Utilizzare mascherine quando esiste il rischio di inalare la polvere.



- Indossare guanti ove necessario, ad esempio per montare, ispezionare o pulire l'attrezzatura.



- Usare scarpe o stivali robusti e antidistrucchio.



- Indossare indumenti di tessuto resistente. Indossare sempre pantaloni lunghi e pesanti e maniche lunghe. Non indossare indumenti larghi che potrebbero impigliarsi nei ramoscelli e nei rami. Non indossare gioielli, pantaloni corti o sandali e non lavorare a piedi nudi. Raccogliere i capelli in modo sicuro sopra le spalle.

Abbigliamento protettivo personale



AVVERTENZA:

leggere le seguenti avvertenze prima di utilizzare il prodotto.

- Usare sempre abbigliamento protettivo personale omologato quando si utilizza il prodotto. L'uso di abbigliamento protettivo personale non elimina il rischio di lesioni, ma ne riduce la gravità in caso di incidente. Farsi consigliare dal rivenditore per la scelta dell'attrezzatura adatta.
- Usare cuffie protettive con effetto insonorizzante adeguato. Una lunga esposizione al rumore può comportare lesioni permanenti all'udito.
- Utilizzare protezioni per gli occhi omologate. Con l'uso della visiera è necessario anche l'uso di occhiali protettivi omologati. Con il termine occhiali protettivi omologati si intendono occhiali che siano

- Tenere a portata di mano il kit di primo soccorso.



Istruzioni di sicurezza per la manutenzione



AVVERTENZA:

Leggere le seguenti avvertenze prima di utilizzare il prodotto.

Eseguire un'ispezione generale del prodotto prima dell'utilizzo. Consultare il programma di manutenzione.

Seguire le istruzioni per la manutenzione e la riparazione indicate nel presente manuale. Alcuni interventi devono essere eseguiti da personale specializzato. Vedere le istruzioni alla sezione Manutenzione.

Verificare che non vi siano oggetti che possano ostruire la retina della presa d'aria prima di iniziare il lavoro.

Al fine di evitare eventuali danni causati dalla caduta del prodotto, il montaggio e lo smontaggio devono essere eseguiti in prossimità del pavimento.

CONSERVARE LE PRESENTI ISTRUZIONI

Utilizzo

Utilizzo dell'accessorio

Nota: Rispettare l'ambiente circostante evitando di usare la macchina ad orari inadeguati, ad esempio la sera o la mattina presto. Riduce il livello di rumore limitando il numero di unità dell'attrezzatura utilizzate contemporaneamente. Leggere e seguire le semplici istruzioni elencate qui di seguito per disturbare il meno possibile l'ambiente che vi circonda.

1. Usare un rastrello o una scopa per staccare dal suolo il materiale incastrato.
2. Pulire gli angoli partendo dai bordi e spostandosi verso l'esterno. In questo modo si evita di ammassare detriti che potrebbero venire sollevati e scagliati sul viso.
3. Usare il soffiatore con l'accelerazione o la velocità minima possibile. Sono rari i casi in cui è necessario usare il prodotto a pieno regime o con l'acceleratore al massimo e molte procedure di lavoro possono essere eseguite con un'accelerazione/velocità media. Un'accelerazione/velocità moderata implica un minor livello di rumore e di polvere e consente inoltre maggior controllo sul materiale da raccogliere/spostare.
4. Ridurre al minimo il tempo di soffiatura inumidendo leggermente le aree polverose o utilizzando l'attrezzatura spray.
5. Ridurre il consumo di acqua utilizzando soffiatori al posto di tubi dell'acqua per differenti applicazioni, intorno al prato e al giardino, come graticci, protezioni, griglie, verande ecc.
6. Fare attenzione quando si lavora nelle vicinanze di piante. La forza dell'aria può danneggiare le piante meno resistenti.
7. La velocità del getto d'aria si regola con l'acceleratore o la leva di comando. Selezionare la velocità più adatta all'applicazione specifica.
8. Tenere in considerazione la direzione del vento. Evitare di lavorare controvento per alleggerire le operazioni.
9. Evitare di spostare masse voluminose con l'uso del soffiatore: è un'operazione lunga ed inutilmente rumorosa.
10. Mantenere una posizione ben salda ed equilibrata.
11. Mantenere una distanza adeguata tra il tubo e il pavimento per evitare il contatto con il suolo quando si lavora con il prodotto.
12. Ripulire la zona di lavoro dopo l'operazione e accertarsi di non aver spinto parte del materiale in zone di proprietà privata. Gettare i rifiuti in un cassonetto.
13. Al termine del lavoro, riporre il prodotto in posizione orizzontale.

Manutenzione

Introduzione

Seguono alcuni consigli di manutenzione. Se avete bisogno di ulteriori informazioni contattate il servizio di assistenza.

Manutenzione giornaliera del prodotto



AVVERTENZA:

Arrestare sempre il motore/motorino prima di pulire l'accessorio o effettuare la manutenzione. Se si dispone di un prodotto azionato a benzina, scollegare il cavo di accensione dalla candela. Se si dispone di un prodotto azionato a batteria, rimuovere la batteria.



AVVERTENZA:

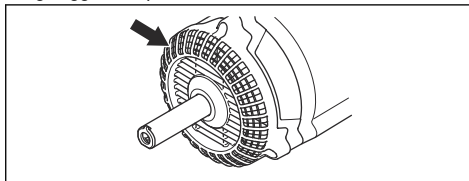
Tenere le parti del corpo lontano dalle superfici roventi.

1. Pulire la superficie esterna del soffiatore.
2. Assicurarsi che l'intero alloggiamento sia privo di crepe.
3. Assicurarsi che il prodotto sia in perfette condizioni.

4. Assicurarsi che i dadi e le viti siano serrati correttamente.
5. Pulire le etichette con un panno umido imbevuto di detergente delicato.

Controllo della retina della presa dell'aria

1. Controllare che la presa d'aria non sia intasata sui lati e nella parte inferiore da foglie, sporcizia ecc. Una presa d'aria intasata riduce la capacità di soffiaggio del prodotto e aumenta la temperatura di lavoro del motore/motorino, con conseguenti danni agli stessi. Spegnerne il motore/motorino e rimuovere gli oggetti in questione.



Trasporto, stoccaggio e smaltimento

Trasporto e rimessaggio

Eseguire le seguenti operazioni dopo ciascun utilizzo:

- Fare raffreddare l'accessorio prima di riporlo o trasportarlo.
- Conservare in un locale fresco, secco, al coperto e in una posizione elevata, fuori dalla portata dei bambini.

Conservazione stagionale

Preparare l'accessorio prima di riporlo alla fine della stagione o se non si prevede di utilizzarlo per 30

giorni o più. Se non si intende utilizzare l'accessorio del soffiatore per un lungo periodo di tempo:

- Pulire l'unità.
- Controllare che nell'accessorio non vi siano parti allentate o danneggiate. Serrare eventuali viti allentate.
- Sostituire eventuali parti danneggiate, usurate o rotte.
- All'inizio della stagione successiva, utilizzare solo benzina nuova alla concentrazione corretta.

Dati tecnici

Dati tecnici dei prodotti a benzina

BA101	
Peso	
Peso, lb/kg	4,2/1,9
Livelli di rumorosità¹⁹	
Livello di pressione acustica equivalente, all'udito dell'utente, misurato secondo EN15503 dB(A)	99

¹⁹ Il valore del livello di pressione acustica equivalente viene calcolato con un ciclo di lavoro della durata di 1/7 al minimo e 6/7 in velocità. I dati riportati per il livello di pressione acustica equivalente del macchinario hanno una dispersione statistica tipica (deviazione standard) di 1 dB (A).

BA101	
Livelli di vibrazioni ²⁰	
Livelli di vibrazione equivalenti ($a_{hv,eq}$) sulle impugnature, misurati in base alle norme EN 15503, m/s^2 :	
Impugnature anteriori/posteriori:	5,6/8,3
Prestazioni della ventola ²¹	
Velocità massima dell'aria con bocchetta standard, mph / m/s:	148/66
Flusso d'aria con bocchetta standard, cfm / m^3/min	529/15

Dati tecnici dei prodotti a batteria

325iLK + Blower attachment BA101	
Peso	
Peso, lb/kg	5,1/2,3,+4,2/1,9
Livelli di rumorosità	
Livello di pressione acustica rispetto all'udito dell'operatore, misurato in base alle norme ISO 26868, dB(A) ²²	
Accessorio approvato (originale) in dotazione, dB (A)	93
Livelli di vibrazioni ²³	
Livelli di vibrazioni delle impugnature, misurati in base alla norma EN 62841-1, m/s^2	
Accessorio approvato (originale) in dotazione, sinistra/destra m/s	1,6/1,1
Prestazioni della ventola ²⁴	
Velocità massima dell'aria in modalità normale con ugello standard, mph / m/s:	117/52
Flusso d'aria con ugello standard in modalità normale, cfm / m^3/min	495/14

²⁰ Il valore del livello di vibrazioni equivalente viene calcolato con un ciclo di lavoro della durata di 1/7 al minimo e 6/7 in velocità. I dati riportati per il livello di vibrazioni equivalente hanno una dispersione statistica tipica (deviazione standard) di 1 m/s^2 .

²¹ Misurazione effettuata insieme con il gruppo motore 525LKG/GC2225C.

²² I dati riportati relativi al livello di pressione acustica della macchina hanno una tipica dispersione statistica (deviazione standard) di 3 dB (A) e sono stati misurati con il gruppo di taglio originale che fornisce il massimo livello. Misurazione effettuata insieme al gruppo motore 325iLK.

²³ I dati riportati per il livello di vibrazioni presentano una dispersione statistica tipica (deviazione standard) di 2 m/s^2 . Per il confronto dei livelli di vibrazioni, della batteria e dei prodotti a combustione, utilizzare il calcolatore delle vibrazioni. Fare riferimento al sito Web <https://www.husqvarna.com/uk/services-solutions/vibration-calculator/>. Misurazione effettuata insieme al gruppo motore 325iLK.

²⁴ Misurazione effettuata insieme al gruppo di potenza 325iLK.



FR

Cet appareil,
ses cordons,
et batterie
se recyclent

À DÉPOSER
EN MAGASIN

OU

À DÉPOSER
EN DÉCHÈTERIE

Points de collecte sur www.quefairedemesdechets.fr
Privilégiez la réparation ou le don de votre appareil !

Husqvarna®

www.husqvarna.com

Original instructions
Оригинални инструкции
Původní pokyny
Originale instruktioner
Originalanweisungen
Αρχικές οδηγίες
Instrucciones originales
Originaaljuhend

Alkuperäiset ohjeet
Instructions d'origine
Eredeti útmutató
Originalios instrukcijos
Instructions d'origine
Instrucciones originales
Istruzioni originali

Lietošanas pamācība
Originale instructies
Originale instruksjoner
Oryginalne instrukcje
Instruções originais
Instrucțiuni inițiale
Оригинальные инструкции
Pôvodné pokyny
Izvirna navodila
Bruksanvisning i original
Orijinal talimatlar
原始说明



FR

1156888-38



2022-05-31